

Aleo Thermostatic Exposed Shower Valve

72352D

Product Description: Aleo thermostatic exposed shower valve

Colour/Finish: Polished Chrome

Material: Brass Body

Minimum Pressure: 0.5 bar

Product Weight (kg): 2.7

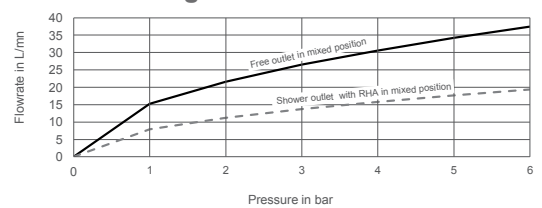
Fixings Included: Yes

Guarantee (Years): 5

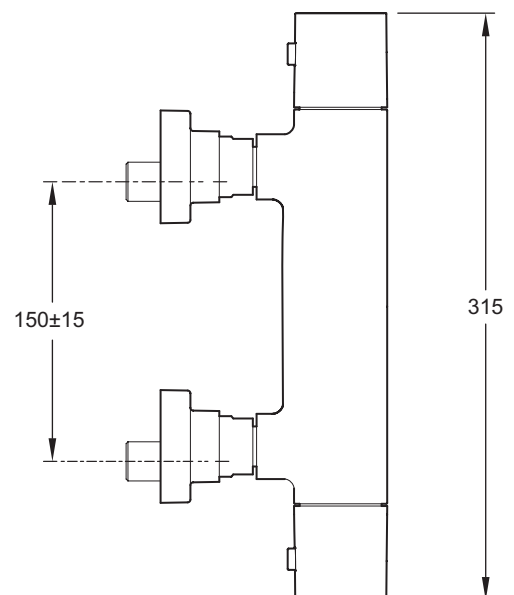
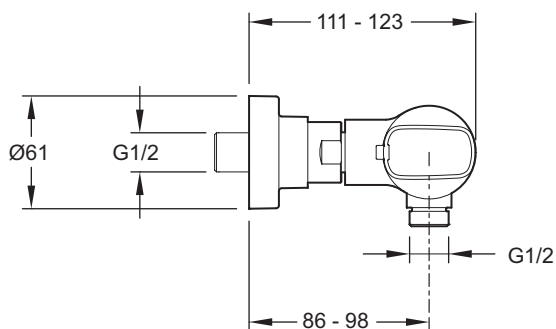
Additional Information: KOHLER® finishes resist corrosion and tarnishing, whilst solid brass construction ensures durability and reliability.



Flow Diagram



Dimensions (mm)



kiwa