



15" top-mount single-bowl bar sink **B153-2**

Features

- Two faucet holes
- 5-1/2" (140 mm) depth
- 3-5/8" (92 mm) drain opening
- Stainless steel with luster finish

Material

- Premium 20-gauge stainless steel

Installation

- Top-mount

Recommended Products/Accessories

K-23726 Drain treatment

K-23729 Stainless steel cleaner

Optional Products/Accessories

7400 Stainless Steel Sink Drain and Strainer



Codes/Standards

ASME A112.19.3/CSA B45.4

ICC/ANSI A117.1

STERLING® Stainless Steel Sinks

Lifetime Limited Warranty

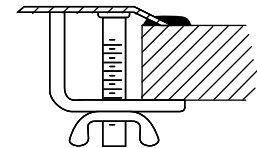
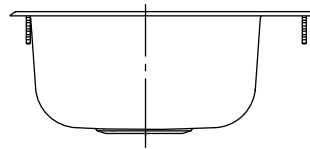
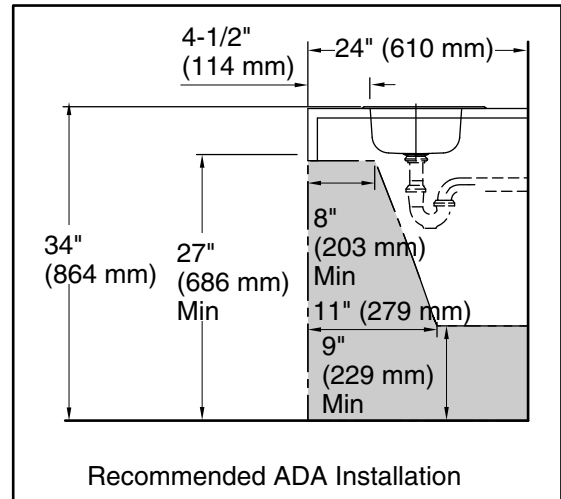
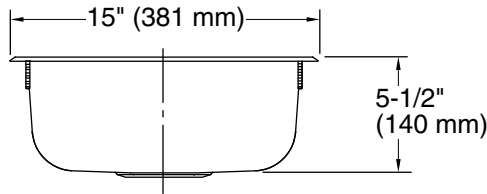
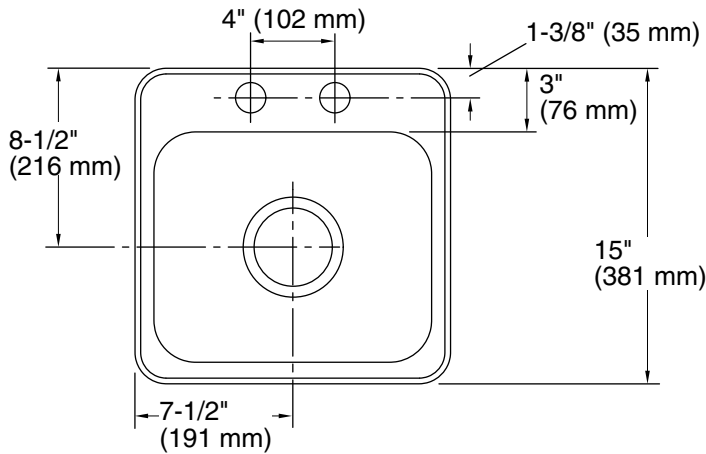
See website for detailed warranty information.

1-800-STERLING (1-800-783-7546)

Kohler Co. reserves the right to make revisions without notice to product specifications.

For the most current Specification Sheet, go to www.sterlingplumbing.com.

3-6-2026 22:56 - US/CA



Stud Mounting Provides Easy Installation

Technical Information

All product dimensions are nominal.

- Basin configuration: Single Bowl
- Bowl area (Only): Length: 13-1/4" (337 mm)
Width: 11" (279 mm)
Bowl depth: 5-9/16" (141 mm)
Water depth: 5-9/16" (141 mm)
- Number of deck holes: 2
- Faucet hole(s): 1-7/16" (37 mm)
- Drain hole: 3-3/4" (94 mm)

Notes

Install this product according to the installation instructions.