



## 15" top-mount single-bowl bar sink **B155-1**

### Features

- One faucet hole
- 5-1/2" (140 mm) depth
- 2" drain opening
- Stainless steel with luster bowl finish and a satin deck finish

### Material

- Premium 20-gauge stainless steel

### Installation

- Top-mount

### Recommended Products/Accessories

- K-23726 Drain treatment
- K-23729 Stainless steel cleaner



**ADA**

### Codes/Standards

ASME A112.19.3/CSA B45.4  
ADA  
ICC/ANSI A117.1

### **STERLING® Stainless Steel Sinks Lifetime Limited Warranty**

See website for detailed warranty information.

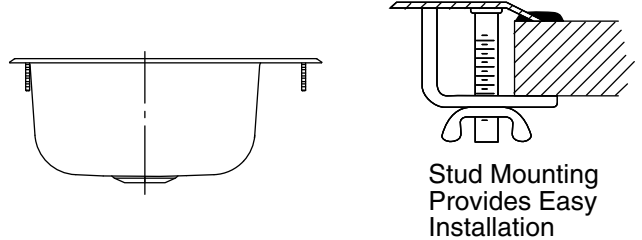
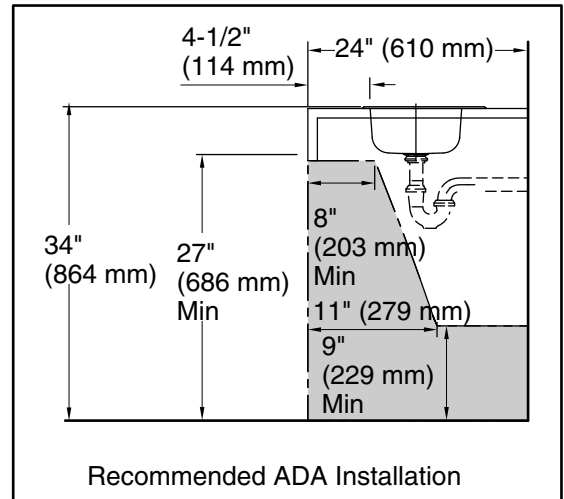
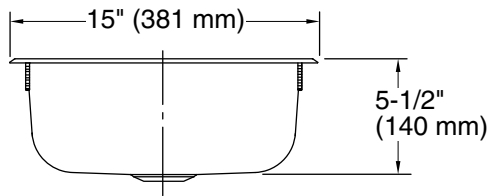
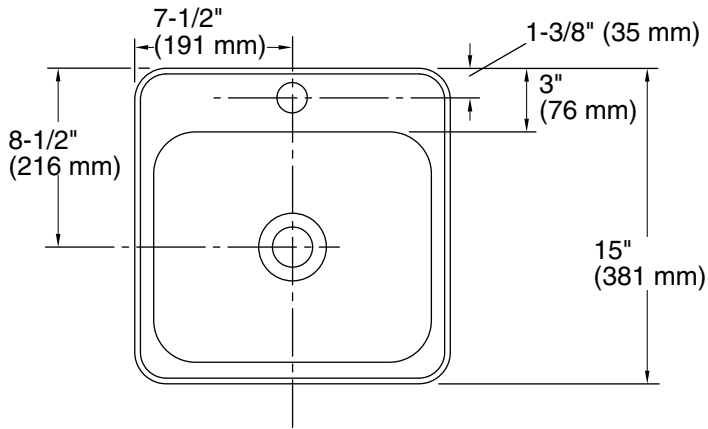
---

1-800-STERLING (1-800-783-7546)

Kohler Co. reserves the right to make revisions without notice to product specifications.

For the most current Specification Sheet, go to [www.sterlingplumbing.com](http://www.sterlingplumbing.com).

3-15-2026 20:04 - US/CA



**Technical Information**

All product dimensions are nominal.

- Basin configuration: Single Bowl
- Bowl area (Only): Length: 13-1/4" (337 mm)  
Width: 11" (279 mm)  
Bowl depth: 5-9/16" (141 mm)  
Water depth: 5-9/16" (141 mm)
- Number of deck holes: 1
- Faucet hole(s): 1-7/16" (37 mm)
- Drain hole: 1-15/16" (49 mm)

**Notes**

- Install this product according to the installation instructions.
- ADA compliant when installed to the specific requirements of these regulations.