

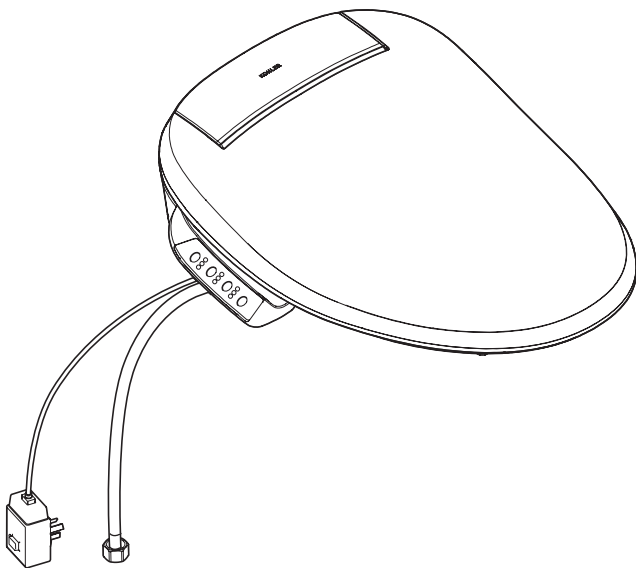
Installation Guide

安装说明

Smart Seat

清舒宝智能便盖

C3-400 系列



科勒（中国）投资有限公司

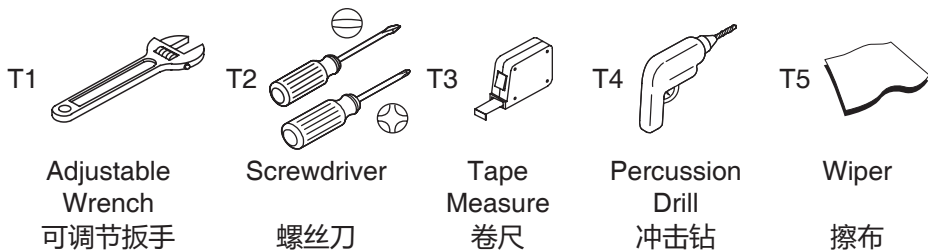
中国上海市静安区江场三路 158 号 邮编：200436

制造商：上海科勒电子科技有限公司

中国上海市宝山区丰翔路 1955 号 邮编：200444

KOHLER®

TOOLS AND MATERIALS / 工具和材料



BEFORE INSTALLATION / 安装之前

Warning / 警告:

- Risk of electrical shock, fire or personal injury. This product must be grounded safely. For the Chinese version, connect only to dedicated 220V~, 50Hz, 10A circuit protected by Ground-Fault Circuit-Interrupters (GFCI's) or Earth-Leakage Circuit-Breakers (ELCB's). For other country's version, refer to Table 1 of the Installation Guide.

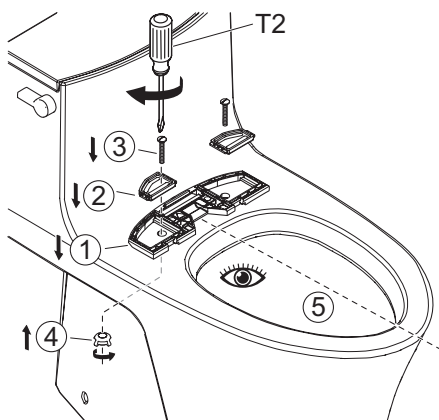
触电，火灾或人身伤害的危险。本产品必须安全接地。中国版只能连接到专用的 220V~，50Hz，10A 带接地故障断路器或接地漏电保护器的电路中。其它国家版根据安装说明书表 1。

- Risk of product damage. Do not plug in the power cord before all other installation steps have been completed.
产品损伤的危险。在所有其他安装步骤结束之前不要插电源线插头。
- Observe all local plumbing and building codes.
遵守所有当地的管道和建筑标准。
- Do not use an extension cord with the product.
不要使用延长电线连接产品。

Attention / 注意:

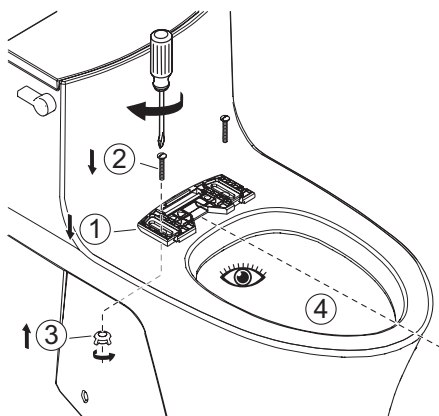
- Risk of product or property loss. Water leakage may happen if the water pipe connector is pulled or pushed with excessive force.
产品损坏或财产损失的风险。硬推、硬拉水管接头可能造成水渗漏。
- Risk of product damage. The product may be damaged if applying excessive force to the nozzle.
产品损坏的风险。不要在喷嘴上施加过大的力，否则产品可能损坏。
- Risk of product damage. Be careful to align the thread when connecting the inlet pipe. Otherwise, it may damage the thread of the product water inlet and cause leakage.
产品损坏的风险。连接本产品进水管时要小心对正螺纹，否则会损坏产品进水口螺纹，造成漏水。
- Min water pressure 0.07MPa (dynamic pressure)
Max water pressure 0.74MPa.
最小进水压力为 0.07MPa (动压)
最大进水压力为 0.74MPa。
- If this product will not be used for a long time, please unplug the unit and drain the water inside.
如果产品长时间不用，请拔下插头并排干本机里的水。
- When installing the product in a room, a water inlet angle valve shall be installed in a close proximity. For emergency circumstances, the water inlet valve can be turned off without using any tools; otherwise unexpected failure may cause the loss to the customer.
在安装本产品的同一房间中，需要在触手可及的位置安装一个进水角阀，用于紧急情况下，无需借助工具即可切断本产品的进 waters 水路；否则本产品的意外故障可能会导致用户损失。

INSTALL MOUNTING PLATE / 安装安装板



K-22445T-0
K-26132T-0
K-26134T-0

Installation method A / 安装方式 A



K-22445T-HC-0
K-26132T-HC-0
K-26134T-HC-0

Installation method B / 安装方式 B

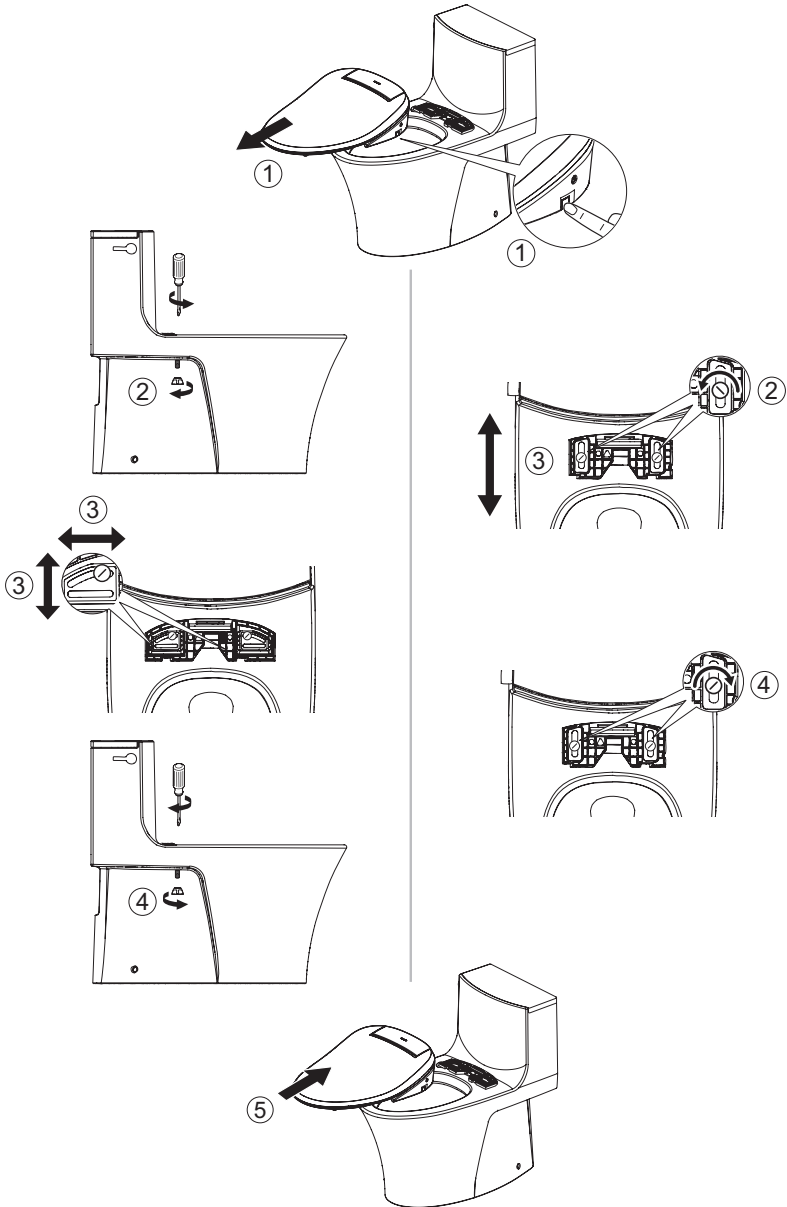
Note: Adjust the mounting plate (Stick the other anti-slide strip provided in the accessory kit onto the one already stuck on as needed). It fits various bidets, making the gap in-between uniform and the mounting plate easy to install.

注: 调整安装板 (在已有防滑条上, 适当黏贴备用防滑条, 附件包提供), 可适配不同坐便器, 使之与座便盖间隙均匀, 易于安装。

ADJUST BIDET SEAT / 调整便盖位置

Installation method A / 安装方式 A

Installation method B / 安装方式 B



CONNECT WATER AND POWER SUPPLY / 连接供水供电

Important! First water, then power.

重要! 先通水，后通电。

Important! Risk of product damage. Carefully align the thread of inlet pipe with that of the bidet seat. Do not break the threads or overtighten the joint. To fix the joint, tighten it with your hands and twist it a 1/4 turn with a tool.

重要! 产品损坏的风险。小心对正进水管与便盖的螺纹，不要破坏螺纹或过于拧紧接头。为了拧紧接头，用手拧紧后用工具再拧紧 1/4 圈。

■ Directly connect the tee joint with the bidet seat and the inlet pipe.

Attention! For newly installed piping systems, before connecting the inlet hose to the tee joint, the system must directly drain water for several seconds to remove sand and dirt from the pipeline.

直接将三通与便盖、进水管口连接。

注意! 对新安装的管路系统，在将进水软管连接至三通以前，须直接排水数秒，以清除管道内沙石、污垢等。

■ Use the hose provided to connect the tee joint and the bidet seat.

Attention! It is required to use the new hose assembly attached with the appliance. Do not re-use the old one.

用提供的软管连接三通和便盖。

注意! 必须使用随器具附带的新软管组件，旧软管组件不能重复使用。

■ Tighten all connectors.

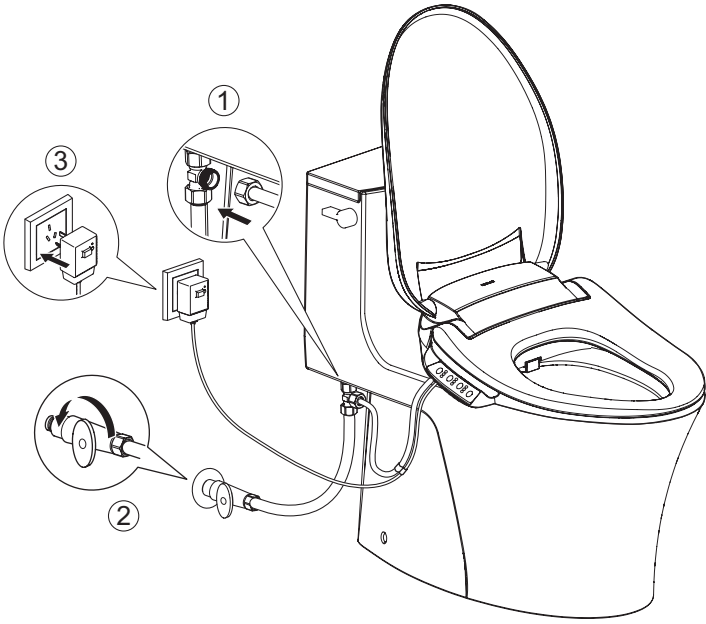
拧紧各处接口。

■ Open the water supply system.

Attention! Be sure to thoroughly rinse the water supply pipe to remove impurities from the pipeline. Use drinkable tap water as the water source. Do not use industrial water, wastewater, sewage or sea water.

打开供水系统。

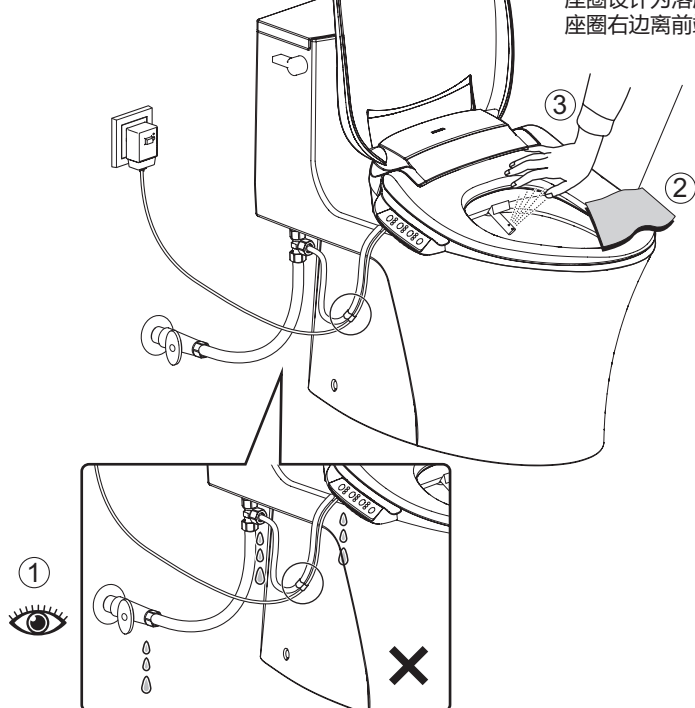
注意! 一定要先彻底冲洗进水管以清除管道中的杂质，使用水源为饮用自来水，切勿使用工业用水、废水、污水以及海水。



INSTALLATION INSPECTION / 安装检查

The seat is designed to be seat-on detection mode. A wet towel shall be placed on the right of the seat at the 1/3 position away from the front end (sensing area).

座圈设计为落座感应模式。湿毛巾应放在座圈右边离前端大约1/3之处(感应区域)。



- Plug power cord into socket. Bidet seat generates one short beep, wand extends and retracts once, and the indicator on the side panel blinks until initialization completes.

当电源线插上电源插座，便盖发出短蜂鸣1次，喷管伸缩1次，侧键盘上指示灯闪烁，直至初始化结束。

- Turn on this product according to the “PREPARATIONS BEFORE INITIAL OPERATIONS” section of the Homeowners Guide.

按用户手册的“初次使用前准备”章节开启产品。

- Continue to read the “USE GUIDE” section of the Homeowners Guide to test functions of this product.

继续参考用户手册中的“使用指导”部分来测试产品的不同功能。