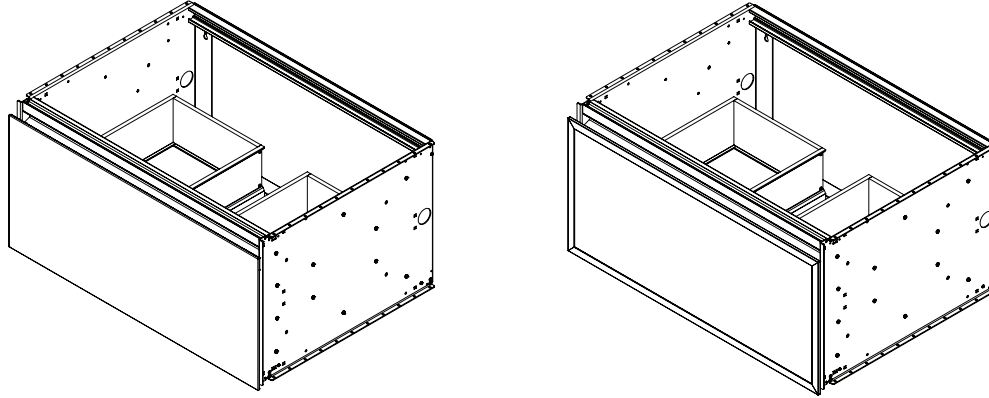


**Important safety instructions - Save these instructions**



**Side Kits sold separately**

## CONTENTS

Installation Instructions - **1**

Model Numbers - **2**

Parts and Optional Accessories - **3 & 4**

Dimensions - **5**

Blocking Dimensions - **6**

Electric Option Rough-in - **7**

Frame Installation - **8 & 9**

Stacking Kit - **10**

Optional Ganging Kit - **11**

Alcove and Corner Installations - **12**

Optional Side kit / Optional Selectable Night Light - **13**

Accessory Installation - **14**

Optional Slim Drawer Insert - **15**

Drawer Installation - **16, 17, & 18**

Use and Maintenance / Warranty - **19**

Français / Español - **20**

## INSTALLATION INSTRUCTIONS

This instruction manual contains information on how to install the 15" high Cartesian Vanity, and Profiles Vanity. This series comes in several sizes and variations. Electrical option(s) may be provided with your vanity(s). The vanity series is modular and can be mounted individually, ganged or stacked together.

This vanity series needs special site preparation. Do not install vanities until all framing, plumbing and electrical option rough-ins have been completed and wall surface has been finished. We recommend using the services of a professional installer. Observe all local building codes.

Save these instructions for future use and reference. An improper installation voids the warranty. Installed vanities cannot be returned.

If you experience any problems with your vanities, contact your dealer or Robern directly.

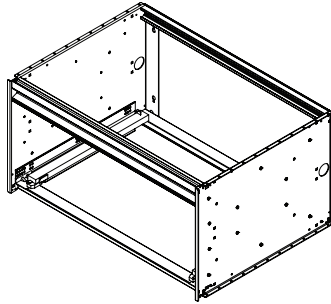
Limited Warranty — One Year Term

# MODEL NUMBERS

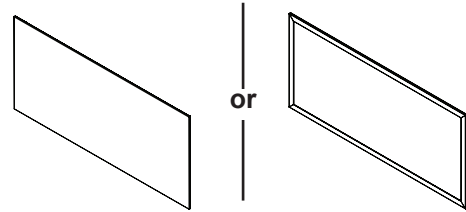
Use the chart Below to learn how to build a Cartesian and Profiles Model number. This chart references the model number for a 24" W x 15" H x 21" D vanity with plumbing drawer and night light. Consult the Robern Price Book for a complete list of model numbers.

Model Numbers	V	M	24	H2	D21	P	##	L
<b>Category</b>	V = Vanity							
<b>Product</b>	M = Cartesian P = Profiles							
<b>Width</b>	12 = 12 1/8" / 308 mm 24 = 24 1/8" / 613 mm 30 = 30 1/8" / 765 mm 36 = 36 1/8" / 918 mm							
<b>Height</b>	H1 = 7.5" / 191mm H2 = 15" / 381mm							
<b>Depth</b>	D18 = 18-3/4" / 476mm D21 = 21-3/4" / 552 mm							
<b>Drawer Style</b>	P = Plumbing F = Full T = Tip							
<b>Glass Finish</b>	## = Decorative glass							
<b>Light</b>	N = Base L = 5000 Kelvin Night Light (Cartesian only) S = Selectable 2700 / 4000 Kelvin Night Light							
<b>Metal Frame Finish</b>	Blank = Cartesian 76 = Chrome (Profiles only) 77 = Polished Nickel (Profiles only) 82 = Matte Gold (Profiles only) 83 = Matte Black (Profiles only)							

# PARTS

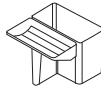
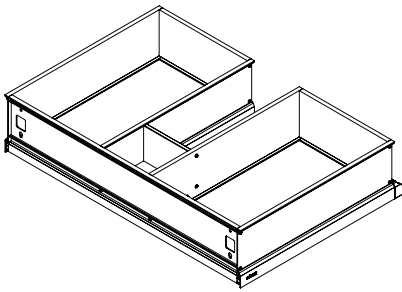


(1) 12", 24", 30", or 36" frame - 30" shown here



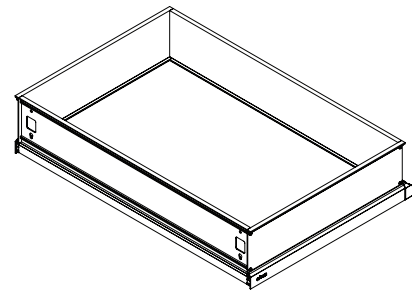
(1) Drawer front

24", 30", or 36" Plumbing Drawer

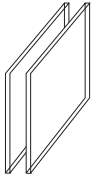


[202-1179]  
(1) Glass Center Bin

12", 24", 30", or 36" Full Drawer



[225-1039] = 24" [225-1040] = 30" [225-1041] = 36"  
Divider Set Plumbing Drawer



Divider Glass

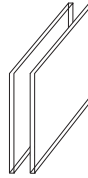


[211-1073]  
(4) Divider Clip



[211-1098]  
(4) Divider Clip Shoe

[225-1042]  
Divider Set Full Drawer  
Tiroir plein diviseur  
Divisor de cajón completo



Divider Glass



[211-1073]  
(4) Divider Clip



[211-1098]  
(4) Divider Clip Shoe

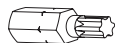
[216-1073]  
Mounting Hardware Bag



[203-1256]  
(4) 5/16" x 2-1/2"  
Structural Bolt



[SS674]  
(5) #10 x 2" Screw



[203-1270]  
T-30 Driver

[216-1145]  
Stacking Hardware Bag



[203-1317]  
(4) 10-32 Nut



[SS268]  
(4) 10-32 Screw



[203-1390]  
(4) #10 Washer

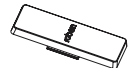
[216-1074]  
Drawer front Hardware Bag



[203-1219]  
(4) #8-32 x 1/2" Screw



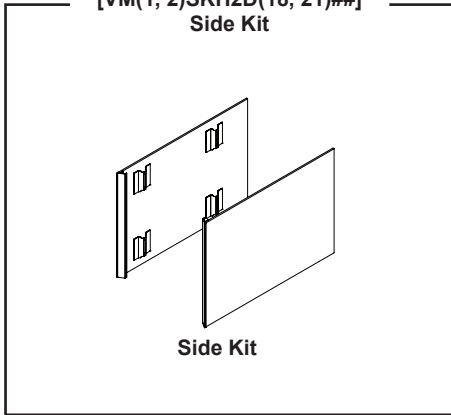
[203-1198]  
(4) Washer



[211-1095]  
(2) Screw cover

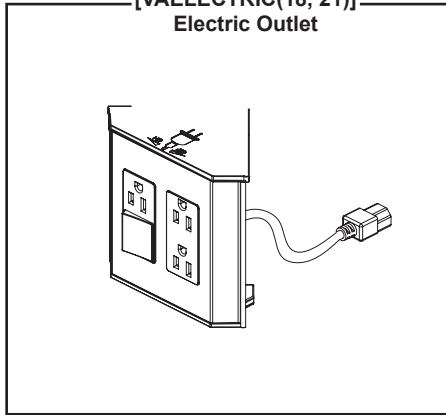
# OPTIONAL ACCESSORIES

[VM(1, 2)SKH2D(18, 21)##]  
Side Kit



Side Kit

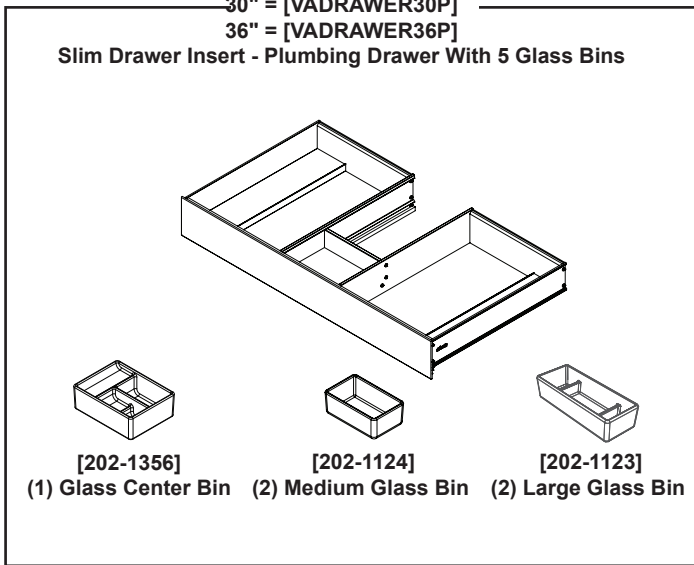
[VAELECTRIC(18, 21)]  
Electric Outlet



[VAHAIRORG]  
Hair Organizer



24" = [VADRAWER24P]  
30" = [VADRAWER30P]  
36" = [VADRAWER36P]  
Slim Drawer Insert - Plumbing Drawer With 5 Glass Bins



[202-1356]

(1) Glass Center Bin

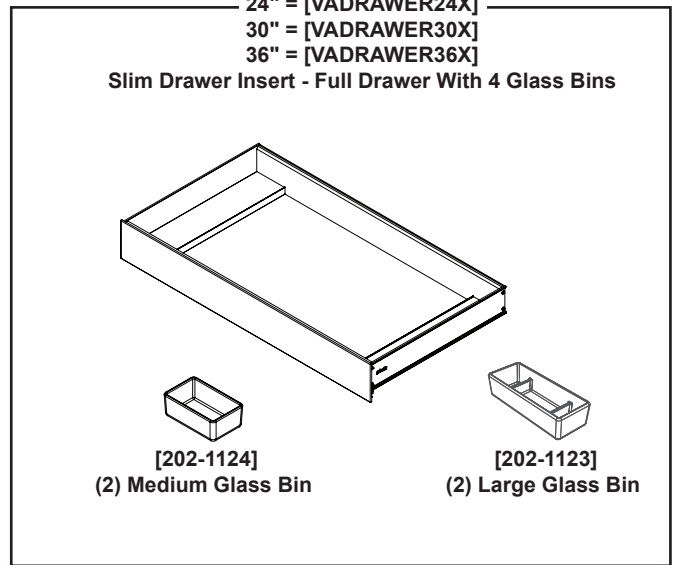
[202-1124]

(2) Medium Glass Bin

[202-1123]

(2) Large Glass Bin

12" = [VADRAWER12X]  
24" = [VADRAWER24X]  
30" = [VADRAWER30X]  
36" = [VADRAWER36X]  
Slim Drawer Insert - Full Drawer With 4 Glass Bins



[202-1124]

(2) Medium Glass Bin

[202-1123]

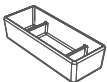
(2) Large Glass Bin



[GLASSBIN6.38]  
Glass Center Bin

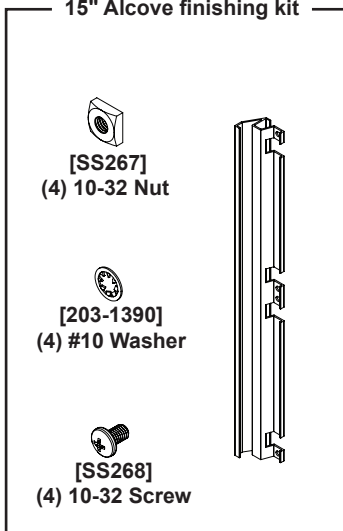


[GLASSBIN5.25]  
Medium Glass Bin



[GLASSBIN8.5]  
Large Glass Bin

[VMAKITH2]  
15" Alcove finishing kit

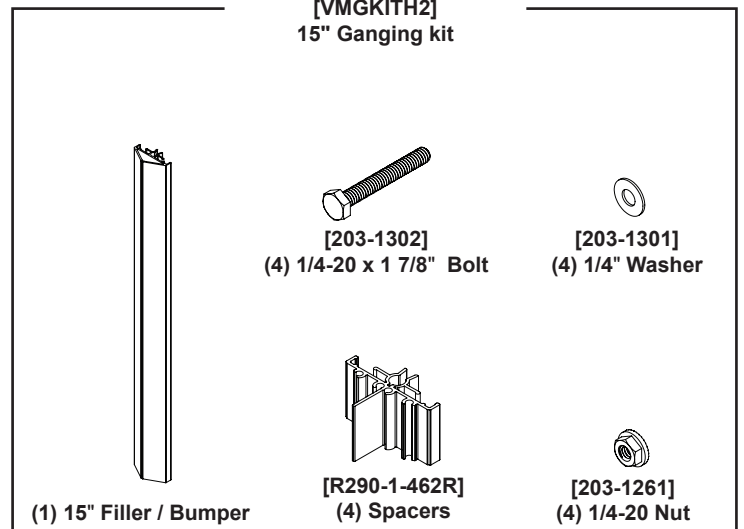


[SS267]  
(4) 10-32 Nut

[203-1390]  
(4) #10 Washer

[SS268]  
(4) 10-32 Screw

[VMGKITH2]  
15" Ganging kit



(1) 15" Filler / Bumper

[203-1302]  
(4) 1/4-20 x 1 7/8" Bolt

[203-1301]  
(4) 1/4" Washer

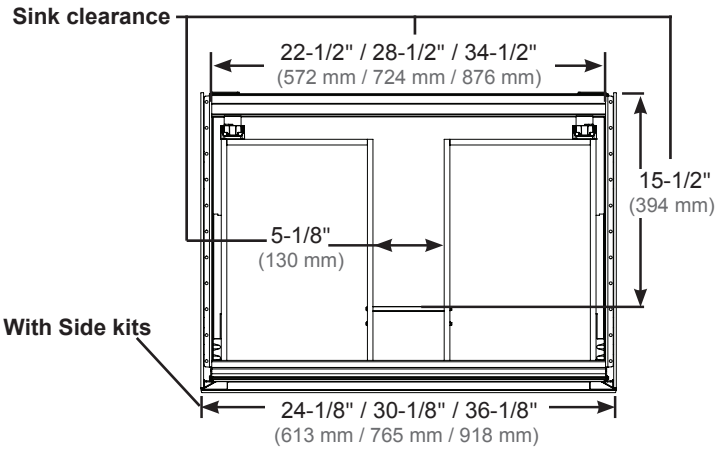
[R290-1-462R]  
(4) Spacers

[203-1261]  
(4) 1/4-20 Nut

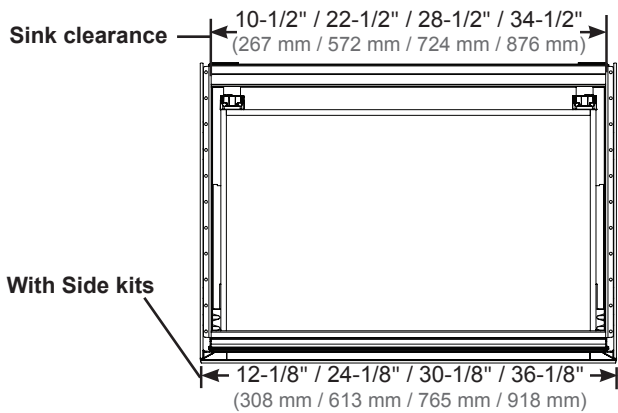


# DIMENSIONS

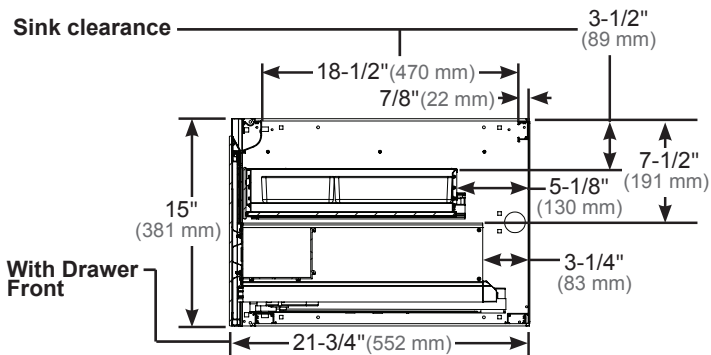
## D21



**D21 Top View - Section with Plumbing Drawer**

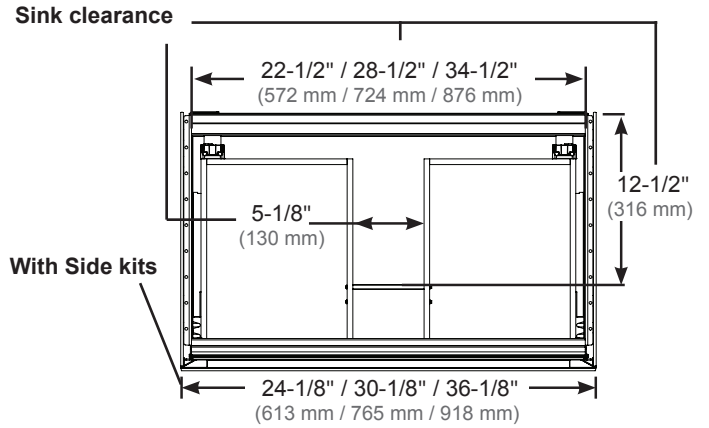


**D21 Top View - Section with Full Drawer**

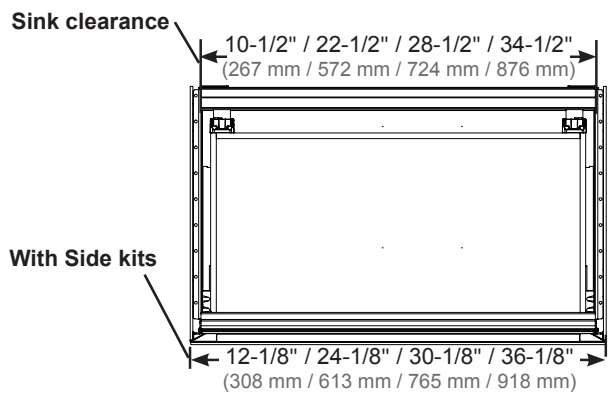


**D21 Cross-section with VADRAWER**

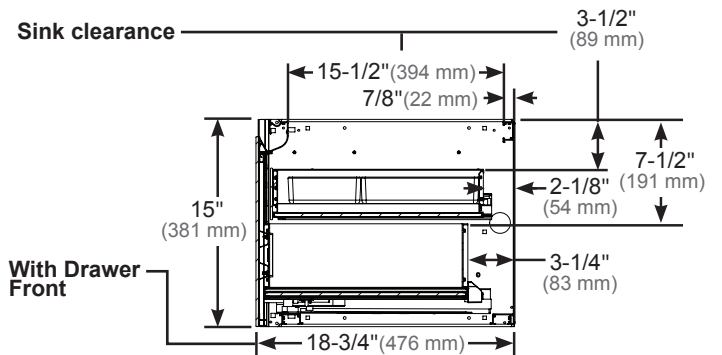
## D18



**D18 Top View - Section with Plumbing Drawer**



**D18 Top View - Section with Full Drawer**

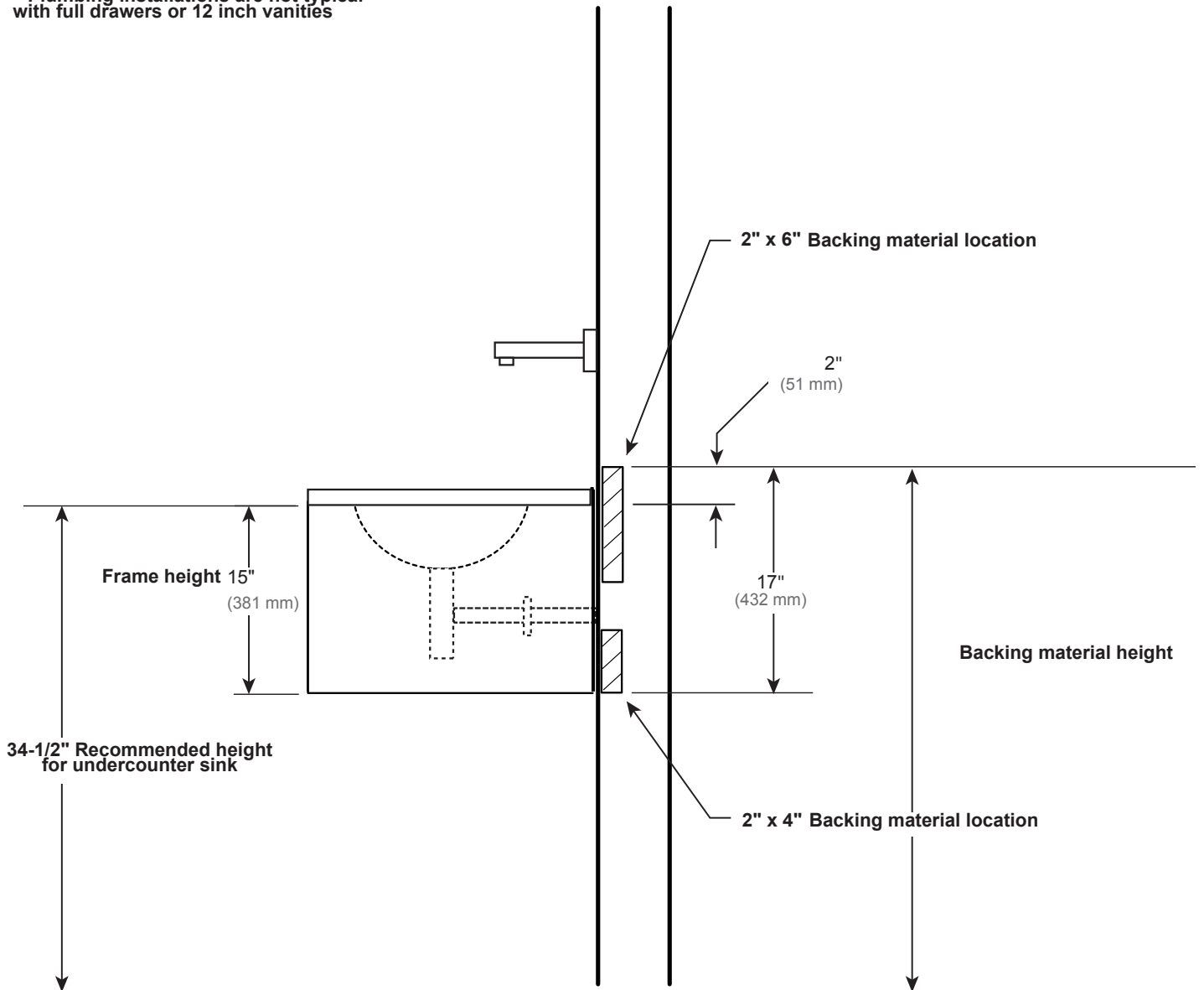


**D18 Cross-section with VADRAWER**

# BLOCKING DIMENSIONS

Side view showing blocking location in wall

**\*\*Plumbing installations are not typical with full drawers or 12 inch vanities**



## ELECTRIC OPTION ROUGH-IN

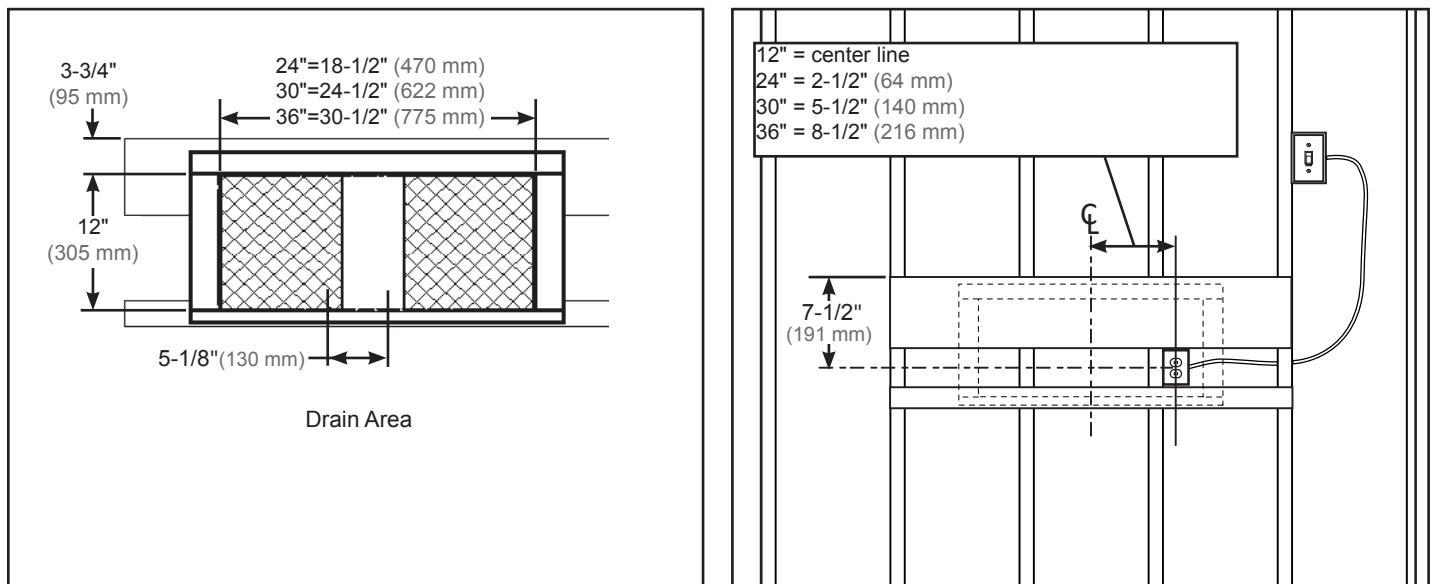
There are two types of electrical options available for vanities. The first is a night light option ordered with the vanity and requires electrical outlets. The second is an electrical outlet option. Both of these options can be plugged into the same outlet.

The outlet must be wired to a 120vac 20 amp GFCI circuit. We do not recommend using a GFCI outlet because resetting it under the vanity will be inconvenient.

The night light has no switch. It is recommended that you switch the outlet to operate the night light. Locate the switch near the doorway to the bathroom.

All applicable electrical codes in your area must be followed.

Outlet can be installed to the left or right of center depending on which side the optional Electrical Outlet Drawer will be located.

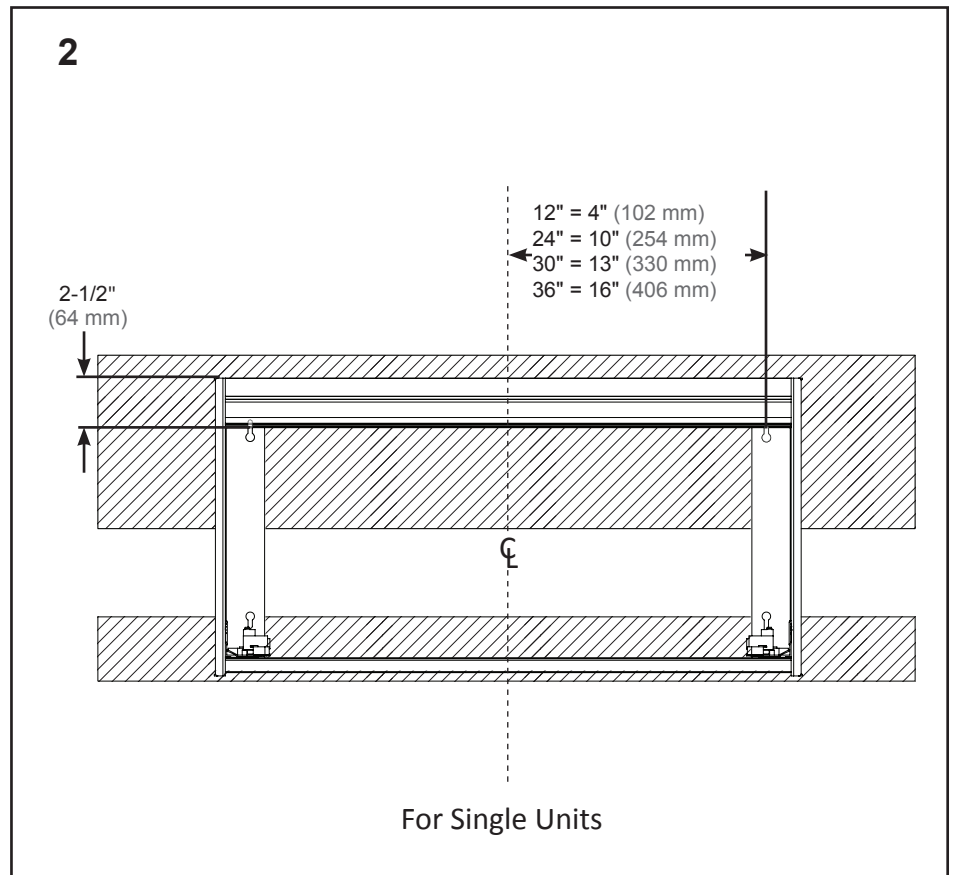
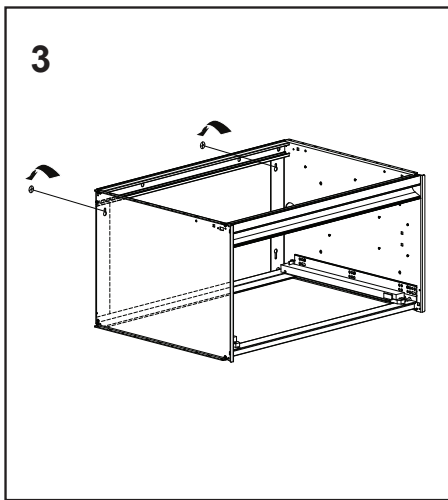
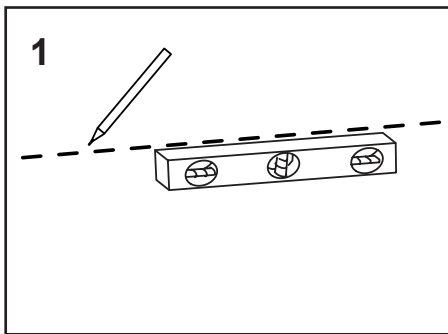


# FRAME INSTALLATION

The drawer fronts are packed separately. Do not unpack them until the room is safe from hazards. If you are ganging and / or stacking vanities see pages 10 & 11.

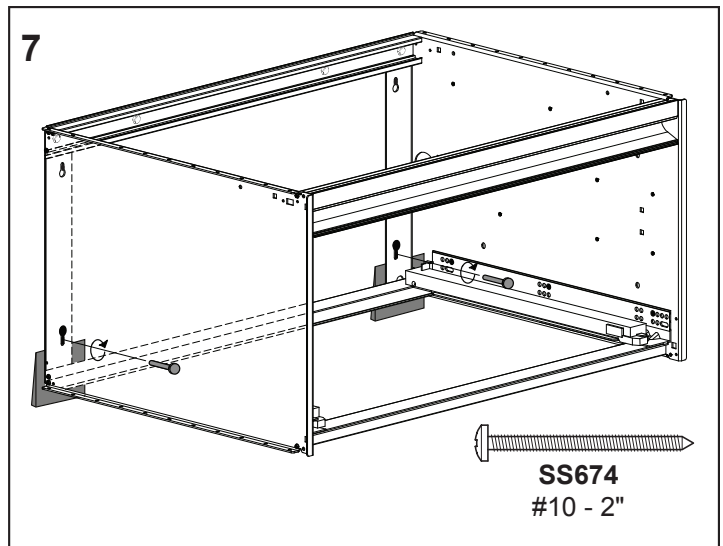
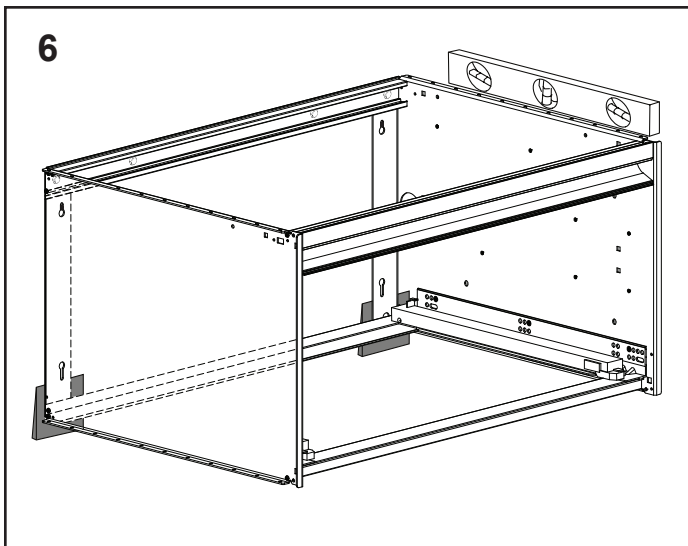
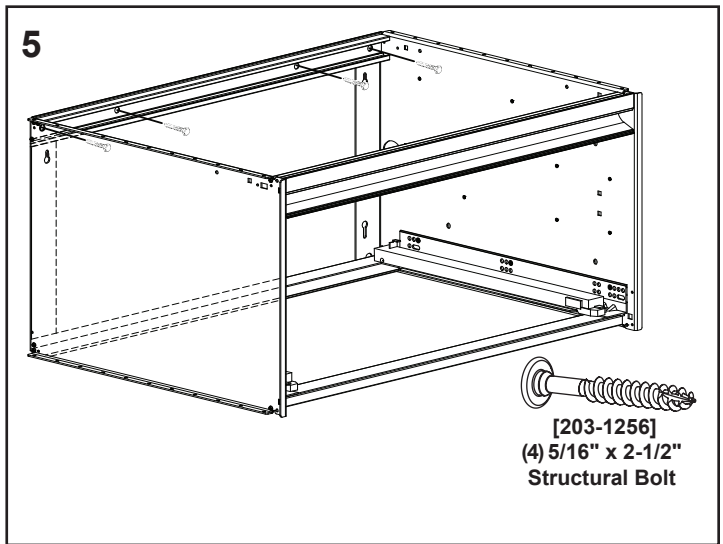
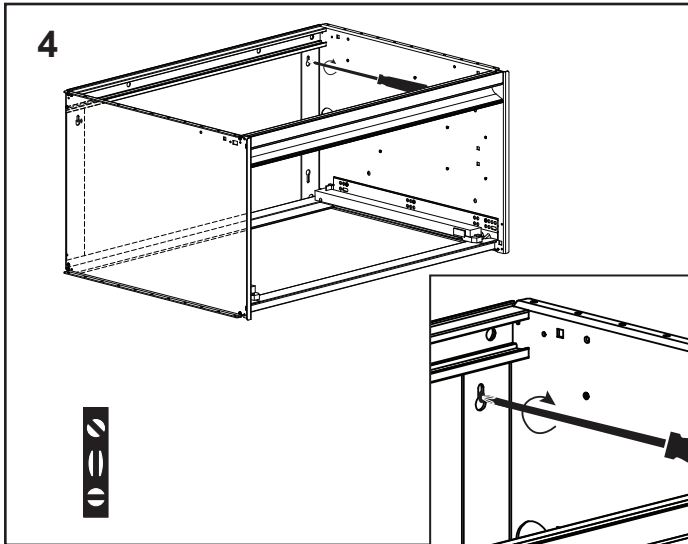
1. Mark the height for the vanity frame install on the finished wall (Fig. 1).
2. Install two of the #10 x 2" (SS674) at the locations shown in Fig. 2. Do not install tight to the wall, leave 1/8" behind the head.
3. Place the vanity frame on the screws using the top left and right keyholes (Fig. 3). The keyhole on the left allows for up and down adjustment.

**WARNING: THESE SCREWS ARE NOT THE FINAL SUPPORT FOR THE VANITY! SEE PAGE 9 FOR FINAL BOLT UP.**



# FRAME INSTALLATION

4. Level the frame and tighten to the wall as shown on page 8 and here in Fig. 4. The left keyhole is elongated to allow for up and down adjustment.
5. Install the four Structural Screws (203-1256) into the four top frame holes. Figure 5. A T-30 Torx Bit is provided. If the wall is bowed, shim where required.
6. If required, shim the bottom at the frame/side intersection (Fig. 6).
7. Install two #10 x 2" (SS674) through the narrow slot of the keyhole on the flange (Fig. 7).



## STACKING KIT

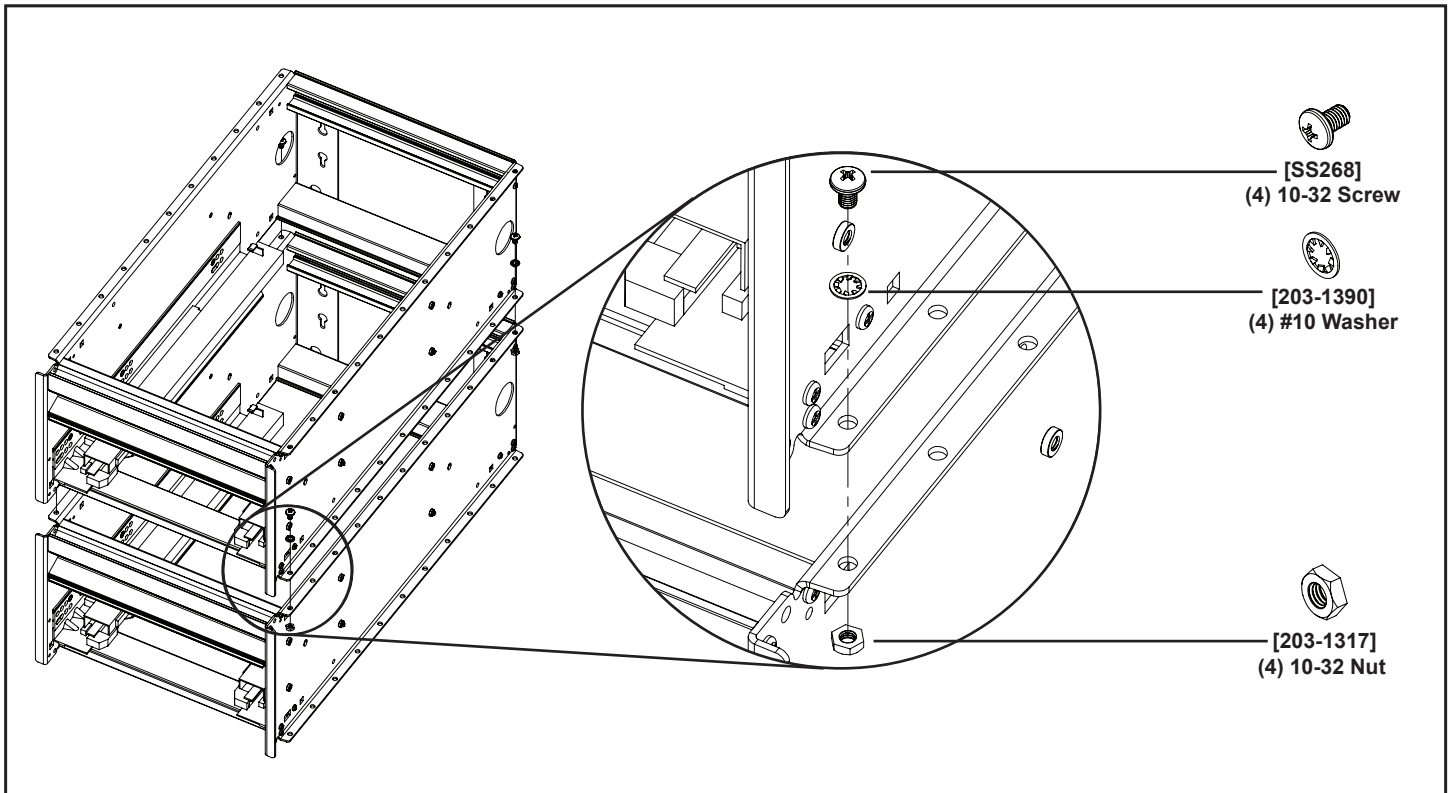
If you are not Stacking and/or Ganging Cartesian or Profiles, you may skip this step and continue to assembling the glass drawer front on page 15.

If you purchased the optional side kits, continue to page 13. For the optional Alcove Kit continue to page 12.

Assemble frames on a clean level surface BEFORE installing on the wall.

Stacking is only available on vanities with the same width.

Place the one Cartesian vanity on top of another. Install 4 screws (SS268) and 4 washers (203-1390) into the holes closest to the front and back edge. Using the 4 nuts (203-1317) tighten the assembly until firmly secure.



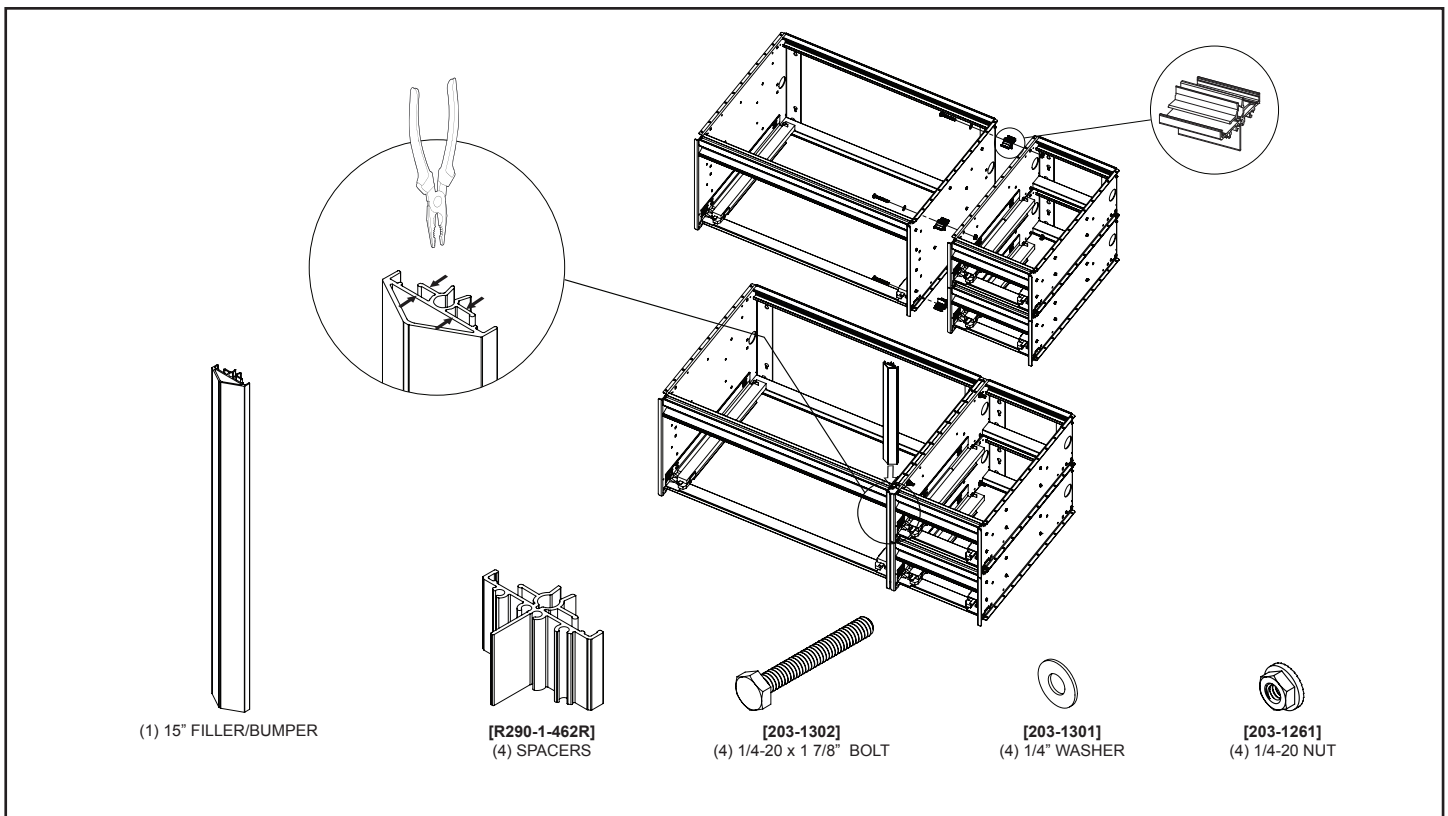
## OPTIONAL GANGING KIT

If you are not Stacking and/or Ganging Cartesian or Profiles, you may skip this step and continue to assembling the glass drawer front on page 15.

If you purchased the optional side kits, continue to page 13. For the optional Alcove Kit continue to page 12.

Assemble frames on a clean level surface BEFORE installing on the wall.

1. Install 4 bolts (203-1302) and 4 washers (203-1301) into the square holes near the top and bottom edge of the side pan.
2. Place the 4 spacers (R290) over the bolts and bring the adjoining pan in location to slide the bolts into the corresponding holes.
3. Using the 4 nuts (203-1261) tighten the assembly until firmly secure.
4. Slide the Filler/Bumper down over the flanges. If loose, pinch using needle nose pliers as shown below.



# ALCOVE AND CORNER INSTALLATIONS

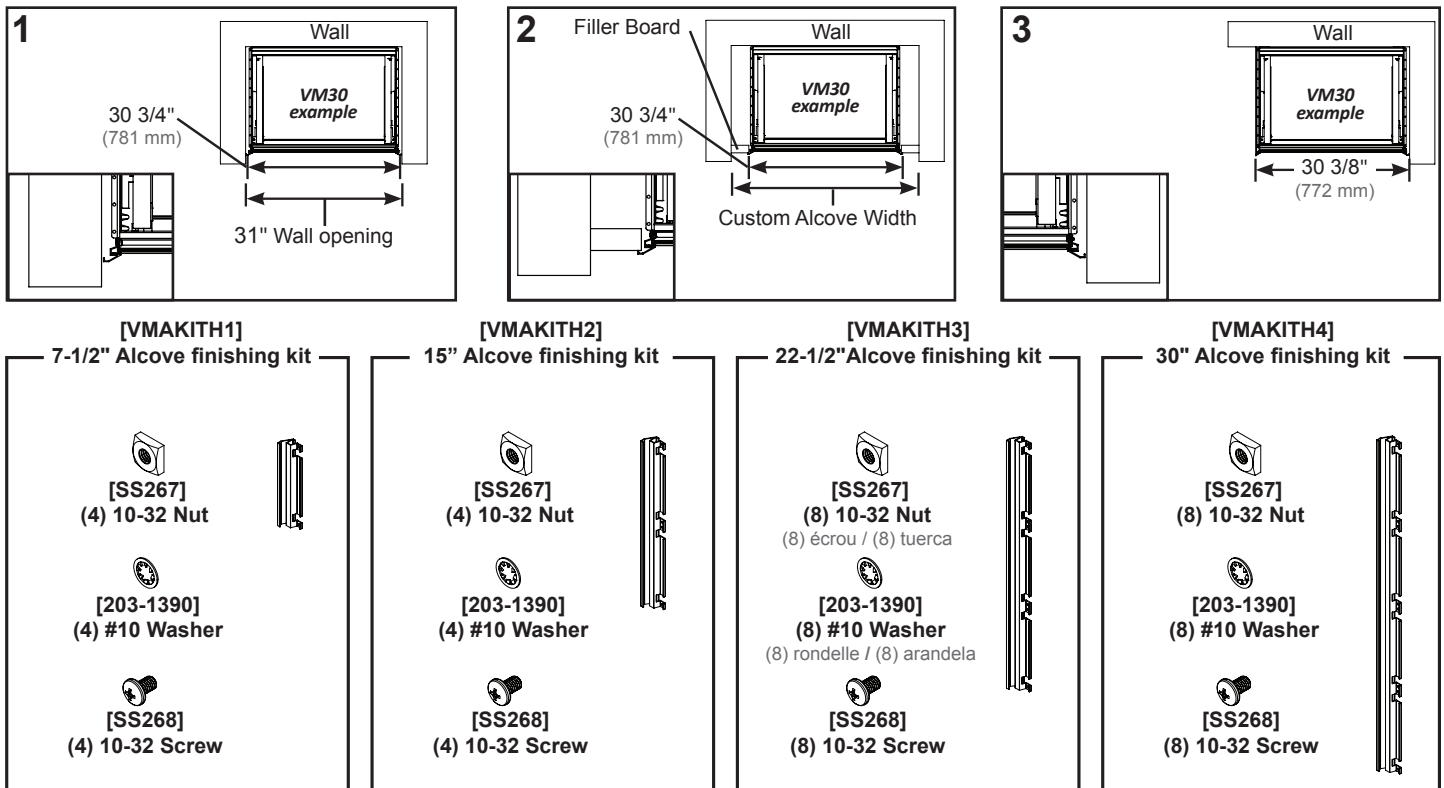
See Alcove kit instructions for greater clarity.

**Note:** The Alcove Kit you order depends on the overall height of your vanity or vanity stack combination. For example, if you stack two H2 vanities (15" + 15" = 30") you would use the VMAKITH4. One Alcove kit is required per side.

**Alcove Installations - For standard top sizes** (Nominal + 1") Two Alcove Kits, VMAKIT are used in place of side kits when installing the vanity into an alcove. Each Alcove kit adds 3/8" to the overall nominal width of the vanity. The wall opening should be 1" gap larger to allow 1/8" gap on either side of the Alcove kit. **Fig. 1 Shows the dimension for a VM30 as an example.**

**Alcove Installations –Requiring extra fillers** Two Alcove Kits, VMAKIT are used in place of side kits when installing the vanity into an alcove. Each Alcove kit adds 3/8" to the overall nominal width of the vanity. Field installed extra filler to match the wall (Fig. 2).

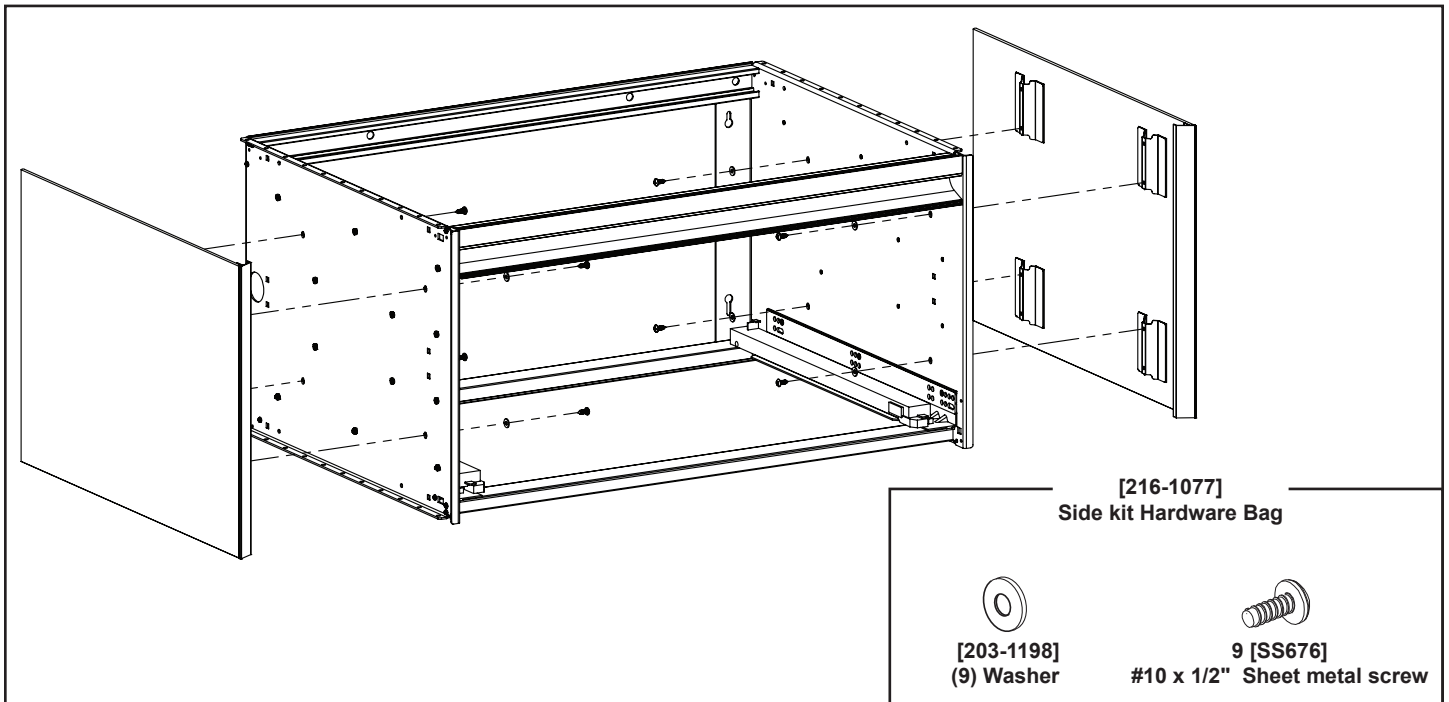
**Corner Installation** - One Alcove Kit, VMAKIT is used with a single side kit when installing the vanity into a corner. Each Alcove kit adds 3/8" to the overall nominal width of the vanity. **Fig. 3 Shows the dimension for a VM30 with one Alcove kit as an example.**





## OPTIONAL SIDE KIT

Use the #10 CB-SS676 screws and washer CB-203-1198 provided to attach the side glass panels.



## OPTIONAL SELECTABLE NIGHT LIGHT

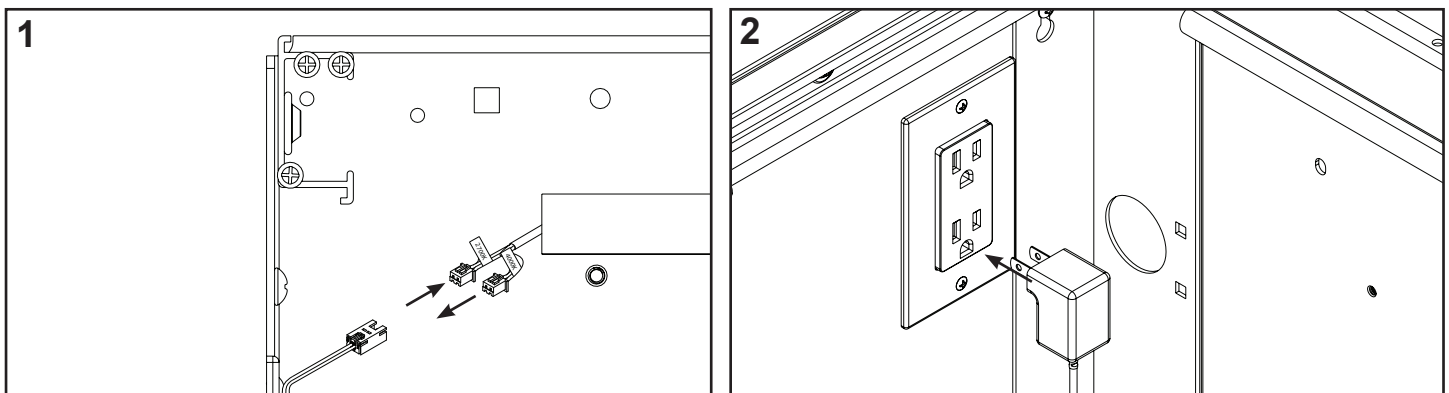
Note: The Night Light is preinstalled to a default color setting of 2700K. If 2700K is your desired color temperature, proceed to step 2. If 4000K is your desired color temperature you must complete step 1.

1. To select the 4000K color temperature you must disconnect the power supply from the 2700K wires located on the inside of the vanity. Once located, disconnect the wires labeled 2700K and connect the wires labeled 4000K.

2. Plug in the power supply into the wall and test.

3. Neatly restrain wires to avoid interference with drawer or drawer slides.

Note: When installing multiple night lights, a power strip can be used.



robern

© 2016 Robern, Inc. 701 N. Wilson Ave. Bristol, PA 19007 U.S.A.  
800.877.2376 [www.robern.com](http://www.robern.com)

Installation instructions

Part no. 209-1232-E-Cartesian, Profiles H2 rev. 05/16/18  
Cartesian™ Vanity, Profiles™ Vanity

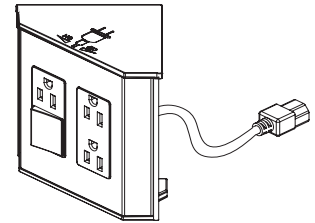
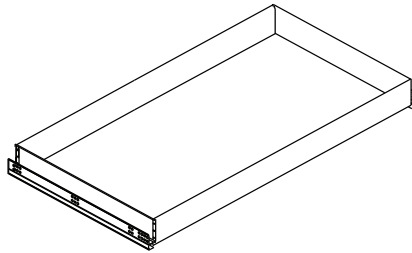
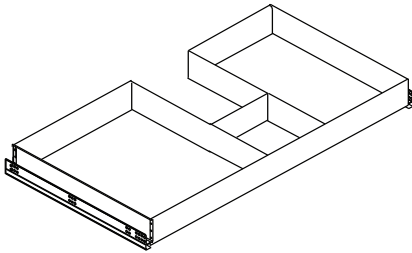
---

## ACCESSORY INSTALLATION

Install the optional Slim Drawer Insert slides before installing the countertop or plumbing. See Page 15.

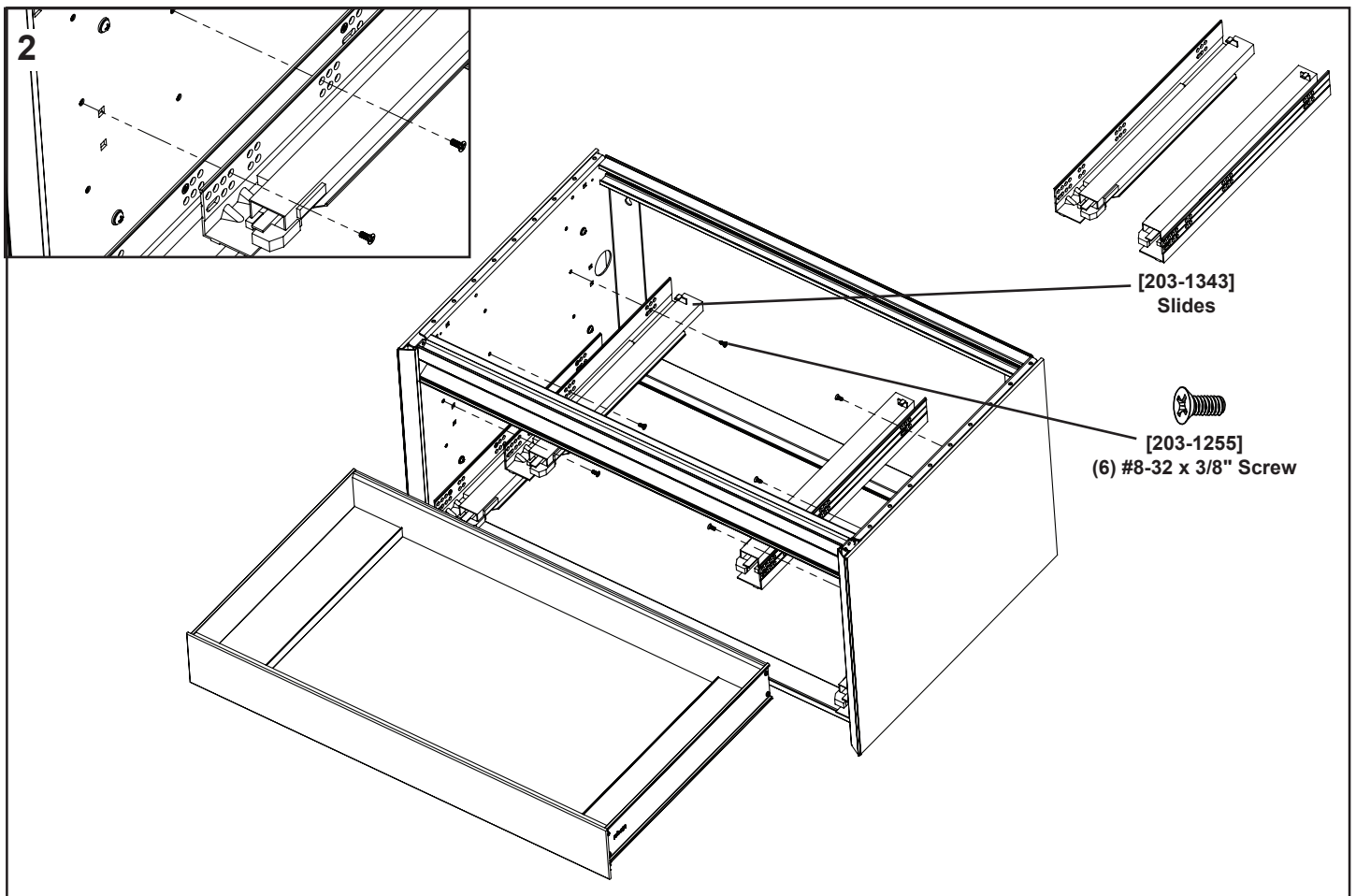
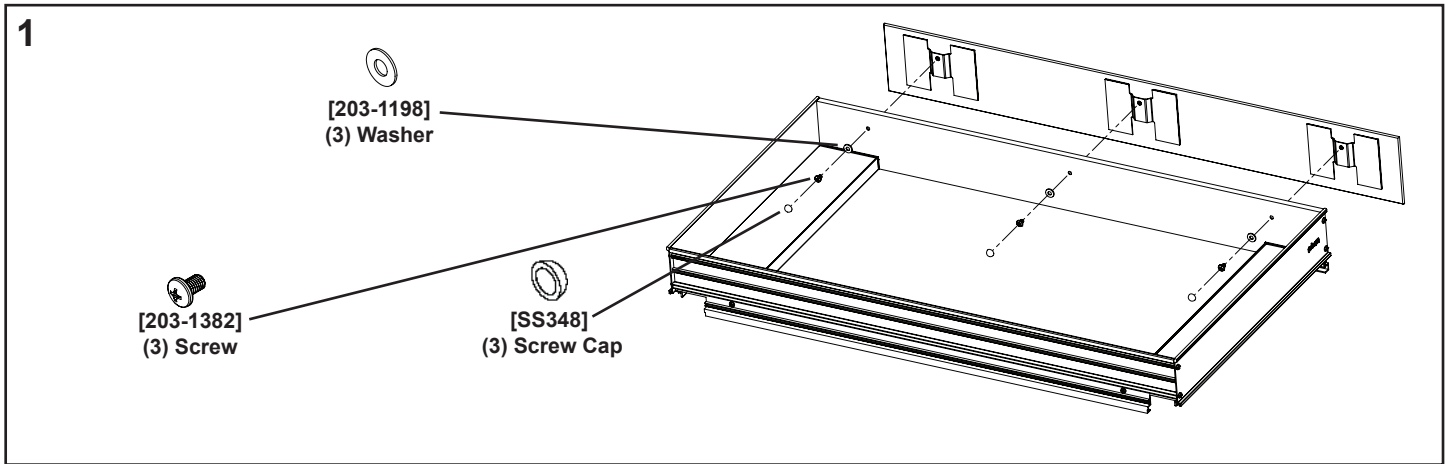
If you have the optional night light plug the unit in and test.

See separate instructions for VAELECTRIC accessory.



# OPTIONAL SLIM DRAWER INSERT

1. Thread the screw and washer through the holes inside the drawer to the glass front (Fig. 1).
2. Install the optional Slim Drawer Insert using the screws and slides provided (Fig. 2).



robern

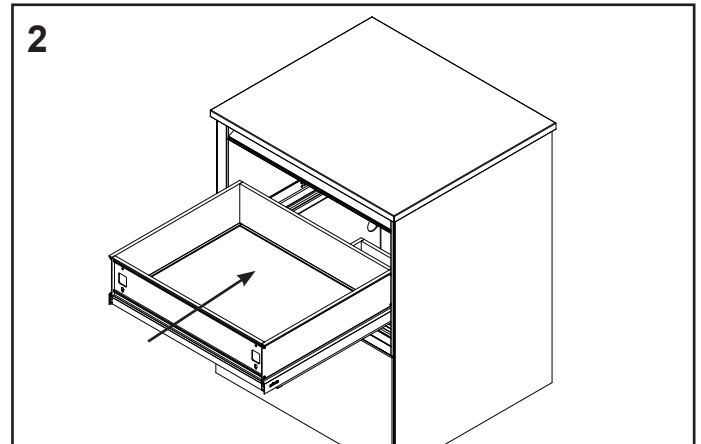
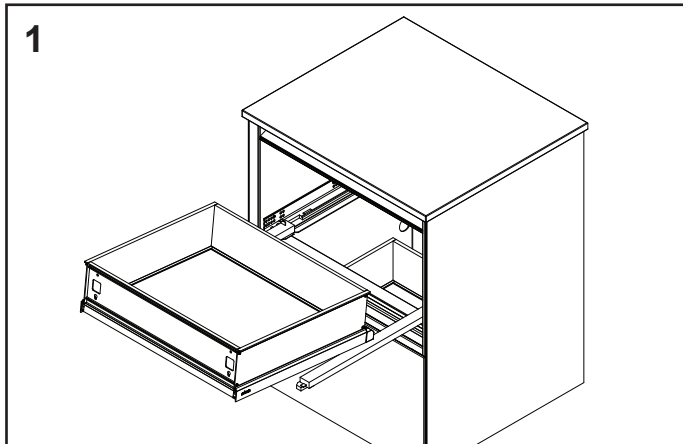
© 2016 Robern, Inc. 701 N. Wilson Ave. Bristol, PA 19007 U.S.A.  
800.877.2376 [www.robern.com](http://www.robern.com)

Installation instructions

---

## DRAWER INSTALLATION

1. Lay the drawer onto the drawer slides as shown (Fig.1).
2. Push the drawer in until an audible sound, a series of clicks, is heard on each side (Fig. 2).
3. Ensure that the locking pin on the back of the drawer slides engage the drawer on both sides, and that the clips are firmly engaged before letting go of the drawer.

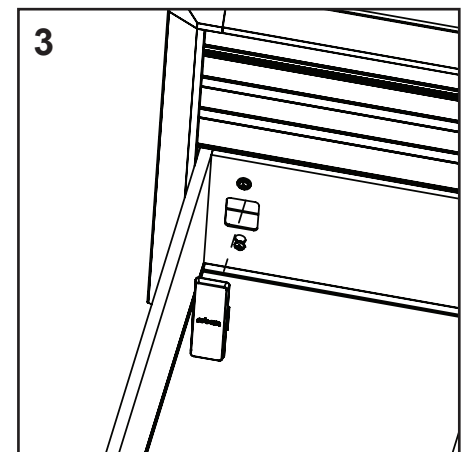
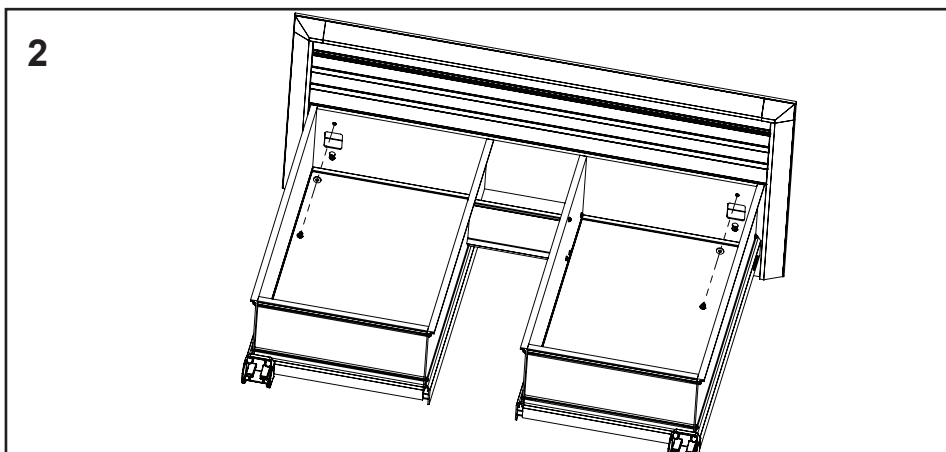
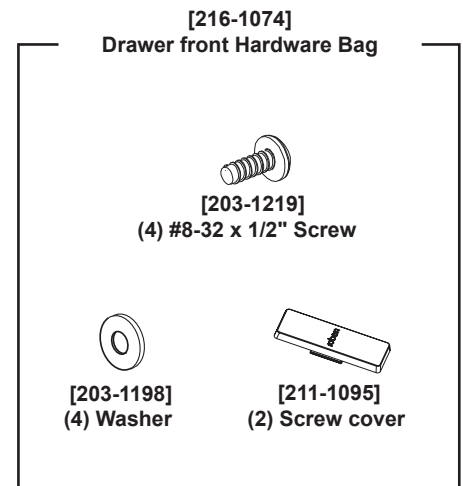
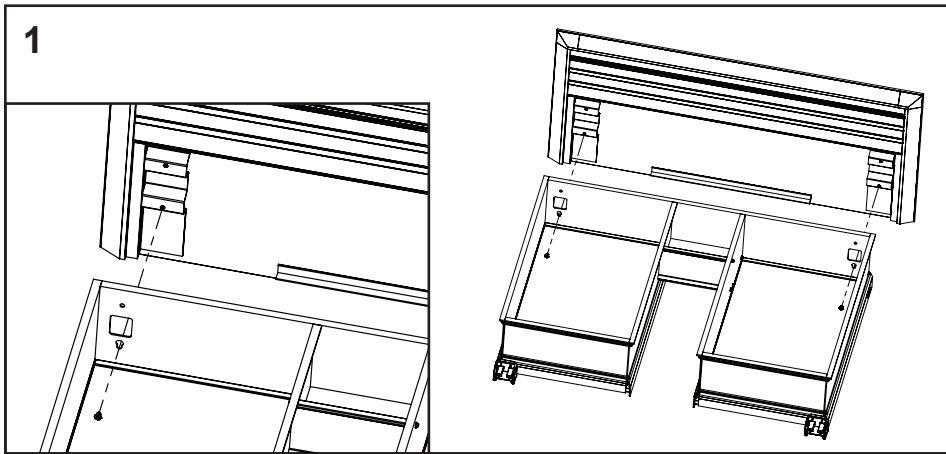


# GLASS DRAWER FRONT

If you are installing VAELECTRIC, see separate instructions before installing the glass drawer fronts.

Install the countertop and plumbing before installing the glass drawer fronts.

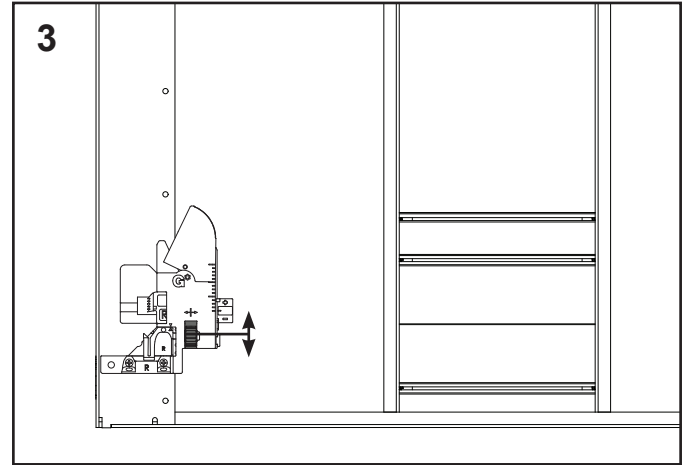
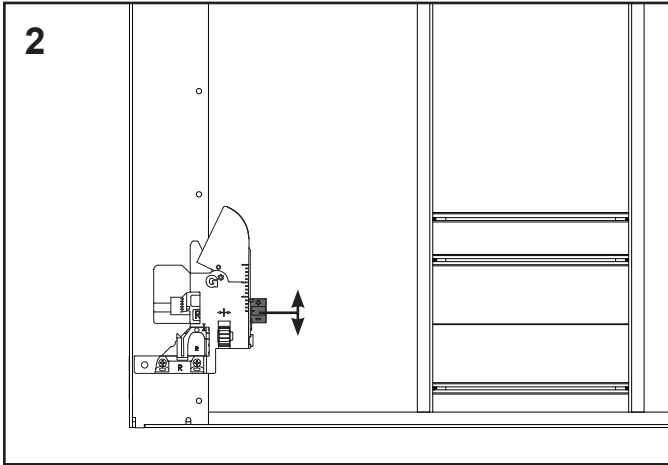
1. The drawer front is first hung from two keyholes on each side of the drawer box. Install 2 #8-32 x 1/2" screws (203-1219) WITHOUT washers on the bottom of each bracket in the drawer front (Fig. 1).
2. Hang the drawer front on the drawer box and install the remaining screws WITH washers into the two remaining threads in the drawer front bracket (Fig. 2). Tighten the screws tightly after the drawer front is level and even with the side kits.
3. Snap the screw covers over the screws by squeezing gently at "Robern".



## ADJUSTING DRAWER FRONTS

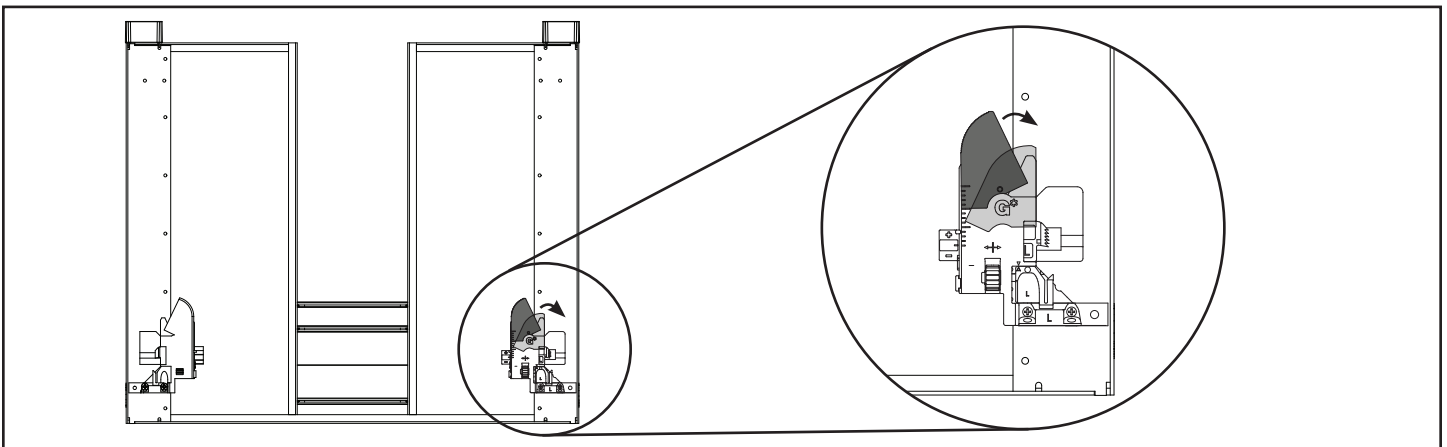
Note: Proper installation is very important for proper drawer front alignment on Robern vanities. Making sure the vanity is level and square in all directions is very important.

1. Loosen the drawer front mounting screws (refer to page 15) to make rough adjustments. Adjust the front both vertically and horizontally. Once aligned, tighten the screws. When working with multiple drawers, do this step on all drawer fronts before proceeding.
2. Fine adjustments can be done with the adjustment features incorporated in the locking clips. Height adjustment of the drawer front is done with the slider. Each side may be adjusted independently.
3. Fine adjustment of left to right adjustment can be done. It is recommended to adjust both wheels in the same direction by equal amounts.



## DRAWER REMOVAL

1. If a drawer needs to be removed, no tools are required. Look at the image of the drawer clips below. This view is looking up at the bottom of the drawer.
2. Reaching under each side of the drawer, pull the levers on the locking devices to disengage the clips, and pull out the drawer.  
**! Caution: You will now be carrying the weight of the drawer!**
3. Place the drawer in a safe location so no damage occurs.



robern

© 2016 Robern, Inc. 701 N. Wilson Ave. Bristol, PA 19007 U.S.A.  
800.877.2376 [www.robern.com](http://www.robern.com)

Instructions d'installation / Instrucciones de instalación

No. de pièce / Pieza n.º 209-1232-E-Cartesian, Profiles H2 rev. 05/16/18  
Meuble-lavabo Cartesian™, Profiles™ / Tocador Cartesian™, Profiles™

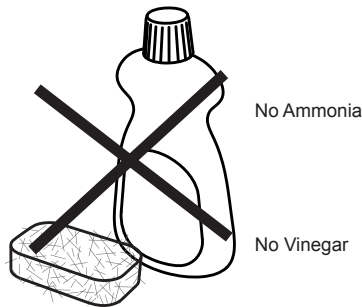
---

## USE AND MAINTENANCE

The vanity sides, drawer front and interior are constructed of glass and aluminum. Use only a damp cloth to clean. Ammonia or vinegarbased cleaners can damage mirrors.

A 50/50 solution of water and isopropyl alcohol is recommended for cleaning the vanity. A mild detergent may be used on the surfaces.

When cleaning, spray the cloth, not the vanity, mirror, or surround surfaces. Do not use abrasive cleansers on any part of the vanity.



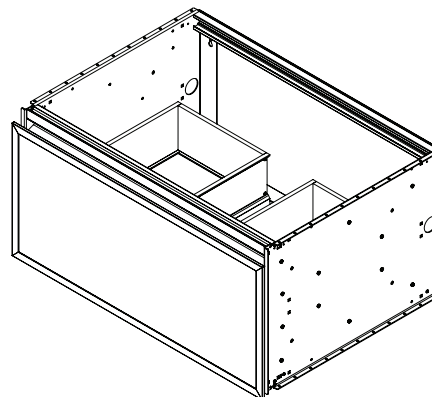
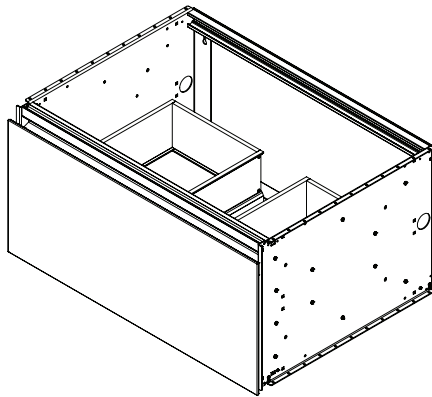
---

## WARRANTY

### Limited Warranty One Year Term

Robern warrants to the original purchaser that, it will, at its election repair, replace, or make appropriate adjustment to products made by this company shown to have significant defects in material or workmanship which are reported to Robern in writing within one (1) year from the date of delivery. Robern is not responsible for installation costs. The warranty is void in the event the product is damaged in transit, or if damage or failure is caused by abuse, misuse, abnormal usage, faulty installation, damage in an accident, improper maintenance, or any repairs other than those authorized by Robern. At the expiration of the one year warranty period, Robern shall be under no further obligation under any warranty, expressed or implied, including the implied warranty of merchantability. Robern shall not be liable for any consequential damages arising out of or in connection with the use or performance of its products. Some states do not allow limitations on how long an implied warranty lasts or do not allow the exclusion or limitation of incidental or consequential damages, so the above limitation or exclusion may not apply to you. Any liability against Robern under any implied warranty, including the warranty of merchantability, is expressly limited to the terms of this warranty. Permission to return any merchandise under this warranty must be authorized by Robern and returned prepaid by the purchaser. Claims under this warranty should be sent directly to your dealer.

©2016 Robern, Inc.  
ALL RIGHTS RESERVED



**Kits secondaires vendus séparément**  
**Kits secundarios se venden por separado**

## CONTENU

Instructions d'installation - **21**  
 Numéros de modèle - **22**  
 Pièces et Accessoires Optionnels - **23 & 24**  
 Dimensions - **25**  
 Blocage Dimensions - **26**  
 Emplacement Pour Option Électrique - **27**  
 Installation du cadre - **28 & 29**  
 Kit d'empilage - **30**  
 Jeu de regroupement en option - **31**  
 Alcôve et Corner Installations - **32**  
 Kit latéraux en option - **33**  
 Installation des accessoires - **34**  
 En option Insérer Tiroir - **35**  
 Installation / retrait / ajustement du tiroir - **36 & 37**  
 Verre façade du tiroir - **38**  
 Utilisation et Entretien - **39**  
 Garantie - **40**

## CONTENIDO

Instrucciones de instalación - **21**  
 Números de modelo - **22**  
 Piezas y Accesorios Opcionales - **23 & 24**  
 Dimensiones - **25**  
 El bloqueo Dimensiones - **26**  
 Empotrado de la Opción Eléctrica - **27**  
 Instalación del marco - **28 & 29**  
 Kit apilamiento - **30**  
 Equipo opcional de Acoplamiento - **31**  
 Instalaciones de Icoba y de esquina - **32**  
 Kit Panel lateral Opcional - **33**  
 Instalación de Accesorios - **34**  
 Opcional Insertar Cajón - **35**  
 Instalación del cajón - **36, 37, 38, & 39**  
 Uso y Mantenimiento - **39**  
 Garantía - **40**



---

## INSTRUCTIONS D'INSTALLATION

Ce manuel d'instructions contient de l'information sur comment installer les 381 mm Cartesian meuble-lavabo. Ces séries sont disponibles en plusieurs tailles et variations. Des options électriques peuvent être offertes avec votre meuble-lavabo. La série de la meuble-lavabo est modulaire et peut être monté individuellement, jumelé ou empilées.

Cette série de meuble-lavabo nécessite une préparation de site spécial. Ne pas installer meuble-lavabo jusqu'à ce que tous charpente, la plomberie et les options électriques rugueux-ns ont été achevés et la surface du mur a été terminé. Nous recommandons d'utiliser les services d'un installateur professionnel. Respectez tous les codes de construction locaux.

Conservez ces instructions pour référence et utilisation future. Une mauvaise installation annule la garantie. Les meuble lavabo installées ne peuvent pas être retournées.

Si vous éprouvez de la difficulté avec votre meublelavabo, veuillez contacter soit votre marchand ou contactez directement Robern.

Garantie limitée — d'une durée d'un an

---

## INSTRUCCIONES DE INSTALACIÓN

Este manual de instrucción contiene información sobre la instalación de la 381 mm Cartesian tocador. Esta serie viene en varios tamaños y variaciones. Se puede proporcionar la opción eléctrica con su(s) tocador(s). La serie de tocador es modular y puede montarse individualmente, agruparse o apilarse.

Esta serie de tocador necesita preparación especial del sitio. No instale tocadores hasta que todos los ásperos-ns de encuadre, de plomería y de opción eléctrica se han completado y superficie de la pared se ha acabado. Recomendamos el uso de los servicios de un instalador profesional. Observe todos los códigos de construcción locales. Si tiene algún problema con su espejo de pared, comuníquese con su distribuidor o directamente con Robern.

Guarde estas instrucciones para uso y referencia futura. La instalación inadecuada invalida la garantía. Los tocadores instalados no podrán devolverse.

Si usted tiene algún problema con su tocador, póngase en contacto con su distribuidor o directamente con Robern.

Garantía Limitada – Término de Un Año

## NUMÉROS DE MODÈLE

Utilisez le tableau ci-dessous pour apprendre à construire un numéro de modèle cartésien. Ce tableau fait référence au numéro de modèle pour un 24" W x 15" H x 21" meuble-lavabo D avec la plomberie tiroir et lumière de nuit. Consultez la Robern Prix du livre pour une liste complète des numéros de modèle.

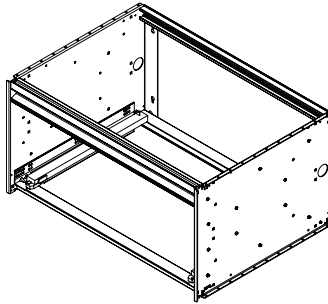
### Model Numbers

	V	M	24	H2	D21	P	##	L	
<b>Catégorie / Categoría</b>	V = Meuble-lavabo / Tocador								
<b>Produit / Producto</b>	M = Cartesian P = Profiles								
<b>Largeur / Ancho</b>	12 = 12 1/8" / 308 mm 24 = 24 1/8" / 613 mm 30 = 30 1/8" / 765 mm 36 = 36 1/8" / 918 mm								
<b>Hauteur / Altura</b>	H1 = 7.5" / 191mm H2 = 15" / 381mm								
<b>Profondeur / Profundidad</b>	D18 = 18-3/4" / 476mm D21 = 21-3/4" / 552 mm								
<b>Tiroir style / Estilo del cajón</b>	P = Plomberie / Plomería F = Complet / Completo T = Déverser / Verter								
<b>Glass Finition / cristal Acabado</b>	## = Verre décoratif / Vidrio decorativo								
<b>lumière / Luz</b>	N = Base L = Sélectionnable 2700 / 4000 Kelvin Veilleuse Cartesian, Seleccionable 2700 / 4000 Kelvin Luz de noche Cartesian S = Sélectionnable 2700 / 4000 Kelvin Veilleuse Profiles Seleccionable 2700 / 4000 Kelvin Luz de noche Profiles								
<b>Finition de cadre en métal / Acabado de marco de metal</b>	Blanc / Blanco = Cartesian 76 (Profiles only) = Chrome / Cromo 77 (Profiles only) = Nickel poli / Níquel pulido 82 (Profiles only) = Or mat / mate Oro 83 (Profiles only) = Noir mat / Negro mate								

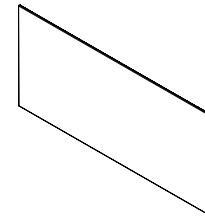
## NÚMEROS DE MODELO

Utilice la siguiente tabla para aprender a construir un número de modelo cartésiano. Esta tabla hace referencia al número de modelo para un tocador de 24" W x 15" H x 21" D con cajón plomería y luz de noche. Consulte la Robern Precio Reserva para obtener una lista completa de los números de modelo.

# PIÈCE / PARTES

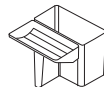
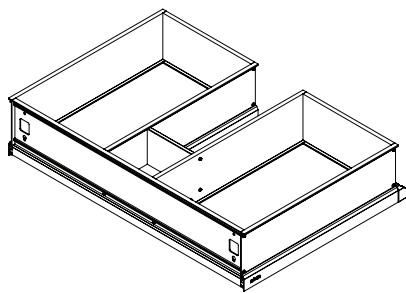


(1) 304 mm, 610 mm, 762 mm, or 914 mm Repère Cartesian - 762 mm Présentés ici  
 (1) 304 mm, 610 mm, 762 mm, or 914 mm Marco Cartesian - 762 mm Muestran aquí



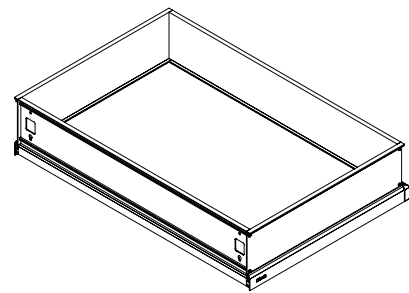
(1) Face de Tiroir  
 (1) Frente de Cajón

610 mm, 762 mm, or 914 mm Plomberie Tiroir  
 610 mm, 762 mm, or 914 mm Fontanería Cajón

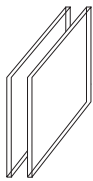


[202-1179]  
 (1) Bac De Verre Central  
 (1) Bandeja Central Glass

304 mm, 610 mm, 762 mm, or 914 mm Full Tiroir  
 304 mm, 610 mm, 762 mm, or 914 mm Cajón lleno



[225-1039] = 24" [225-1040] = 30" [225-1041] = 36"  
 Plomberie tiroir Diviseur Set  
 Divider Set Fontanería Cajón



Diviseur Verre  
 Divisor de Cristal

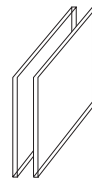


[211-1073]  
 (4) Divider Clip  
 (4) Divisor clip



[211-1098]  
 (4) Divider Clip Chaussures  
 (4) Divisor Clip de Zapatos

[225-1042]  
 Tiroir plein diviseur  
 Divisor de Cajón Completo



Diviseur Verre  
 Divisor de Cristal



[211-1073]  
 (4) Divider Clip  
 (4) Divisor Clip



[211-1098]  
 (4) Divider Clip Chaussures  
 (4) Divisor Clip de Zapatos

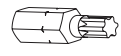
[216-1073]  
 Montage sac de quincaillerie  
 De Accesorios montaje bolsa



[203-1256]  
 (4) 5/16" x 2-1/2"  
 (4) Boulon  
 (4) Perno Estructural



[SS674]  
 (5) 51 mm élice  
 (5) 51 mm tornillo



[203-1270]  
 Goupille T-30  
 Llave T-30

[216-1145]  
 Empilant les sacs de matériel  
 Apilamiento bolsa de hardware



[203-1317]  
 (4) écrou  
 (4) Tuerca



[SS268]  
 (4) Vis  
 (4) Tornillo



[203-1390]  
 (4) Rondelle  
 (4) Arandela

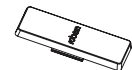
[216-1074]  
 Drawer front Hardware Bag  
 Sac de quincaillerie pour façade du tiroir  
 cajón bolsa bccesorios frontal



[203-1219]  
 (4) #8-32 x 13 mm vis  
 (4) #8-32 x 13 mm Tornillo



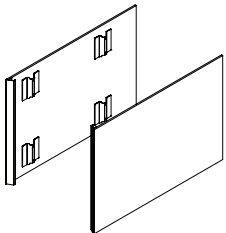
[203-1198]  
 (4) Rondelle  
 (4) Arandela



[211-1095]  
 (2) Vis du Couvercle  
 (2) Cubierta Tornillo

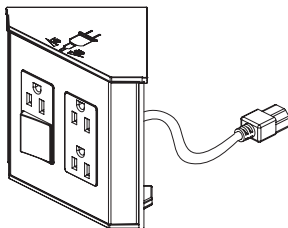
# ACCESSOIRES OPTIONNELS / ACCESORIOS OPCIONALES

[VM(1, 2)SKH2D(18, 21)##]  
Panneau Latéral  
Panel Lateral

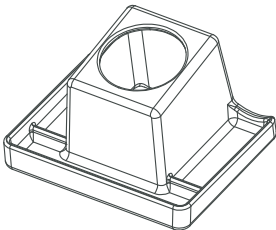


Kit Side  
Kit de Lado

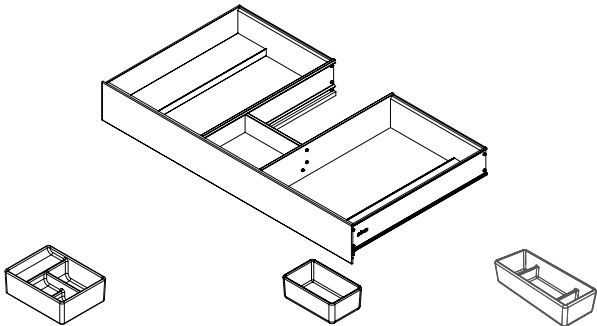
[VAELECTRIC(18, 21)]  
Prise électrique  
Enchufe



[VAHAIRORG]  
Organisateur de Cheveux  
Organizador del Cabello

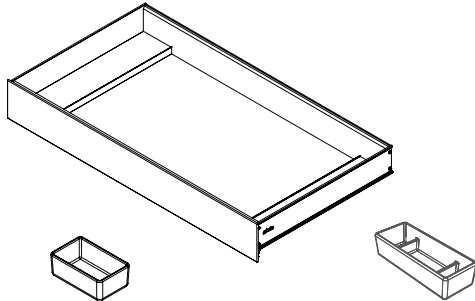


24" = [VADRAWER24P]  
30" = [VADRAWER30P]  
36" = [VADRAWER36P]  
Insertion de tiroir - Fourni avec 4 bacs de verre par tiroir  
Cajón Insertar - Se incluyen 4 cajas de vidrio por cajonera




[202-1356] [202-1124] [202-1123]  
(1) Bac De Verre Central (2) Support Verre Bin (2) Grand verre BIN  
(1) Bandeja Central Glass (2) Medio de Cristal Bin (2) Gran Vidrio BIN

12" = [VADRAWER12X]  
24" = [VADRAWER24X]  
30" = [VADRAWER30X]  
36" = [VADRAWER36X]  
Insertion de tiroir - Fourni avec 4 bacs de verre par tiroir  
Cajón Insertar - Se incluyen 4 cajas de vidrio por cajonera



[202-1124] [202-1123]  
(2) Support Verre Bin (2) Grand verre BIN  
(2) Medio de Cristal Bin (2) Gran Vidrio BIN

[VMAKITH2]  
381 mm Kit de finition Alcove  
381 mm Kit de acabado Alcove



[GLASSBIN6.38]  
Bac De Verre Central  
Bandeja Central Glass

[GLASSBIN5.25]  
Support Verre Bin  
Medio de Cristal Bin


[GLASSBIN8.5]  
Grand verre BIN  
Gran Vidrio BIN

[SS267]  
(4) écrou  
(4) tuerca

[203-1390]  
(4) rondelle  
(4) arandela

[SS268]  
(4) Vis  
(4) tornillo

[VMGKITH2]  
381 mm Kit de regroupement  
381 mm Kit agrupamiento



[203-1302]  
(4) 1/4 -20 x 47.6 mm Boulon  
(4) 1/4 -20 x 47.6 mm Perno

[203-1301]  
(4) 6.35 mm rondelle  
(4) 6.35 mm arandela

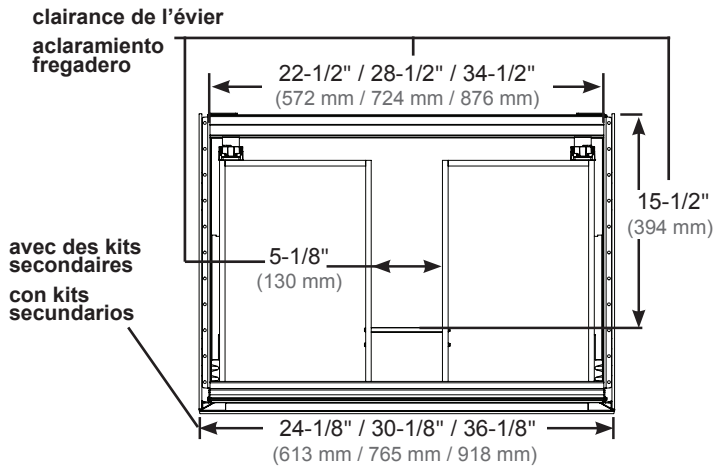
[R290-1-462R]  
(1) 381 mm Remplissage / Tampon  
(1) 381 mm Rellenador / Paragolpes

[203-1261]  
(4) Séparateurs  
(4) Espaciadores

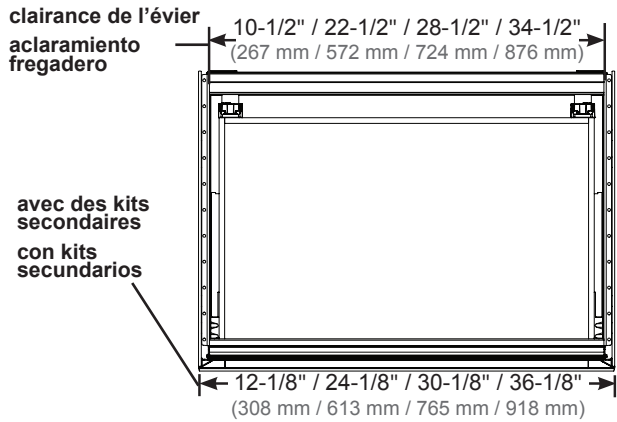
(4) 1/4-20 Écrou  
(4) 1/4-20 Tuerca

# DIMENSIONS / DIMENSIONES

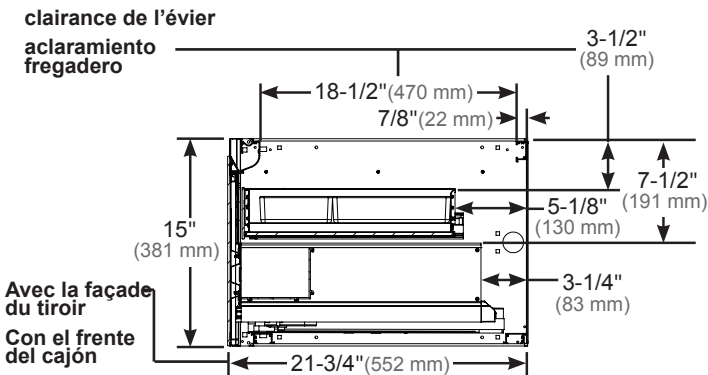
## D21



**D21 haut Voir - Section avec Plomberie tiroir**  
**D21 Vista superior - Sección con Fontanería Cajón**

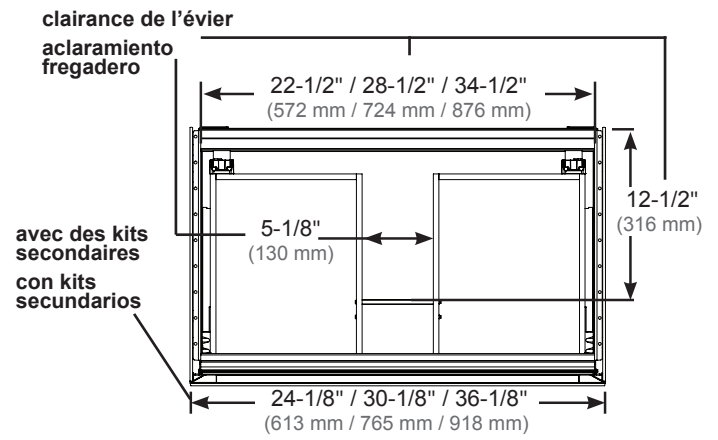


**D21 haut Voir - Section avec tiroir plein**  
**D21 Vista superior - Sección con cajón lleno**

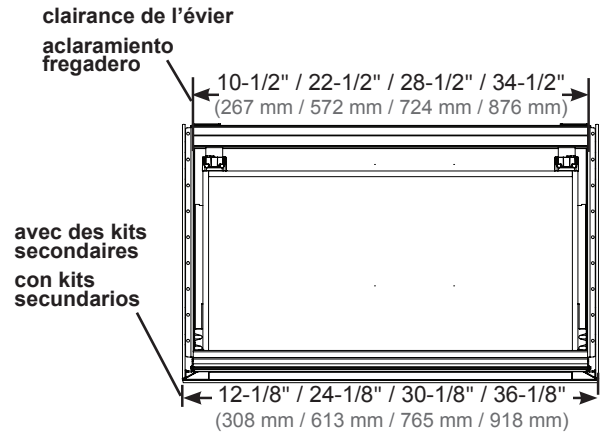


**D21 Croix-section avec VADRAWER**  
**D21 Cruz-sección con VADRAWER**

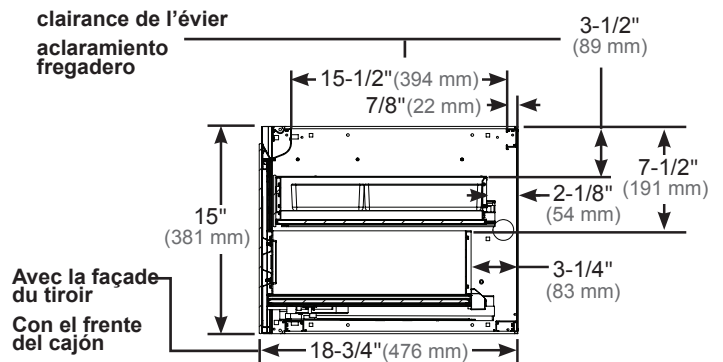
## D18



**D18 haut Voir - Section avec Plomberie tiroir**  
**D18 Vista superior - Sección con Fontanería Cajón**



**D18 haut Voir - Section avec tiroir plein**  
**D18 Vista superior - Sección con cajón lleno**

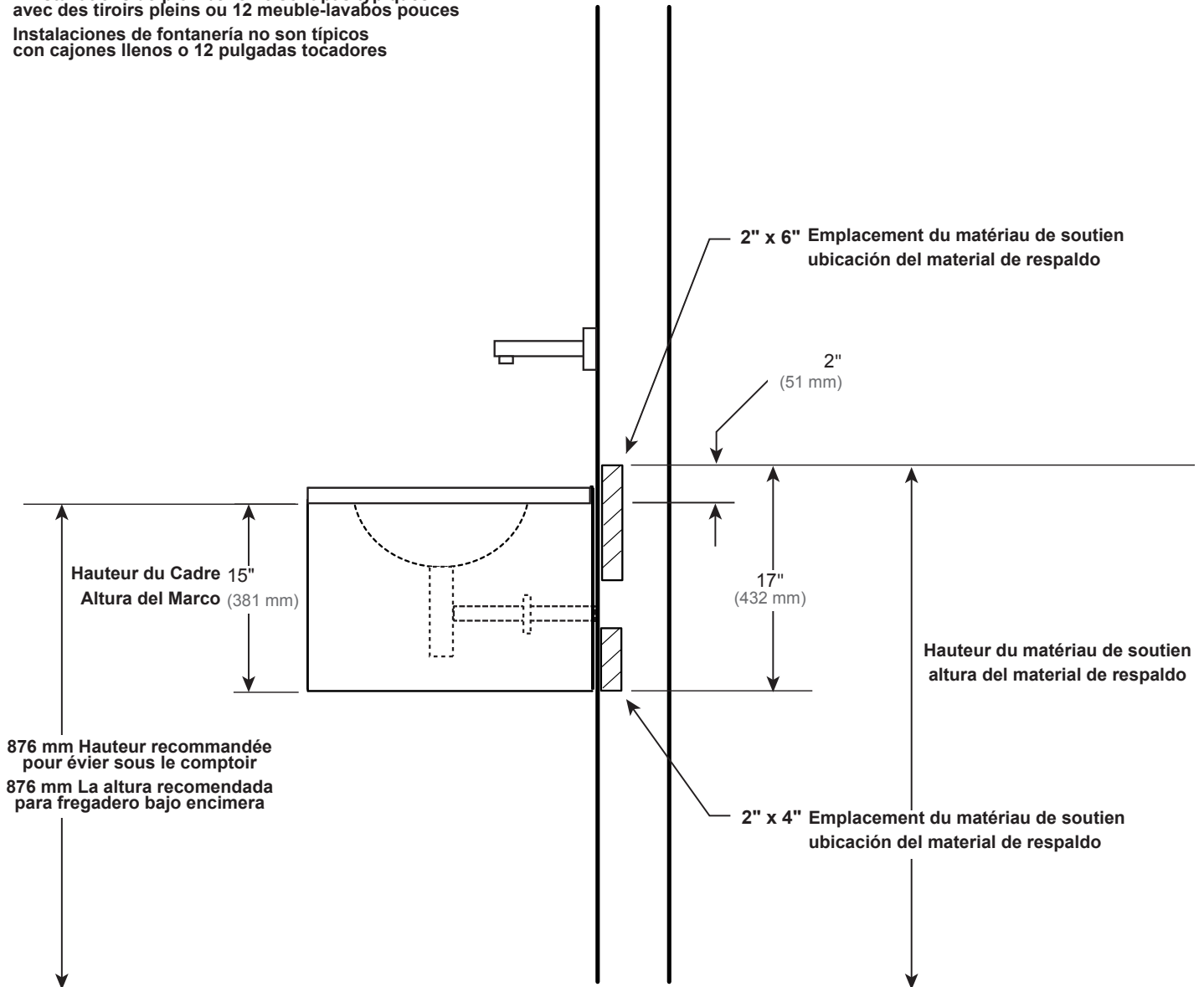


**D18 Croix-section avec VADRAWER**  
**D18 Cruz-sección con VADRAWER**

# BLOPAGE DIMENSIONS / EL BLOQUEO DIMENSIONES

Vue latérale montrant l'emplacement du blocage dans le mur  
Vista lateral de bloqueo en la pared que muestra la ubicación

**\*\*Installations de plomberie ne sont pas typiques  
avec des tiroirs pleins ou 12 meuble-lavabos pouces  
Instalaciones de fontanería no son típicos  
con cajones llenos o 12 pulgadas tocadores**



## EMPLACEMENT POUR OPTION ÉLECTRIQUE

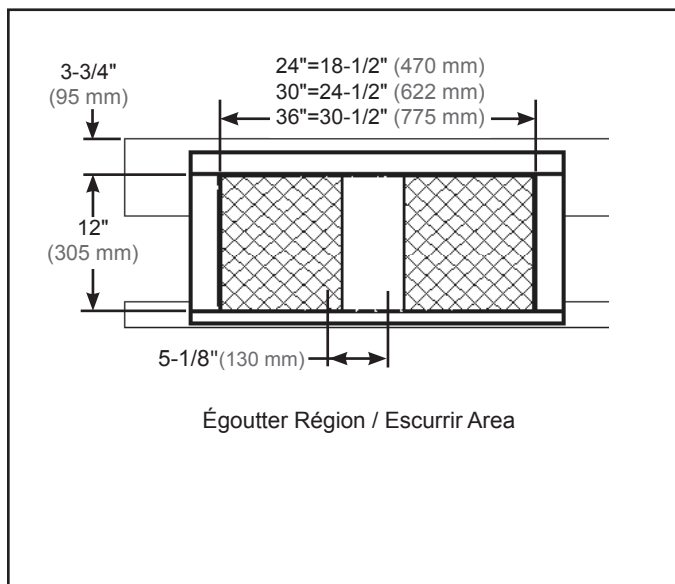
Deux options électriques sont offertes pour les meuble-lavabos. La première option est veilleuse qui est commandée avec la meuble-lavabo. La seconde est une option de prise de courant. Ces deux options peuvent être branchées dans la même prise de courant.

La prise de courant doit être raccordée à un circuit de 120 Vca de 20 ampères muni d'un disjoncteur de fuite de terre. Nous ne recommandons pas d'utiliser une prise de courant munie d'un disjoncteur de fuite de terre car il sera difficile de la réinitialiser au besoin.

La veilleuse possède pas d'interrupteur. Il est recommandé que vous ajoutez une partie de commutation de la sortie pour faire fonctionner l'éclairage de nuit. Repérez l'interrupteur près de la porte de la salle de bains.

Assurez-vous de vous conformer à tous les codes électriques locaux de votre région.

La prise de courant peut s'installer à gauche, à droite ou au centre en fonction de l'emplacement de l'option de tiroir avec prise de courant.



## EMPOTRADO DE LA OPCIÓN ELÉCTRICA

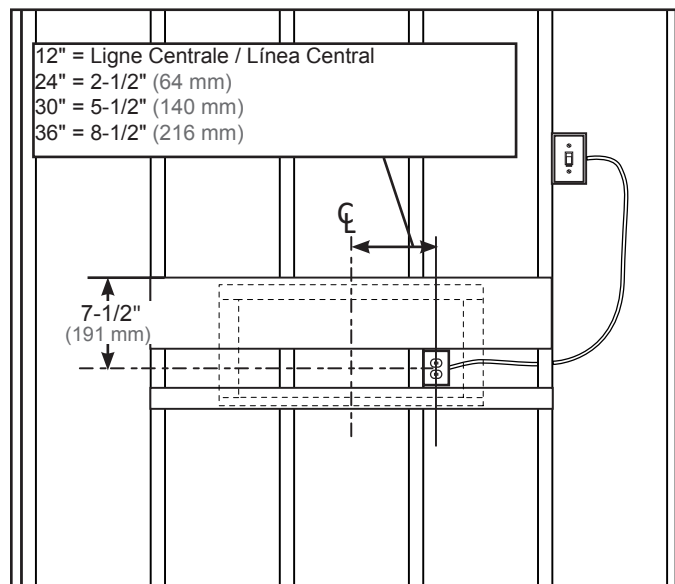
Hay dos tipos de opciones eléctricas disponibles para los tocadores. La primera es la opción de lamparillas ordenada con el tocador. La segunda es la opción eléctrica con toma de corriente. Ambas opciones pueden conectarse a la misma toma de corriente.

La toma de corriente debe conectarse a un circuito de 120 vac 20 amp con interruptor de circuito por falla a tierra (GFCI, por sus siglas en inglés). No recomendamos utilizar una toma de corriente de GFCI, porque para ajustarla debajo del tocador puede ser un poco difícil.

La luz de la noche no tiene interruptor. Se recomienda que se agrega una parte del interruptor de la toma de corriente para operar la luz de la noche. Busque el interruptor cerca de la puerta del cuarto de baño.

Debe seguir todos los códigos eléctricos aplicables de su área.

Puede instalar la toma de corriente a la izquierda o derecha del centro, dependiendo de la ubicación de la gaveta con toma de corriente de la opción eléctrica.



## INSTALLATION DU CADRE

Les façades des tiroirs sont emballés séparément. Ne pas les déballer jusqu'à la salle de bain est à l'abri des dangers. Si vous liguez et / ou empiler meuble-lavabos voir pages 26 et 27.

1. Marquez la hauteur d'installation du cadre du meuble-lavabo sur le mur fini comme le montre le graphique 1.

2. Installez deux de #10 x 2 po (51 mm) (SS674) aux emplacements indiqués dans le graphique 2. N'installez pas le cadre trop serré contre le mur, laissez 1/8 po (3 mm) derrière le sommet.

3. Placez le cadre du meuble-lavabo sur les vis en utilisant les orifices supérieurs situés à gauche et à droite.

Voir graphique 3. L'orifice situé sur la gauche permet de faire des réglages de haut en bas.

**AVERTISSEMENT : CES VIS NE SONT CONÇUES POUR SERVIR COMME UN APPUI FINAL DU MEUBLELAVABO! VOIR PAGE 25 POUR FIXER LES BOULONS FINAUX.**

## INSTALACIÓN DEL MARCO

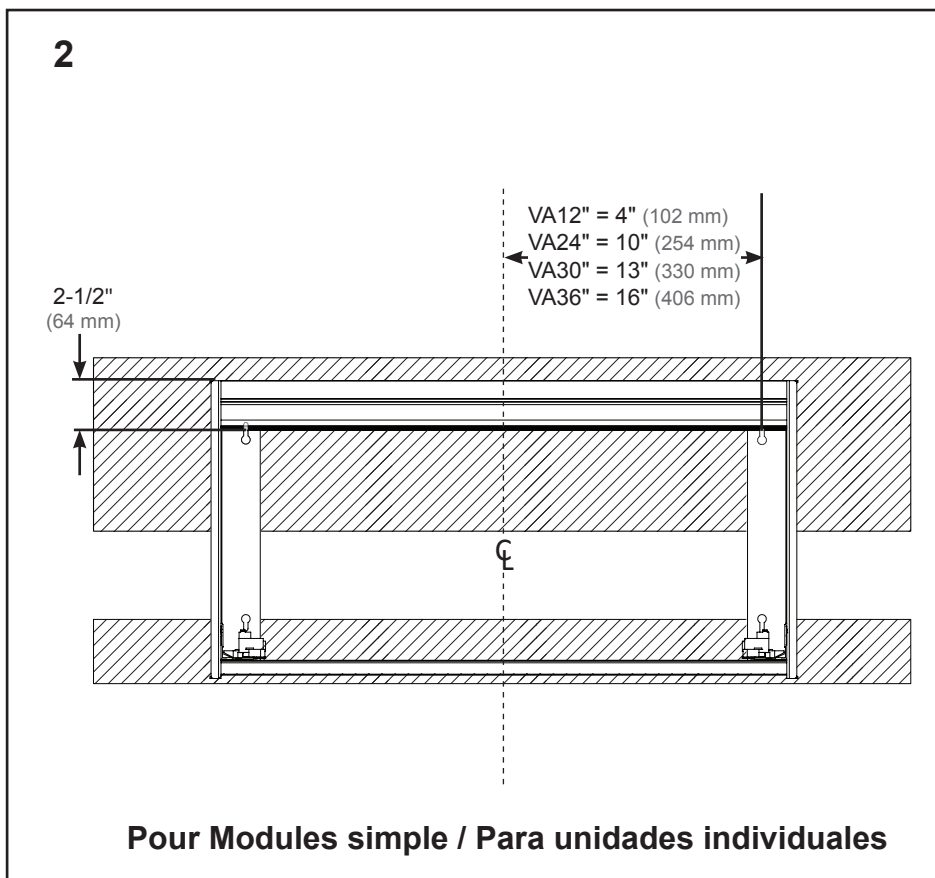
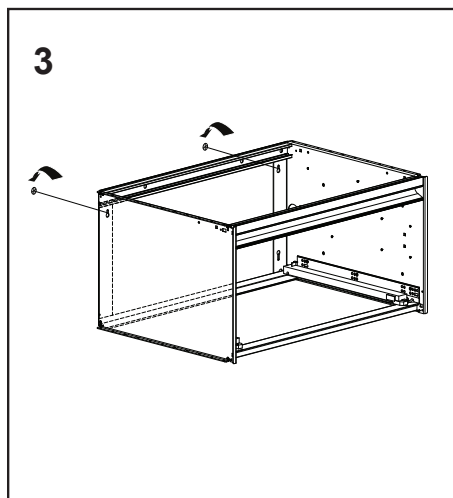
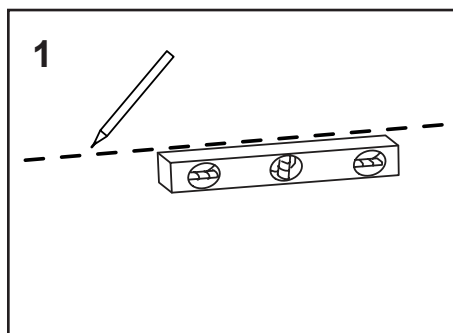
Los frentes de los cajones se emban por separado. No descomprimir ellos hasta el cuarto de baño es libre de peligros. Si está Ganging y / o apilar tocadores ver páginas 26 y 27.

1. Marque la altura para el marco del tocador sobre la pared terminada como se muestra en la Figura 1.

2. Instale dos de los #10 x 2" (SS674) en los lugares mostrados en la Figura 2. No instale demasiado ajustado contra la pared, deje 1/8" detrás de la cabecera.

3. Coloque el marco del tocador sobre los tornillos usando los orificios superiores izquierdo y derecho. Consulte la Figura 3. El orificio a la izquierda le permite ajustar hacia arriba o abajo.

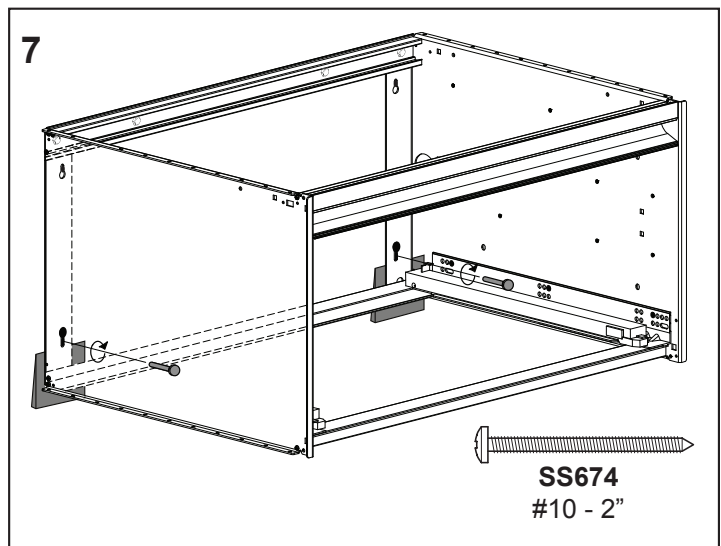
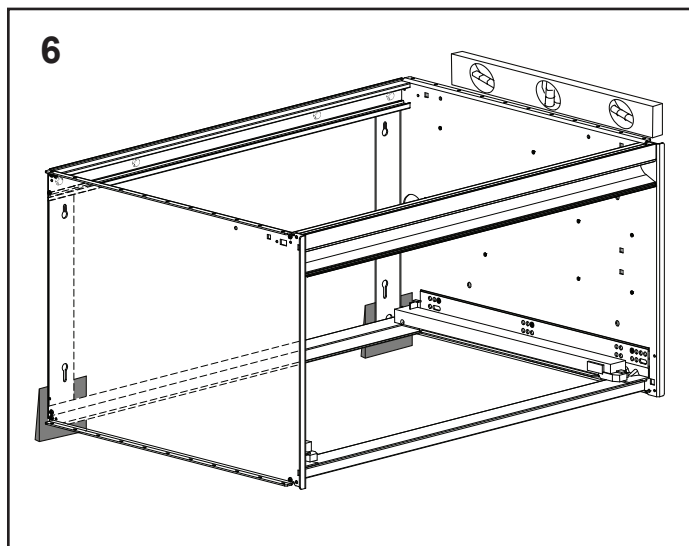
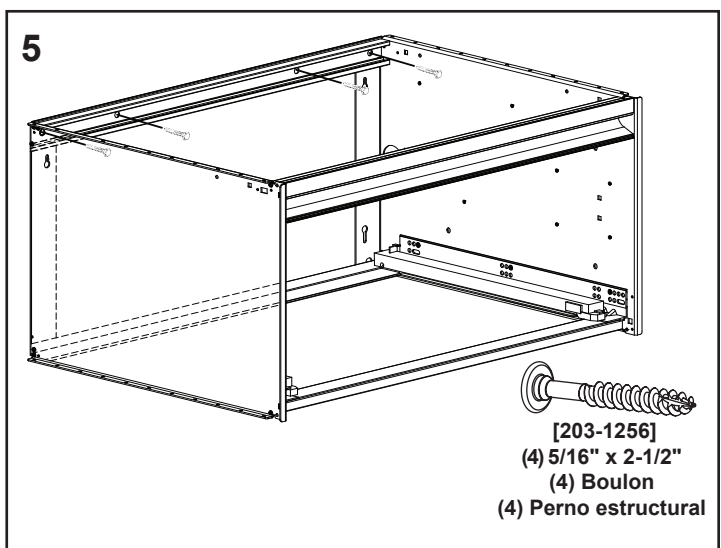
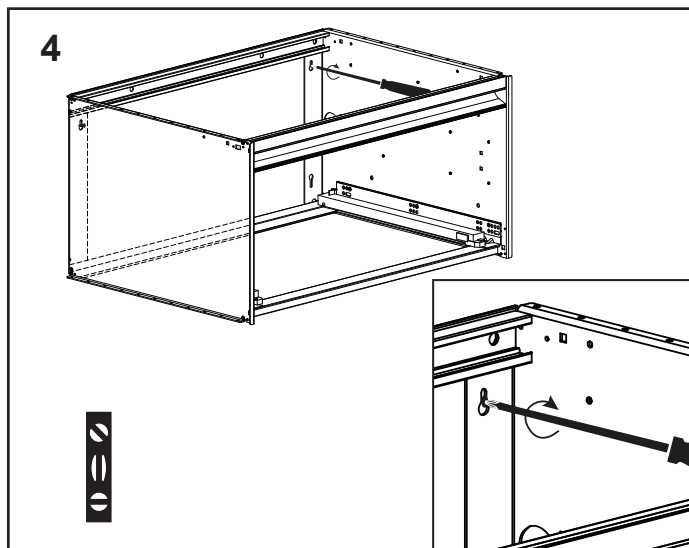
**ADVERTENCIA: ESTOS TORNILLOS NO SON EL SOPORTE FINAL PARA EL TOCADOR! CONSULTE LA PÁGINA 25 PARA EL AJUSTE DE SUJECIÓN FINAL.**





## INSTALLATION DU CADRE

4. Mettez le cadre au niveau et fixez-le au mur comme le montre l'illustration de la page 24 et ici dans le graphique 4. L'orifice de gauche est allongé pour permettre des réglages de haut en bas.
5. Installez les quatre vis de structure (203-1256) Dans les quatre trous supérieurs du cadre. Graphique 5. Un embout Torx T-30 est fourni. Si le mur est voûté, placez des cales au besoin
6. Si nécessaire, caler le bas à l'intersection trame / latérale, comme indiqué sur la figure 6.
7. Installez deux #10 x 2 po (50 mm) (SS674) à travers la fente mince de l'orifice sur le rebord comme le montre le graphique 7.



robern

© 2016 Robern, Inc. 701 N. Wilson Ave. Bristol, PA 19007 U.S.A.  
800.877.2376 [www.robern.com](http://www.robern.com)

Instructions d'installation / Instrucciones de instalación

## INSTALACIÓN DEL MARCO

4. Nivele el marco y ajuste a la pared como se muestra en la página 24 y aquí en la Figura 4. El orificio izquierdo está alargado para permitir el hacia arriba o abajo.
5. Instale los cuatro tornillos estructurales (203-1256) en los cuatro orificios superiores del marco. Figura 5. Se proporciona una punta de destornillador estrella (Torx) T-30. Si la pared está arqueada, coloque tacos donde sea necesario.
6. Si es necesario, calce la parte inferior en la intersección de cuadro / lado como se muestra en la Figura 6.
7. Instale dos de los #10 x 2" (SS674) a través del de la ranura del orificio en el reborde como se muestra en la Figura 7.

No. de pièce / Pieza n.º 209-1232-E-Cartesian, Profiles H2 rev. 05/16/18  
Meuble-lavabo Cartesian™, Profiles™ / Tocador Cartesian™, Profiles™

## KIT D'EMPILAGE

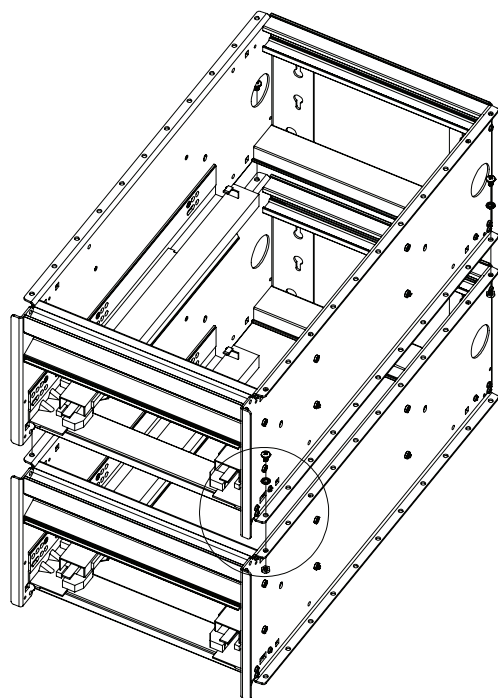
Si vous n'êtes pas empiler et / ou Ganging cartésienne, vous pouvez sauter cette étape et continuer à assembler la façade du tiroir en verre à la page 31.

Si vous avez acheté les kits latéraux en option, continuer à la page 29.

Assemblez les cadres sur une surface plane propre AVANT de les installer sur le mur.

**Stacking est disponible uniquement sur meublelavabos avec la même largeur.**

Placez une meuble-lavabo cartésienne sur le dessus de l'autre. Installez 4 vis (SS268) et 4 rondelles (203-1390) dans les trous les plus proches du bord avant et arrière. En utilisant les 4 écrous (203-1317) serrer l'ensemble jusqu'à fermement sécurisé.



## KIT APILAMIENTO

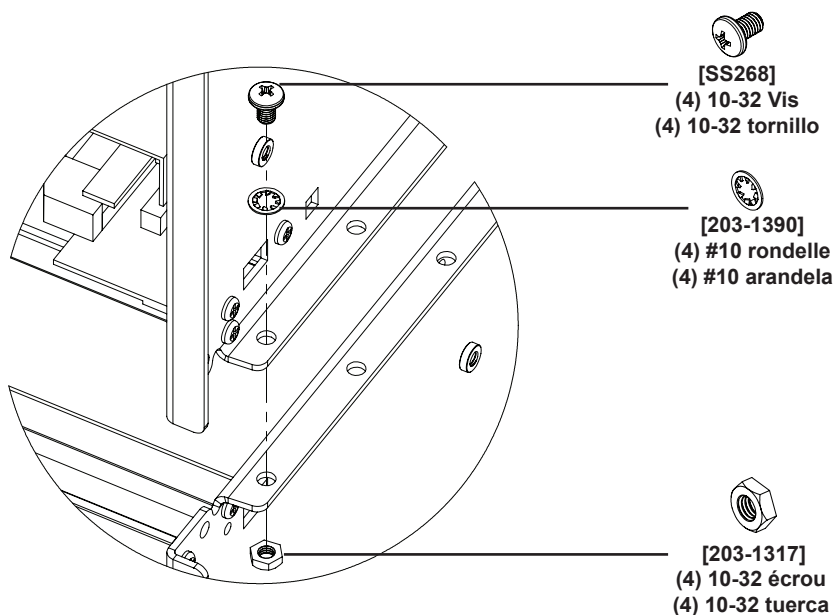
Si usted no está de apilamiento y / o Ganging cartésiana, puede omitir este paso y continuar con el montaje de la parte delantera del cajón de vidrio en la página 31.

Si usted compró los kits laterales opcionales, continúa en la página 29.

Ensamble los marcos en una superficie limpia y nivelada ANTES de instalarlos en la pared.

**Stacking sólo está disponible en tocadores con la misma anchura.**

Coloque el tocador cartésiano en la parte superior de otro. Instale 4 tornillos (SS268) y 4 arandelas (203-1390) en los agujeros cercanos a la parte delantera y borde posterior. Utilizando las 4 tuercas (203-1317) apretar el conjunto hasta que firmemente segura.



## JEU DE REGROUPEMENT EN OPTION

Si vous n'êtes pas empiler et / ou Ganging cartésienne, vous pouvez sauter cette étape et continuer à assembler la façade du tiroir en verre à la page 31.

Si vous avez acheté les kits latéraux en option, continuer à la page 29.

Assemblez les cadres sur une surface plane propre AVANT de les installer sur le mur.

1. Installez 4 boulons (203-1302) et les rondelles (203-1301) dans les trous carrés près du bord supérieur et inférieur de la paroi latérale.
2. Placez les 4 séparateurs (R290) sur les boulons et placez la paroi adjacente dans l'emplacement pour introduire les boulons dans les trous correspondants.
3. À l'aide de 4 écrous (203-1261) serrer l'ensemble jusqu'à ce qu'il soit bien sécurisé.
4. Glisser le remplissage/Tampon dans les rebords. Si elle est lâche, en utilisant l'aiguille nez pince pincement comme indiqué ci-dessous.

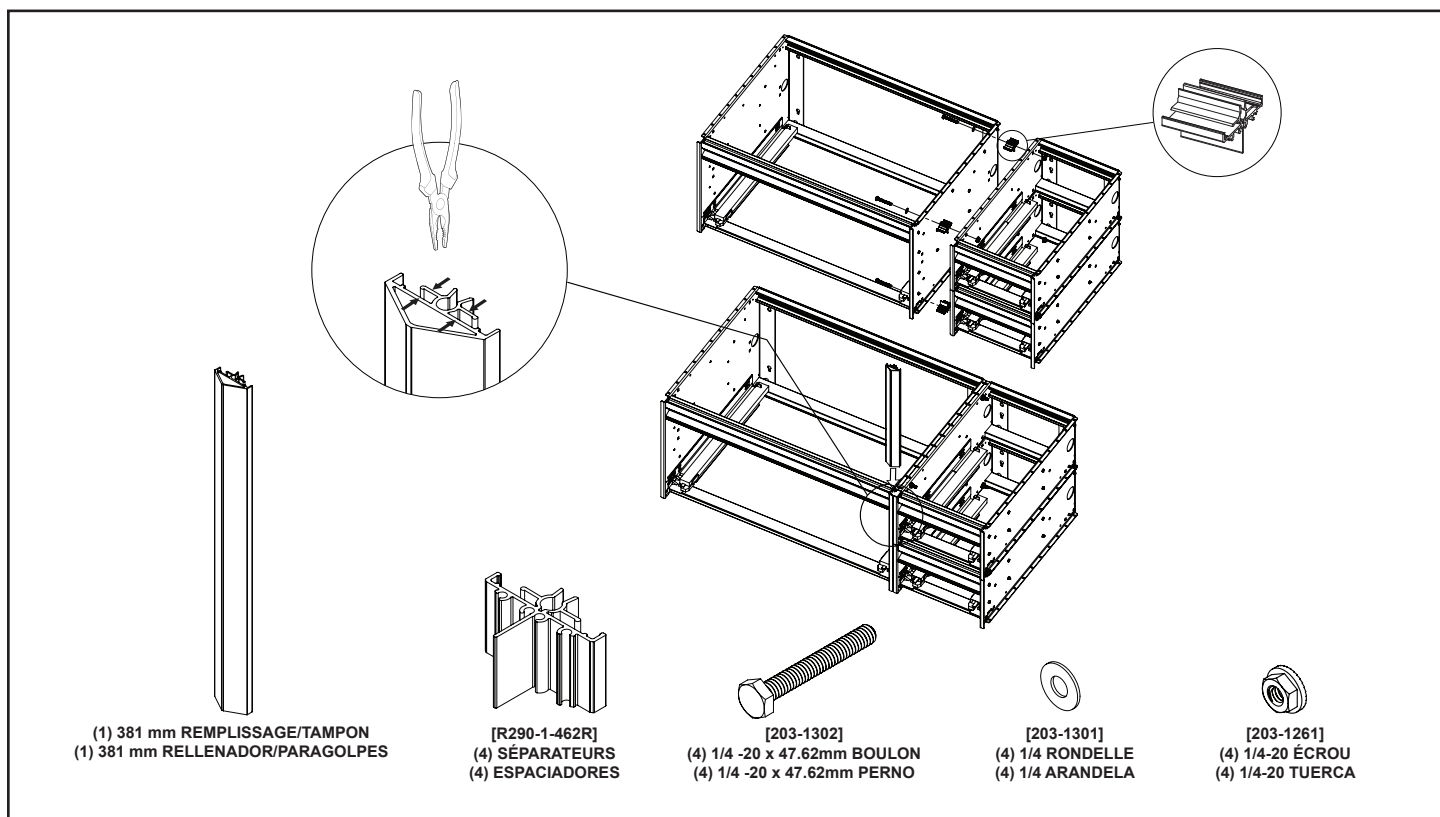
## EQUIPO OPCIONAL DE ACOPLAMIENTO

Si usted no está de apilamiento y / o Ganging cartésiana, puede omitir este paso y continuar con el montaje de la parte delantera del cajón de vidrio en la página 31.

Si usted compró los kits laterales opcionales, continúa en la página 29.

Ensamble los marcos en una superficie limpia y nivelada ANTES de instalarlos en la pared.

1. Instale 4 pernos (203-1302) y arandelas (203-1301) en los orificios cuadrados cerca del borde superior e inferior del panel lateral.
2. Coloque 4 espaciadores (R290) sobre los pernos y ponga el panel contiguo en posición para deslizar los pernos a sus orificios correspondientes.
3. Usando las 4 tuercas (203-1261) ajuste lo ensamblado hasta que quede firmemente asegurado.
4. Deslice el relleno/paragolpes hacia abajo de los rebordes. Si está suelto, apriete con unos punta fina alicates, como se muestra a continuación.



## ALCÔVE ET CORNER INSTALLATIONS

**Remarque:** Le Kit Alcove vous commandez dépend de la hauteur totale de votre meuble-lavabo ou de la meublelavabo combinaison de pile. Par exemple, si vous empilez deux meuble-lavabos de H1 (381 mm + 381 mm = 762 mm) vous devez utiliser la VMAKITH4. Un kit Alcove est nécessaire de chaque côté.

**Installé dans une alcôve - Pour tailles meilleurs standards** (nominal + 25.4 mm) Deux Alcove Kits, VMAKIT sont utilisés à la place de kits secondaires lors de l'installation de la meuble-lavabo dans une alcôve. Chaque kit Alcove ajoute 9.5 mm à la largeur nominale globale de la meuble-lavabo. L'ouverture du mur doit être de 25.4 mm écart de plus grande pour permettre écart de 3.2 mm de chaque côté de la trousse Alcove.

**La figure 1 représente la dimension d'une VM30, par exemple.**

**Installé dans une alcôve - Requiring charges supplémentaires** - Deux Kits alcôve, VMAKIT sont utilisés à la place des kits secondaires lors de l'installation de la meuble-lavabo dans une alcôve. Chaque kit Alcove ajoute 9.5 mm à la largeur nominale globale de la meuble-lavabo. Champ installé charge supplémentaire pour correspondre à la paroi est ajouté comme le montre la figure 2.

**Installation en coin** - Un Kit Alcove, VMAKIT est utilisé avec un kit unique de côté lors de l'installation de la meuble-lavabo dans un coin. Chaque kit Alcove ajoute 9.5 mm à la largeur nominale globale de la meuble-lavabo. **La figure 3 montre la dimension pour une VM30 avec un kit Alcove, par exemple.**

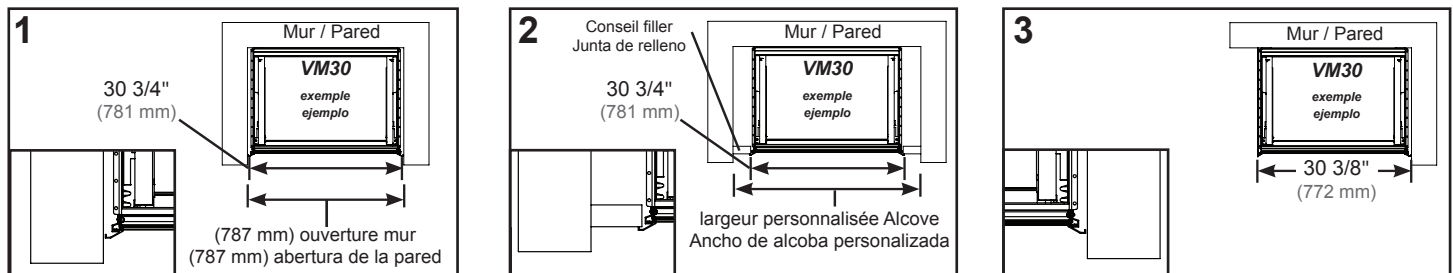
## INSTALACIONES DE ALCOBA Y DE ESQUINA

**Nota:** El Kit de alcoba usted orden depende de la altura total de su tocador o la tocador combinación pila. Por ejemplo, si se apilan dos tocadores H1 (381 mm + 381 mm = 762 mm) se usaría el VMAKITH4. Se requiere un kit de alcoba por lado.

**Instalaciones de alcoba -Para los tamaños estándar superior** (nominal + 25.4 mm) Dos Kits alcoba, VMAKIT se utilizan en lugar de kits laterales al instalar el tocador en un hueco. Cada kit alcoba añade 9.5 mm a la anchura nominal global de la tocador. La apertura de la pared debe ser de 25.4 mm de separación para permitir una mayor distancia de 3.2 mm a cada lado del kit de alcoba. **La Figura 1 muestra la dimensión para un VM30 como un ejemplo.**

**Instalaciones de alcoba -Requiring cargas adicionales** - Dos kits de alcoba, VMAKIT se utilizan en lugar de kits laterales al instalar el tocador en un hueco. Cada kit alcoba añade 9.5 mm a la anchura nominal global de la tocador. El campo de relleno instalado extra para que coincida con la pared se añade como se muestra en la Figura 2.

**Instalación de esquina** - Un kit de alcoba, VMAKIT se utiliza con un kit de un solo lado al instalar el tocador en una esquina. Cada kit alcoba añade 9.5 mm a la anchura nominal global de la tocador. **La Figura 3 muestra la dimensión para un VM30 con un kit Alcove como un ejemplo.**



[VMAKITH1]	[VMAKITH2]	[VMAKITH3]	[VMAKITH4]
191 mm Kit de finition Alcove 191 mm Kit de acabado Alcove	381 mm Kit de finition Alcove 381 mm Kit de acabado Alcove	572 mm Kit de finition Alcove 572 mm Kit de acabado Alcove	762 mm Kit de finition Alcove 762 mm Kit de acabado Alcove
[SS267] (4) écrou / (4) tuerca	[SS267] (4) écrou / (4) tuerca	[SS267] (8) écrou / (8) tuerca	[SS267] (8) écrou / (8) tuerca
[203-1390] (4) rondelle / (4) arandela	[203-1390] (4) rondelle / (4) arandela	[203-1390] (8) rondelle / (8) arandela	[203-1390] (8) rondelle / (8) arandela
[SS268] (4) Vis / (4) tornillo	[SS268] (4) Vis / (4) tornillo	[SS268] (8) Vis / (8) tornillo	[SS268] (8) Vis / (8) tornillo

robern

No. de pièce / Pieza n.° 209-1232-E-Cartesian, Profiles H2 rev. 05/16/18  
Meuble-lavabo Cartesian™, Profiles™ / Tocador Cartesian™, Profiles™

© 2016 Robern, Inc. 701 N. Wilson Ave. Bristol, PA 19007 U.S.A.  
800.877.2376 [www.robern.com](http://www.robern.com)

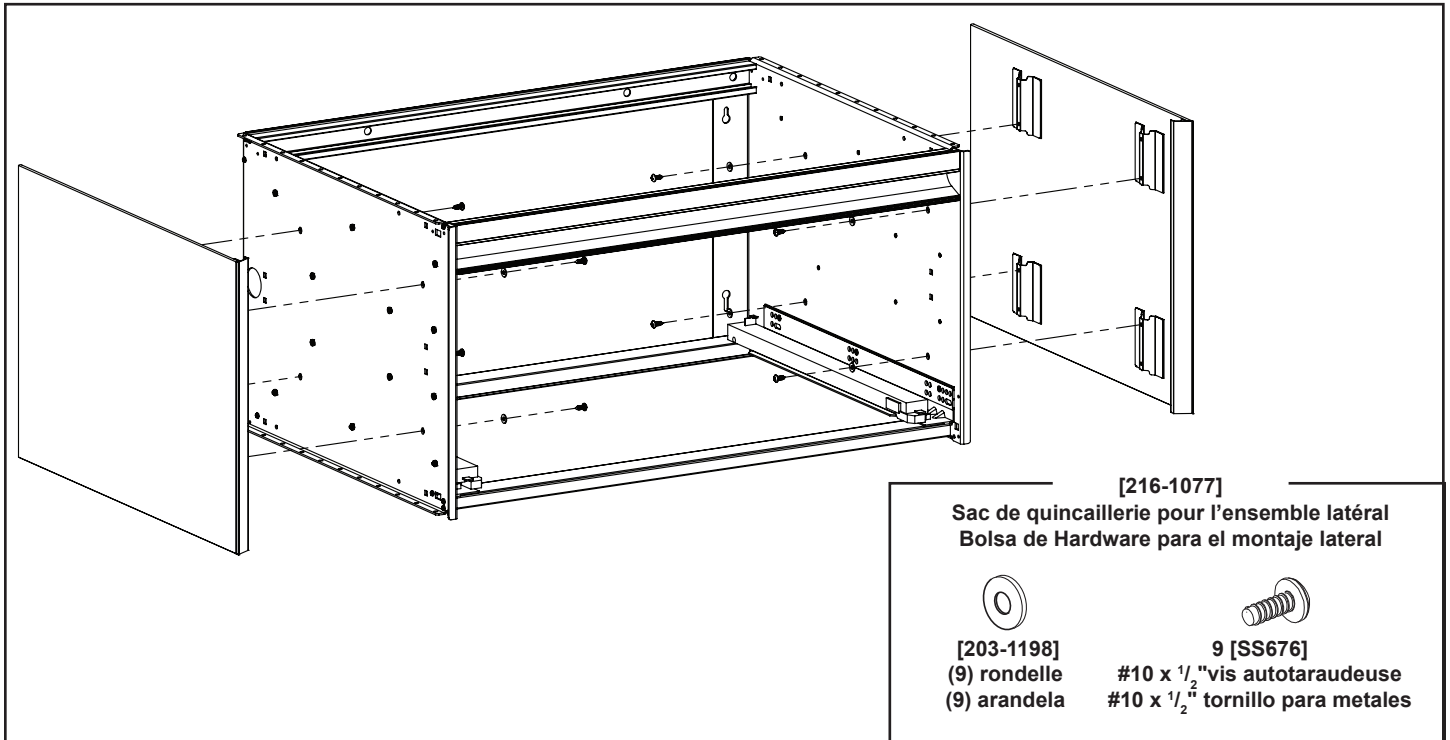
Instructions d'installation / Instrucciones de instalación

## KIT LATÉRAUX EN OPTION

Utilisez les vis #8 CB-SS269 et les rondelles CB-203-1198 comprises pour fixer les verres latéraux.

## KIT PANEL LATERAL OPCIONAL

Utilice los tornillos #8 CB-SS269 y la arandela CB-203-1198 que se proporcionan para fijar los paneles de vidrio laterales.

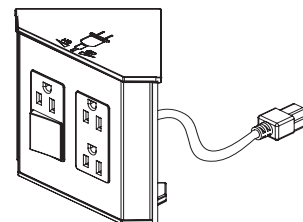
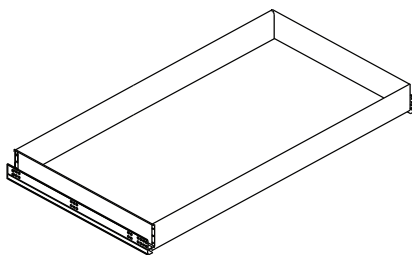
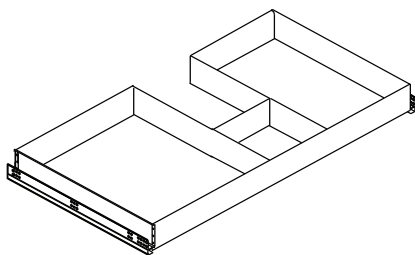


## INSTALLATION DES ACCESSOIRES

Installez le option meuble-lavabo insertion de tiroir diapositives avant d'installer le comptoir ou plomberie. Voir page 30.

Si vous avez la prise en option la veilleuse et dans l'unité de test.

Voir les instructions relatives VAELECTRIC accessoire.



## INSTALACIÓN DE ACCESORIOS

Instale el opcional Tocador cajón Insertar diapositivas antes de instalar la encimera o plomería. Vea la página 30.

Si usted tiene el plug-opcional la luz de noche unidad y prueba.

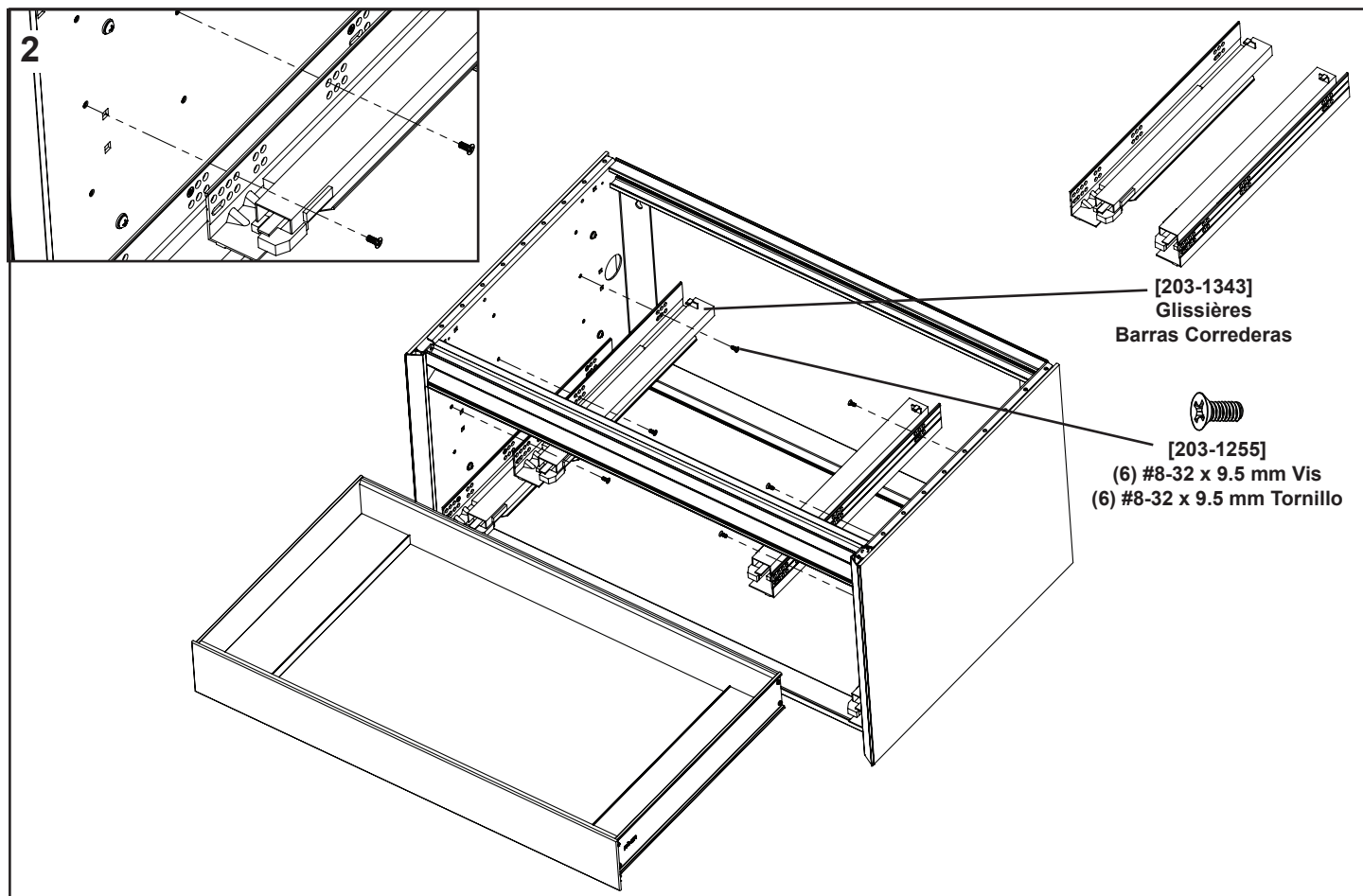
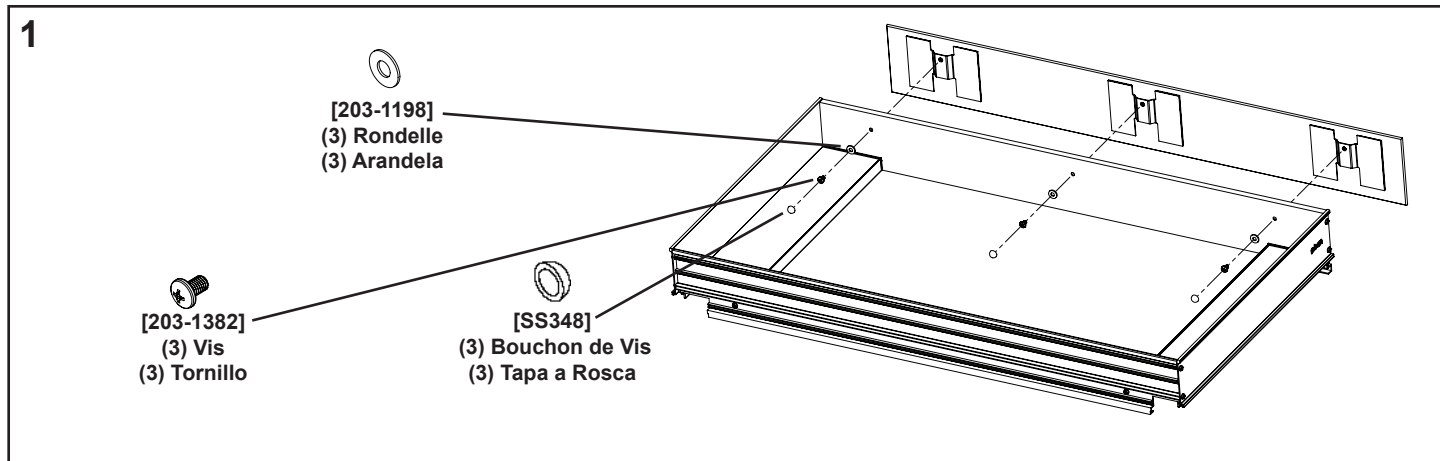
Consulte las instrucciones específicas para VAELECTRIC accesorio.

## EN OPTION INSÉRER TIROIR

1. Enfilez la vis et la rondelle à travers les trous dans le tiroir à l'avant du verre.
2. Installez le tiroir mince optionnel en utilisant les vis et les glissières fournies comme le montre le graphique ci-dessous.

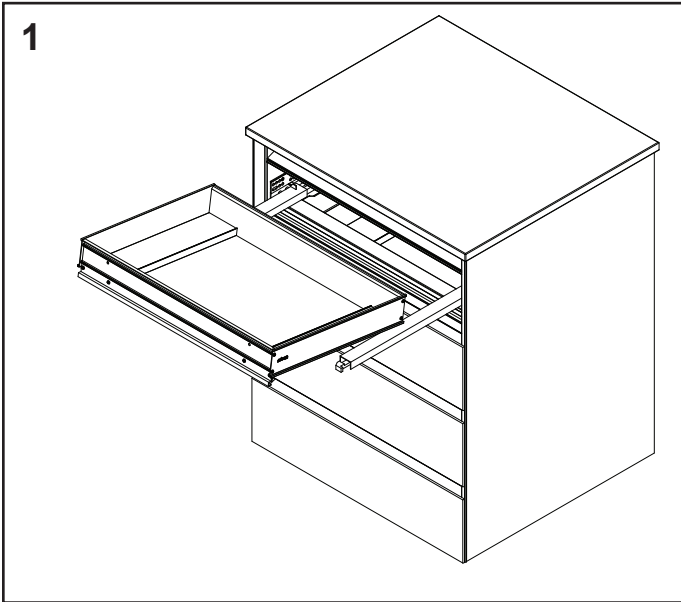
## OPCIONAL INSERTAR CAJÓN

1. Pase el tornillo y la arandela a través de los agujeros en el interior del cajón al frente de vidrio.
2. Instale el compartimiento para cajonera opcional usando los tornillos y las barras correderas como se muestra abajo.



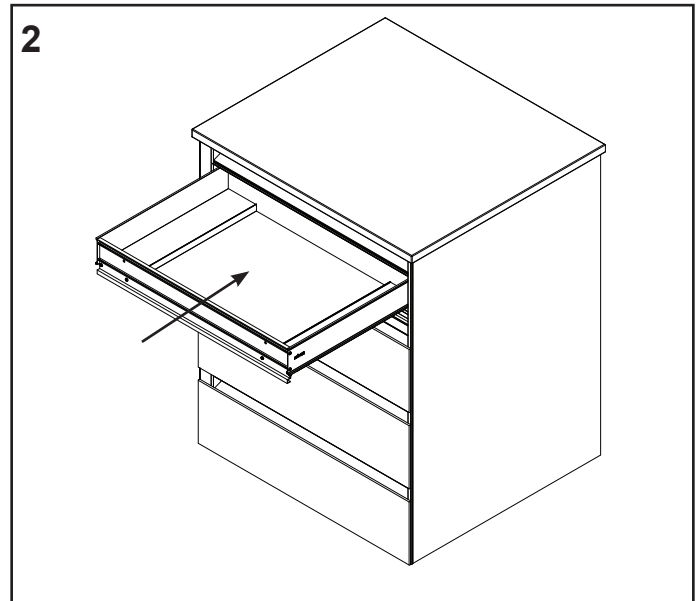
## INSTALACIÓN DEL CAJÓN

1. Placez le tiroir sur les glissières du tiroir comme indiqué.
2. Poussez le tiroir jusqu'à entendre un son audible de chaque côté.
3. Assurez-vous que la goupille de verrouillage à l'arrière du tiroir glisse dans le tiroir des deux côtés, et que les clips sont fermement engagés avant de lâcher le tiroir.



## INSTALACIÓN DEL CAJÓN

1. Coloque el cajón en los portaobjetos del cajón como se muestra.
2. Presione el cajón hasta que se escuche un sonido en cada lado.
3. Asegúrese de que el pasador de bloqueo en la parte posterior de los deslizadores del cajón enganche el cajón en ambos lados, y que los clips estén firmemente enganchados antes de soltar el cajón.





## VERRE FAÇADE DE TIROIR

Si vous installez VAELECTRIC, voir les instructions séparées avant d'installer les façades de tiroirs en verre.

Installez le comptoir et de la plomberie avant l'installation des façades de tiroirs en verre.

1. La face avant du tiroir est d'abord accroché à deux les trous de serrure sur chaque côté de la boîte de tiroir. Installez 2 # 8-32 x 1/2 "vis (203-1219) SANS rondelles sur le fond de chaque support dans la façade du tiroir. Voir la figure 1.

2. Accrochez la façade du tiroir sur le tiroir-caisse et sur Installer les vis restantes AVEC rondelles dans les deux fils restants dans la tranche avant du tiroir comme illustré à la figure 2. Tighten fermement les vis après le tiroir avant est de niveau et même avec les kits secondaires.

3. Refermez le cache-vis sur les vis en serrant doucement à "Robern".

## GLASS FRENTE DEL CAJÓN

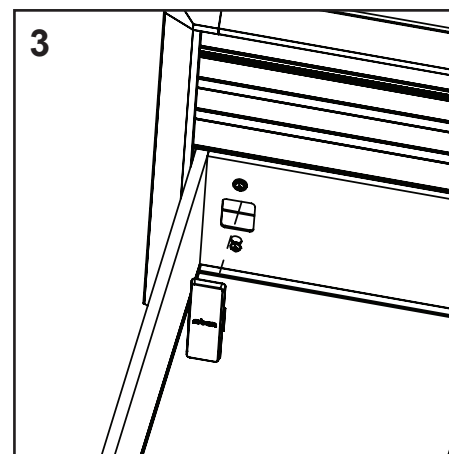
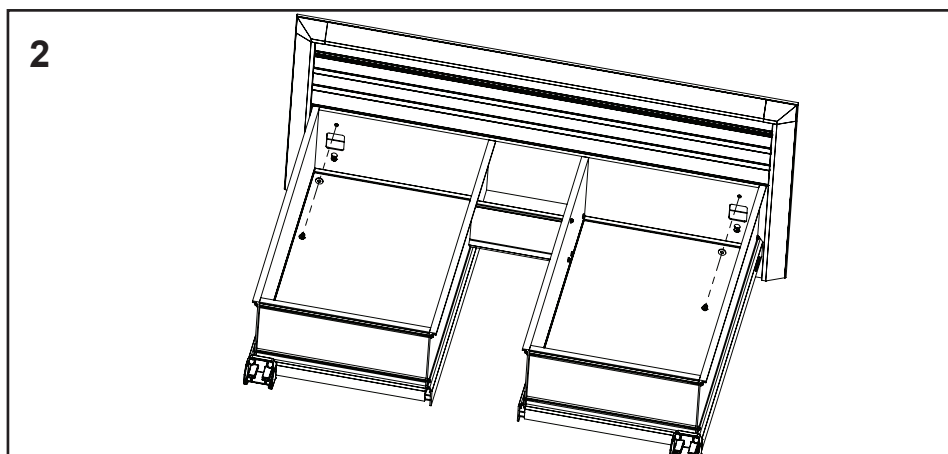
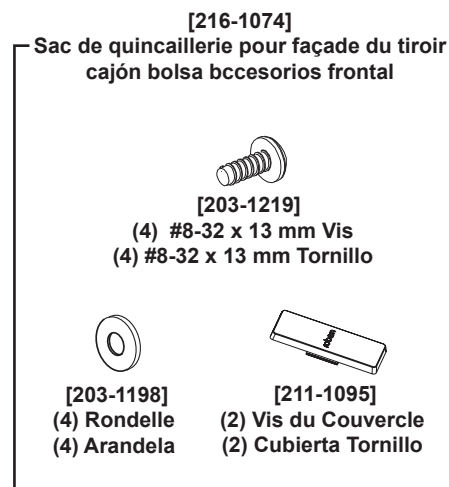
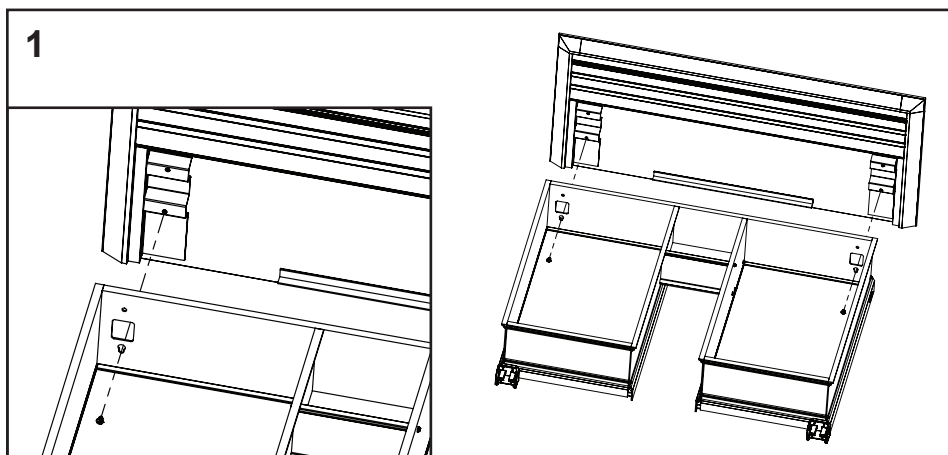
Si va a instalar VAELECTRIC, vea las instrucciones por separado antes de instalar los frontales de los cajones de cristal.

Instalar la encimera y la plomería antes la instalación de los frentes de los cajones de cristal.

1. El frente del cajón se cuelga primero de dos orificios de cada lado de la caja de cajón. Instale 2 # 8-32 x 1/2 "tornillos (203-1219) SIN arandelas en la parte inferior de cada uno soporte en el frente del cajón. Consulte la Figura 1.

2. Cuelgue el frente del cajón en la caja del cajón y instala el los tornillos restantes con arandelas en los dos temas restantes en el soporte del frente del cajón, como se muestra en la Figura 2. Tighten los tornillos firmemente después de la gaveta delantera es de nivel e incluso con los kits secundarios.

3. Cierre el cubre tornillos en los tornillos apretando suavemente a "Robern".



robern

© 2016 Robern, Inc. 701 N. Wilson Ave. Bristol, PA 19007 U.S.A.  
800.877.2376 [www.robern.com](http://www.robern.com)

Instructions d'installation / Instrucciones de instalación

No. de pièce / Pieza n.º 209-1232-E-Cartesian, Profiles H2 rev. 05/16/18  
Meuble-lavabo Cartesian™, Profiles™ / Tocador Cartesian™, Profiles™

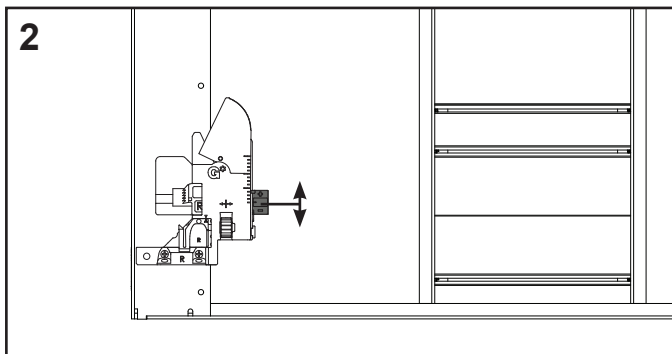
## AJUSTEMENT DES FACES DU TIROIR

Remarque: Une bonne installation est très importante pour un alignement correct du devant du tiroir sur les vannes Robern. S'assurer que la vanité est de niveau et carré dans toutes les directions est très important.

1. Les ajustements bruts sont effectués en desserrant les vis de montage avant du tiroir et en les serrant lorsque le tiroir est bien aligné. Reportez-vous aux vis utilisées dans l'installation frontale du tiroir à la page X. Vous pouvez régler l'avant verticalement et horizontalement à cette étape. Lorsque vous travaillez avec plusieurs assemblages de tiroirs, effectuez cette opération sur tous les tiroirs avant de continuer.

2. Des réglages fins peuvent être effectués avec les fonctions de réglage incorporées dans les clips de verrouillage. Le réglage de la hauteur de la façade du tiroir se fait avec les curseurs comme indiqué dans les images ci-dessous. Chaque côté peut être ajusté indépendamment.

3. Le réglage fin du réglage de gauche à droite peut être effectué uniquement sur les tiroirs H2. Utilisez les images ci-dessous pour référence. Il est recommandé d'ajuster les deux roues dans la même direction en quantités égales.



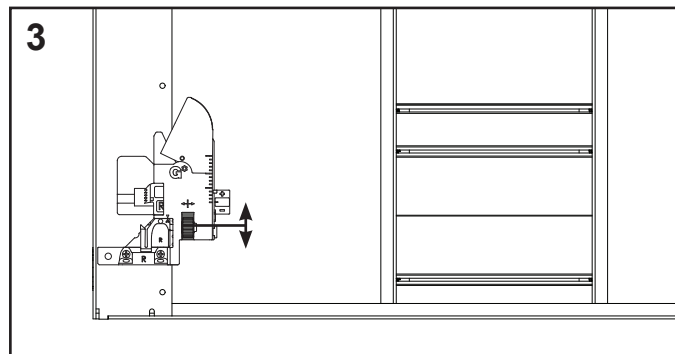
## AJUSTE DE LOS FRENTES DEL CAJÓN

Nota: la instalación correcta es muy importante para alinear correctamente el frente del cajón en los tocadores de Robern. Asegurarse de que el tocador esté nivelado y cuadrado en todas las direcciones es muy importante.

1. Los ajustes aproximados se realizan aflojando los tornillos de montaje del frente del cajón y ajustándolos cuando el cajón está bien alineado. Consulte los tornillos utilizados en la instalación del frente del cajón en la página X. Puede ajustar el frente tanto vertical como horizontalmente en este paso. Cuando trabaje con conjuntos de cajones múltiples, realice este paso en todos los cajones antes de continuar.

2. Se pueden hacer ajustes finos con las características de ajuste incorporadas en los clips de bloqueo. El ajuste de altura del frente del cajón se realiza con los controles deslizantes como se muestra en las imágenes a continuación. Cada lado se puede ajustar de forma independiente.

3. El ajuste fino del ajuste de izquierda a derecha solo puede realizarse en los cajones H2. Use las imágenes a continuación para referencia. Se recomienda ajustar ambas ruedas en la misma dirección en cantidades iguales.

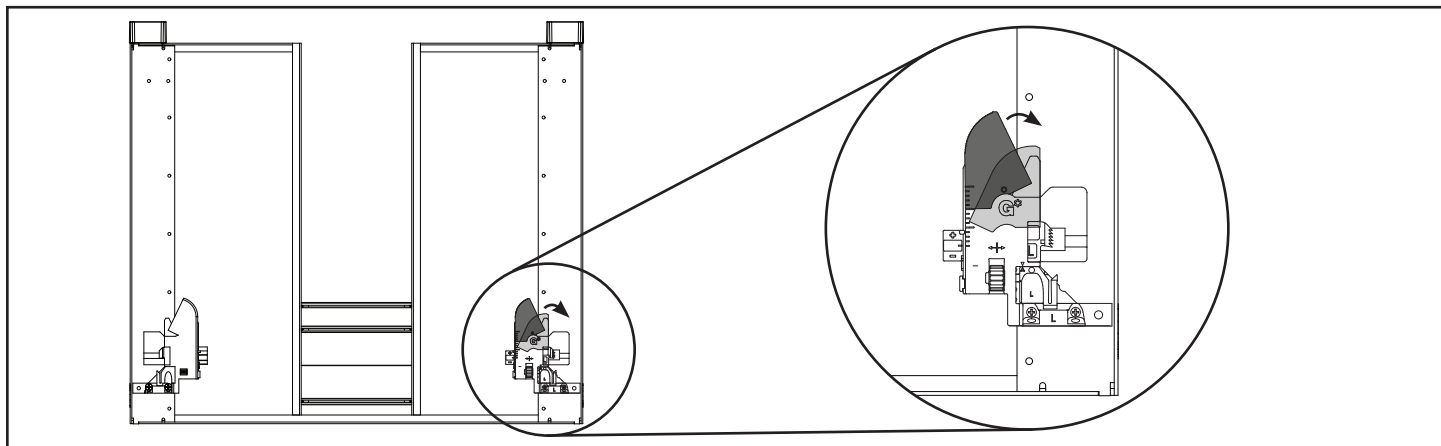


## RETRAIT DU TIROIR

1. Si un tiroir doit être retiré, aucun outil n'est nécessaire. Regardez l'image des clips du tiroir ci-dessous. Cette vue regarde au fond du tiroir.
2. Atteindre sous chaque côté du tiroir, tirer les leviers sur les dispositifs de verrouillage pour désengager les clips, et tirer le tiroir. **! Attention: Vous allez maintenant porter le poids du tiroir!**
3. Placez le tiroir sur du carton ou quelque chose de doux pour éviter tout dommage.

## REMOCIÓN DE GAVETAS

1. Si un cajón necesita ser removido, no se requieren herramientas. Mira la imagen de los clips del cajón a continuación. Esta vista está mirando hacia la parte inferior del cajón.
2. Alcanzando cada lado del cajón, tire de las palancas de los dispositivos de bloqueo para desenganchar los clips y tire del cajón. **! Precaución: ¡Ahora cargará con el peso del cajón!**
3. Coloque el cajón sobre cartón o algo blando para que no se produzcan daños.



## UTILISATION ET ENTRETIEN

Les côtés, tiroirs, façades et l'intérieur de la meuble-lavabo sont fabriqués en verre et en aluminium. Utilisez seulement un chiffon doux pour le nettoyage. Des nettoyeurs à base d'ammoniac ou de vinaigre peuvent endommager les miroirs.

Une solution 50/50 d'alcool isopropylique et de l'eau est recommandé pour nettoyer la meublelavabo. Un détergent doux peut être utilisé sur des surfaces.

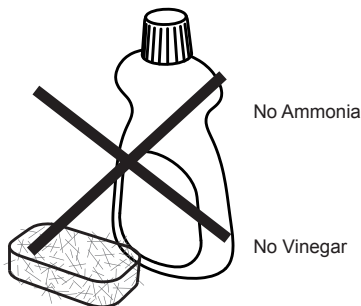
Lors du nettoyage, vaporiser le tissu, pas les surfaces meuble-lavabo, miroir, ou surround. Ne pas utiliser de nettoyeurs abrasifs sur toute partie de la meuble-lavabo.

## USO Y MANTENIMIENTO

Los lados, cajones, fachadas y el interior de la tocador está hecho de vidrio y aluminio. Utilice sólo un paño suave para la limpieza. Limpiadores a base de amoníaco o vinagre pueden dañar los espejos.

Se recomienda una solución 50/50 de agua y alcohol isopropílico para limpiar el tocador. Un detergente suave se puede usar en las superficies.

Durante la limpieza, rociar el paño, no las superficies de tocador, espejo, o de sonido envolvente. No use limpiadores abrasivos en ninguna parte de la tocador.



---

## GARANTIE

### Garantie limitée d'une durée d'un an

Robern garantit à l'acheteur d'origine qu'elle va, à son choix, réparer, remplacer ou faire les ajustements appropriés aux produits fabriqués par cette compagnie s'avérant avoir un vice significatif de matériau ou de main-d'oeuvre qui sera rapporté par écrit à Robern dans une période d'un (1) an de la date de livraison. Robern n'est pas responsable des coûts de l'installation. La garantie est annulée dans l'éventualité où le produit serait endommagé dans le transit, ou si la défaillance ou le dommage est causé par un abus, un mauvais usage, un usage anormal, une mauvaise installation, un dommage par un accident, un entretien inadéquat, ou pour toute réparation autre que celles autorisées par Robern. À l'expiration de la période de garantie d'un an, Robern n'aura plus aucune obligation sous quelque garantie, qu'elle soit expresse ou implicite, incluant la garantie implicite de qualité marchande. Robern n'est pas responsable pour tout dommage indirect survenant de ou en relation avec l'utilisation ou la performance de ses produits. Certains États ne permettent pas la limitation sur la période que dure une garantie implicite ou ne permettent pas la limitation de dommages indirects ou consécutifs, ainsi les limitations ci-dessus peuvent ne pas s'appliquer à vous. Toute responsabilité de Robern sous quelque garantie implicite, incluant une garantie de qualité marchande, est expressément limitée aux termes de cette garantie. La permission de retourner de la marchandise sous cette garantie doit être autorisée par Robern et la marchandise doit être retournée frais de poste prépayés par l'acheteur. Les réclamations sous cette garantie doivent être transmises directement à votre marchand.

© Robern, Inc., 2016.  
TOUS DROITS RÉSERVÉS

---

## GARANTÍA

### Garantía Limitada Término de Un Año

Robern garantiza al comprador original que, a opción de Robern, reparará, reemplazará o hará los ajustes necesarios a los productos fabricados por esta compañía que muestren que tienen defectos importantes en los materiales o en la mano de obra y que se informen a Robern por escrito dentro de un (1) año a partir de la fecha de entrega. Robern no es responsable de los costos de la instalación. La garantía está anulada si el producto se daña durante el transporte, o si el daño o la falla son causados por el abuso, el uso incorrecto, el uso anormal, una instalación deficiente, daños en un accidente, mantenimiento incorrecto, o reparaciones además de las aquellas autorizadas por Robern. Una vez expirado el período de garantía de un año, Robern no estará bajo ninguna obligación adicional bajo ninguna garantía, expresa ni implícita, incluyendo la garantía implícita de comercialización. Robern no será responsable de ningún daño consecuente que surja de o en conexión con el uso o el rendimiento de sus productos. Algunos estados no permiten limitaciones con respecto a la duración de una garantía implícita o no permiten la exclusión ni la limitación de daños incidentales o consecuentes, de manera que es posible que la limitación o exclusión de más arriba no se aplique a usted. Cualquier responsabilidad contra Robern bajo cualquier garantía implícita, incluyendo la garantía de comercialización, está expresamente limitada a los términos de esta garantía. La autorización para retornar cualquier mercadería bajo esta garantía debe ser aprobada por Robern y el retorno debe ser prepagado por el comprador. Los reclamos sobre esta garantía se deberán enviar directamente a su distribuidor.

© Robern, Inc., 2016.  
TODOS LOS DERECHOS RESERVADOS