

**Craft Series Vanity Top**  
**TA30MCOXXX-8CS8 Integrated Basin Vanity Top Specification Sheet**

**FEATURES**

- Mineral cast integrated sink and top
- 8" (203 mm) widespread faucet holes
- Rectangular basin
- Overflow drain
- Removable drain cover

**CODES & STANDARDS**

- UPC/cUPC certified to IAPMO requirements

**OPTIONS**

Finish colors available:

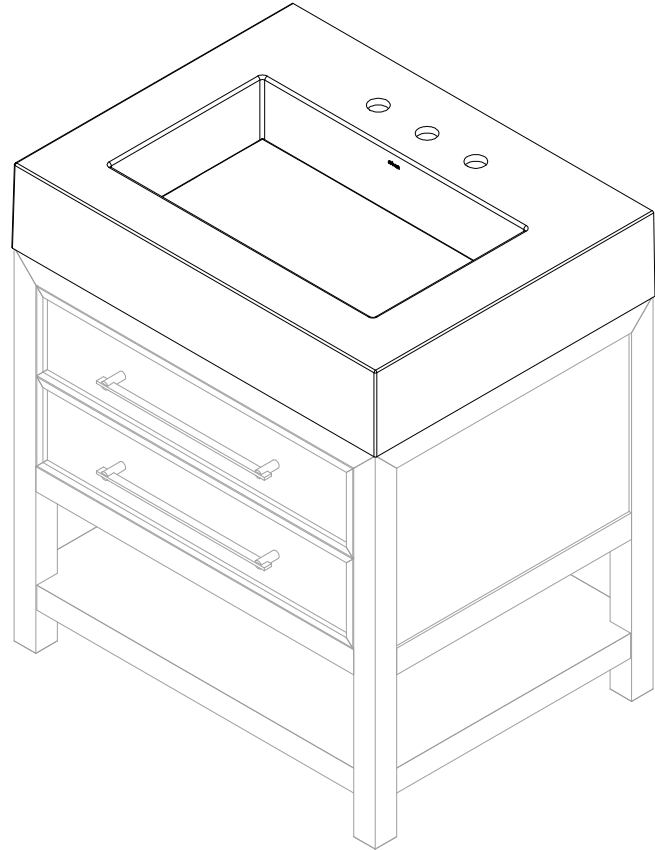
- TA30MCO102-8CS8 - Matte White

Compatible Craft Series Vanities:

- CVSK3020469 - Skaarsgard, Rustic Oak with Brushed Pewter

**DIMENSIONS**

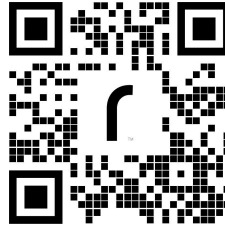
- Width: 29-7/8" (759 mm)
- Depth: 22-15/16" (582 mm)
- Thickness: 6" (152 mm)



**MODEL NUMBER KEY**

<u>PRODUCT LINE</u>	<u>WIDTH</u>	<u>SINK TYPE</u>	<u>SINK LOCATION</u>	<u>OVERFLOW</u>	<u>FINISH COLOR</u>	<u>FAUCET PATTERN</u>
TA	30	M = Machined/Molded	C = Center	O = Overflow	(See above)	- 8CS8 = 8" (203 mm) Three Hole Spread

**MORE INFORMATION**



Scan the QR code to see the details found in the Craft Series Integrated Top installation instructions.

Use the camera app on your mobile device to look at this QR code. This will allow you to quickly access web pages and other relevant documents.

