

K-3936T-P VAULT 沃特

U/C APRON FRONT SINK 裙边台下单槽厨盆 CUT-OUT TEMPLATE / INSTALLATION INSTRUCTIONS 切割图/安装说明书

BEFORE YOU BEGIN

IMPORTANT! Before beginning this installation, refer to the "Roughing-In" section for cabinet dimensional requirements.

IMPORTANT! This sink must be installed prior to the installation of the countertop. Cut-line is based from the front face of the cabinet.

IMPORTANT! Long screws may damage adjacent cabinets. Ensure the screws are long enough to secure the support framing, but short enough not to extend through the inner walls of the adjacent cabinets.

- Due to the nature of undercounter installations, Kohler Co. recommends that undercounter sink installations be performed by trained and experienced installers.
- Use proper fasteners and techniques to ensure that the frame will support a minimum of 300 lbs (136 kg). Locate the fasteners for easy access in the event the sink needs to be removed.
- Plan the sink installation so future removal from underneath the countertop is possible without damaging the countertop. **Do not use adhesive sealants.**
- This sink is intended for installation into a standard 30" base cabinet.
- For ease of installation, install the strainer assemblies to the sink prior to installing the sink.
- Inspect the drain and supply tubing; replace if necessary. Anchors and fasteners to be provided and installed by the countertop manufacturer.
- Observe all local plumbing and building codes.
- This product complies with Q/KLCW 1-2014.

RECOMMENDED TOOLS AND MATERIALS

- Safety Glasses
- Measuring Tape
- Pencil
- Drill
- Putty Knife
- Silicone Sealant
- Pipe Wrench
- Plumbers Putty

Plus:

- Level
- Cross Screwdriver
- Keyhole/Jigsaw
- Gloves

安装之前

重要! 开始安装前, 关于厨柜的尺寸要求请参考“尺寸图”。

重要! 水槽必须在工作台面安装前安装。切割线从厨柜的正面前方开始。

重要! 长螺丝可能会损坏相邻的厨柜。确保螺丝足够长以固定支撑架, 但不可穿过相邻厨柜的内壁。

- 由于嵌入式安装性质, 科勒公司建议嵌入式水槽安装由具备相关资质的安装人员进行。
- 使用合适的紧固件和工艺确保支架能至少承受300磅(136公斤)载荷。如水槽需要拆卸, 请将紧固件放置在便于拿取的地方。
- 规划水槽安装, 以便日后将其从工作台面取下时不会损坏工作台面。 **请勿使用粘性密封胶。**
- 本水槽用于安装至一个标准的30英寸厨柜中。
- 为了方便安装, 安装水槽前将水槽下水器组件安装到水槽中。
- 检查排水管和供水管, 必要时更换。
- 由厨房工作台面生产商提供并安装锚栓和紧固件。
- 遵循当地所有的管道和建筑规范。
- 本产品符合Q/KLCW 1-2014。

推荐使用的工具和材料

- 安全眼镜
- 测量尺
- 铅笔
- 电钻
- 灰泥刀
- 硅胶
- 管道扳手
- 管道用灰泥

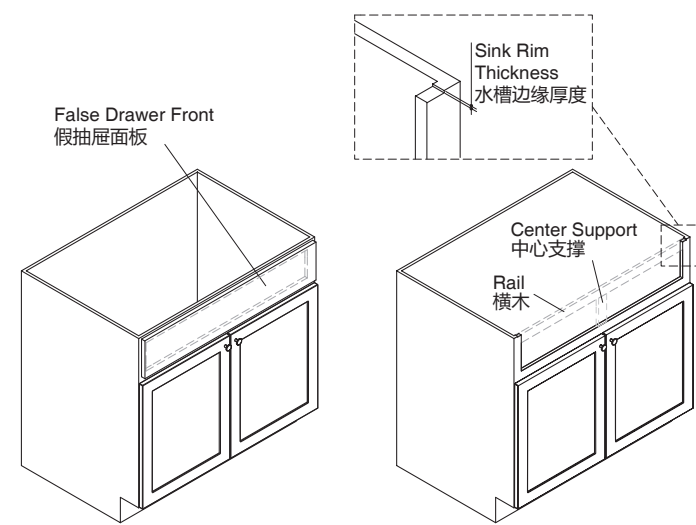
其它:

- 水平尺
- 十字螺丝刀
- 钥匙孔或曲线锯
- 手套

INSTALL THE NEW SINK

1. Preparation

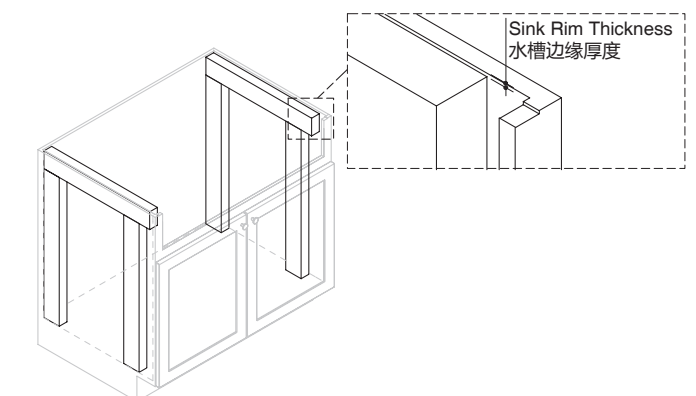
- Remove the false drawer front from your cabinet.
- Carefully cut away the top rail and center support.
- Notch the cabinet as shown to accommodate the thickness of the sink rim. Top of sink should be flush with the top of the cabinet when installed.



2. Install Wood Supports

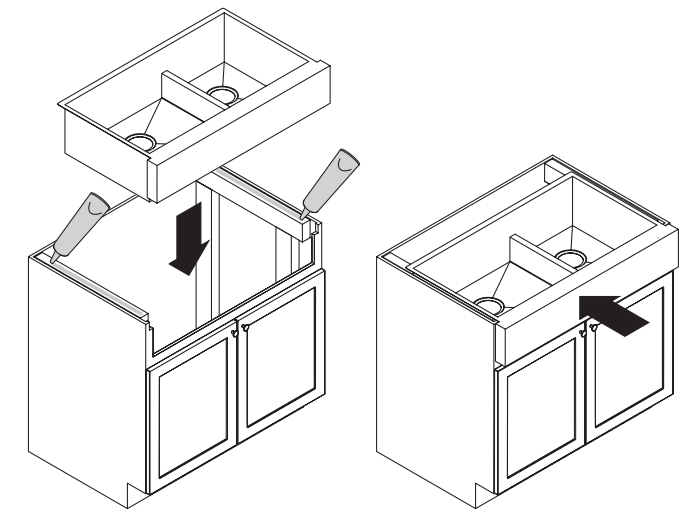
NOTICE: For proper countertop installation, the top of the sink must not extend above the top edge of the cabinet.

- Cut two lengths of support framing to extend along the inside walls on each side of the base cabinet.
- Measure and mark the support mounting locations; ensuring the sink rim will sit at, or slightly below the top edge of the cabinet.
- Position and level the supports.
- Secure the supports with construction adhesive and screws (not provided).
- Cut four lengths of support framing to extend from the bottom of the installed supports to the floor of the cabinet.
- Secure the vertical supports with construction adhesive and screws (not provided).



3. Install the Sink

- Lower the sink into the cabinet. Verify the sink is supported by the frame.
- Verify the sink is level, make any adjustments and shim as needed.
- Remove the sink.
- Apply a bead of sealant to the top of each support.
- Lower the sink onto the supports and push in to ensure the apron is flush to the front of the cabinet.

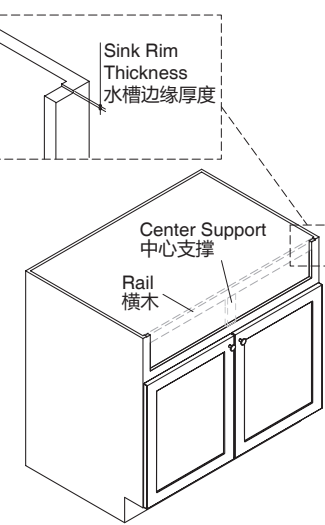


667mm

安装新水槽

1. 准备安装

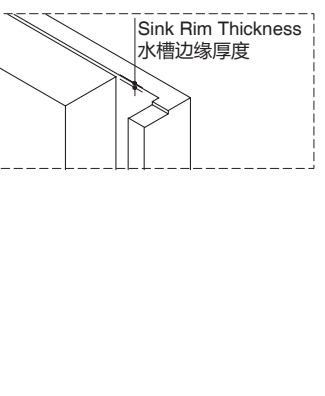
- 将假抽屉面板从厨柜上取下。
- 小心切掉顶部横木和中心支撑。
- 如图所示切开厨柜以适应水槽边缘的厚度。安装完成时, 水槽顶部应与厨柜顶部齐平。



2. 安装木支撑

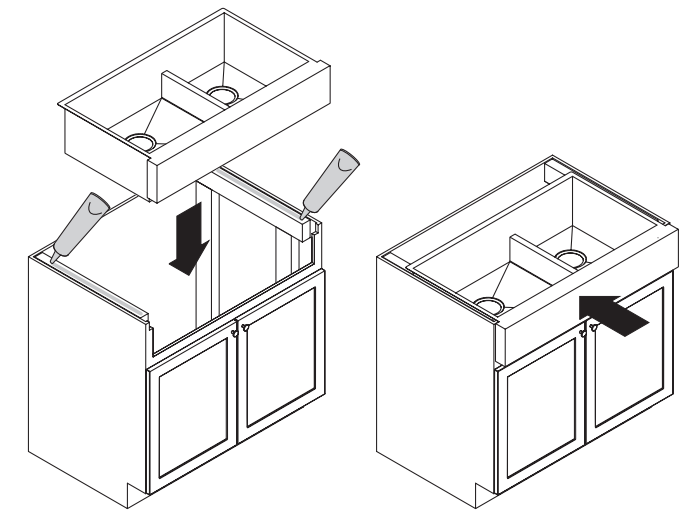
注意: 为了正确安装工作台面, 水槽顶部不能超出厨柜顶部边缘。

- 切割两段支架, 将其沿着底柜两侧的内壁延伸。
- 测量并标记支撑安装位置, 确保水槽边缘位于或略低于厨柜顶部边缘。
- 确定支撑位置并将其整平。
- 用建筑胶粘剂为桌面支撑和螺丝(未提供)。
- 切割四段支架, 将其从安装的支撑底部穿到厨柜地面固定。
- 用建筑胶粘剂和螺丝垂直固定(未提供)。



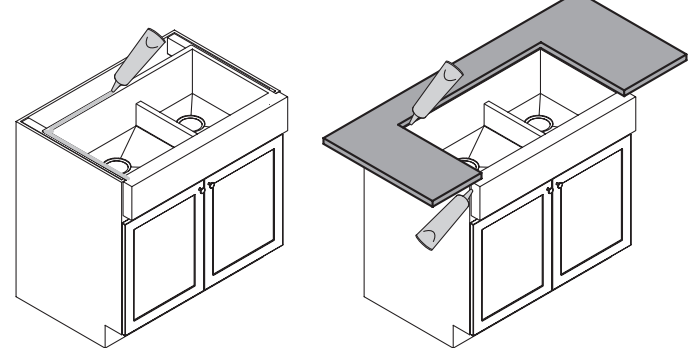
3. 安装水槽

- 将水槽放进厨柜中。确认水槽落在架子上。
- 确认水槽水平, 必要时进行调整并附加垫片。
- 取下水槽。
- 在每个支架的顶部涂上一层密封胶。
- 将水槽放在支架上并将其推入确保挡水板与厨柜前面平齐。



4. Install the Countertop

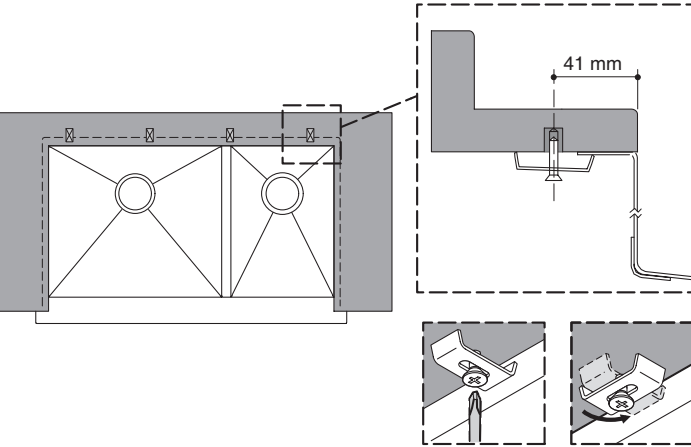
- Apply a bead of silicone sealant around the side and back of the sink.
- Install the countertop.
- Apply a thin bead of silicone sealant where the sink meets the countertop and cabinet.



5. Secure the Sink

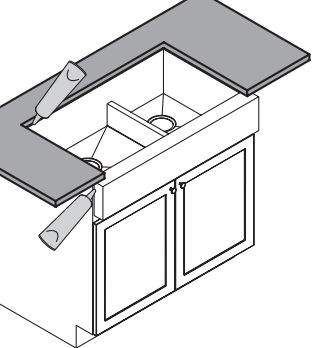
NOTICE: Anchors are pre-installed by the countertop manufacturer.

- Install the clips to the countertop, ensure each clip engages the rim. Tighten evenly.
- Wipe away any excess sealant.



4. 安装厨房工作台面

- 在水槽的侧面和背面周围涂上一层硅密封胶。
- 安装厨房工作台面。
- 在水槽与厨房工作台面和厨柜相接的地方涂上薄薄一层硅密封胶。



5. 固定水槽

注意: 锚栓由厨房工作台面生产商预先安装。

- 将夹子安装在厨房工作台面上, 确保每个夹子夹住水槽边缘。用力将其均匀紧固。
- 擦掉多余的密封胶。

CARE AND CLEANING

Stainless Steel

Rinse your stainless steel sink thoroughly after each use, and use a dabbing action to dry with a clean, soft cloth. Clean stainless steel once a week.

Always apply stainless steel cleaner/polish with a nonabrasive cloth or sponge, working with, not across the grain. **Do not** use steel wool, wire brushes or abrasive pads to clean your sink.

If you use cleaners containing chlorides, be sure to rinse the surface immediately after you clean it to avoid corrosion. **Do not** allow cleaners to remain in contact with the sink surface for long periods of time.

Kohler kitchen sink accessories, including bottom basin racks, wire rinse baskets, cutting boards and colanders will help protect the surface of your sink.

If the surface becomes excessively dirty, consider using baking soda, or a general purpose cleaner.

Do not wash bottoms of knife rack and accessory rack directly. Please clean them with cloth.

保养和清洁指南

不锈钢

每次使用后, 请彻底冲洗您的不锈钢水槽, 并使用清洁的软布将其擦干。对于不锈钢用品, 请每周清洗一次。

请使用非磨擦性的布或海绵, 并用不锈钢专用清洁剂/光亮剂进行清洗, 而不要使用带颗粒的清洁剂。 **不要**使用钢丝球、钢丝刷或者研磨性的抹布清洁不锈钢水槽。

如果您使用了含有氯化物的清洁剂, 在您清洁水槽之后, 确保立即对水槽表面进行冲洗, 以防止腐蚀。 **不要**让清洁剂在您的水槽表面停留过长时间。

科勒厨房水槽附件, 包括底部盆架、金属冲洗篮、砧板和沥水篮均有助于保护您的水槽表面。

如果水槽表面很脏, 使用碳酸氢钠, 或普通的清洁剂进行清洗。

勿用水直接冲洗刀架及杂物架底部。请用抹布擦拭清洗。

WHEN PLOTTING TEMPLATE FULL SIZE:

Make sure horizontal and vertical dimensions match the dimensions labeled on the template.

当在台面上比一比描绘切割线时, 务必确保模板的水平和竖直尺寸与模板上标注的一致。

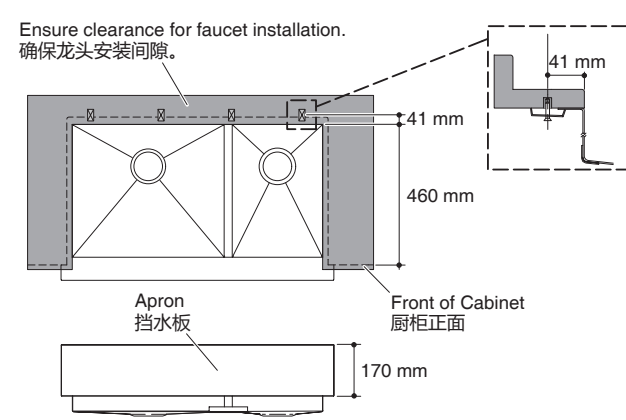
R13

460mm

PROFILE OF SINK
水槽侧面

ROUGHING-IN

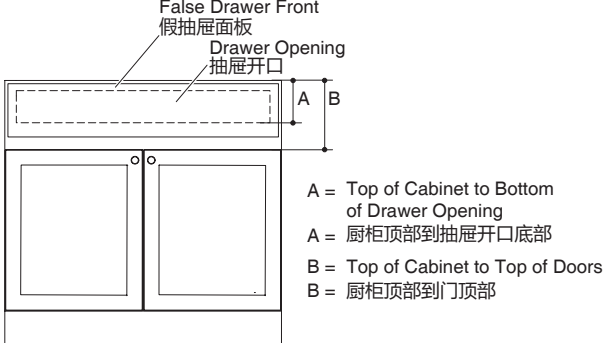
Reference Value
参考值



IMPORTANT! Before installing this sink, verify the opening height (A) is less than the apron height and the distance to the top of the doors (B) is greater than the apron height.

尺寸图

UNIT: mm
单位: 毫米



重要! 安装水槽前, 确认开口高度(A)低于挡水板高度, 且距门(B)顶部的距离高于挡水板高度。

Kohler reserves the right to change marked dimensions without prior notice.
科勒公司保留随时变更图中标示尺寸的权利, 无需另行通知。

38mm

CUT ALONG THIS LINE
沿此线切割

FRONT OF COUNTERTOP
厨房工作台面正前