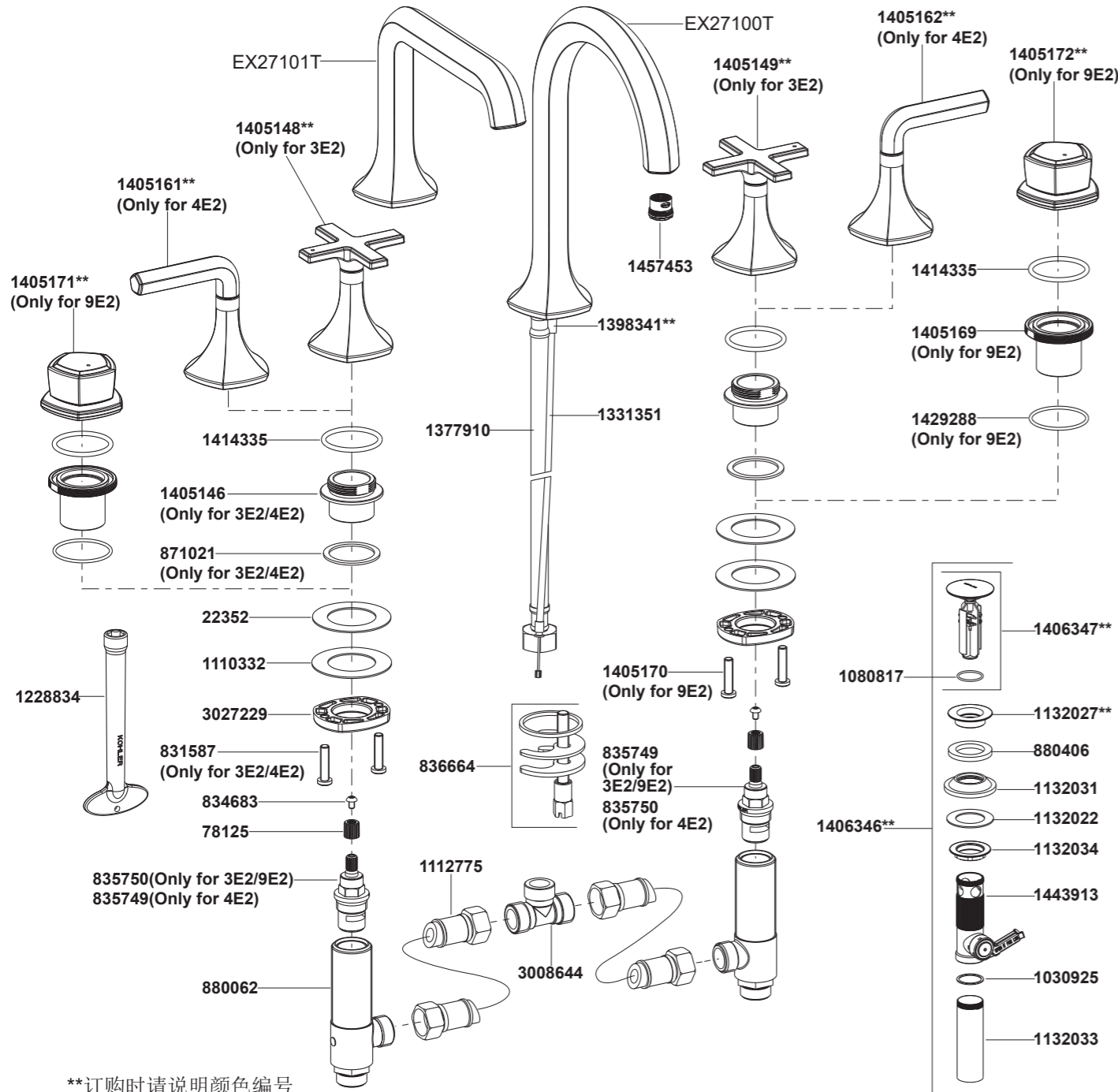


- EX27100T-3E2 8寸脸盆龙头(曲管型出水嘴, 十字型把手)
- EX27100T-4E2 8寸脸盆龙头(曲管型出水嘴, 杆型把手)
- EX27100T-9E2 8寸脸盆龙头(曲管型出水嘴, 柱型把手)
- EX27101T-3E2 8寸脸盆龙头(直杆型出水嘴, 十字型把手)
- EX27101T-4E2 8寸脸盆龙头(直杆型出水嘴, 杆型把手)
- EX27101T-9E2 8寸脸盆龙头(直杆型出水嘴, 柱型把手)



\*\*订购时请说明颜色编号

\*\*Color code must be specified when ordering

- EX27100T-3E2 8寸脸盆龙头(曲管型出水嘴, 十字型把手)
- EX27100T-4E2 8寸脸盆龙头(曲管型出水嘴, 杆型把手)
- EX27100T-9E2 8寸脸盆龙头(曲管型出水嘴, 柱型把手)
- EX27101T-3E2 8寸脸盆龙头(直杆型出水嘴, 十字型把手)
- EX27101T-4E2 8寸脸盆龙头(直杆型出水嘴, 杆型把手)
- EX27101T-9E2 8寸脸盆龙头(直杆型出水嘴, 柱型把手)

### 安装之前

所有的资料是按最新出版的产品资料编写而成。科勒公司保留任何时候不经通知即可改变产品特性、包装或产品可供类型的权利。

说明书包括重要的安装、保养及清洁方面的内容，请把这些资料交给用户阅读。

#### 注意事项：

- 一定要先彻底冲洗供水管以清除管道中的杂质。
- 尽可能在安装脸盆之前安装水龙头。
- 检查供水管有无损坏漏水。如需要，进行替换维修。
- 遵守当地管路安装条例。
- 切断供水管路。

### BEFORE YOU BEGIN

All information is based on the latest product information available at the time of publication. Kohler Co. reserves the right to make changes in product characteristics, packaging, or availability at any time without notice.

Please leave these instructions for the consumer. They contain important information.

#### NOTES:

- Flush the water supply pipes thoroughly to remove debris.
- If possible, install this faucet before installing the lavatory.
- Inspect the supply tubing for damage and leakage. Replace and maintain as necessary.
- Observe local plumbing codes.
- Shut off the water supplies to the fitting.

### 使用说明

对于杆型把手，逆时针旋转左把手为热水，顺时针旋转右把手为冷水。

对于十字型和柱型把手，顺时针旋转左把手为热水，逆时针旋转右把手为冷水。

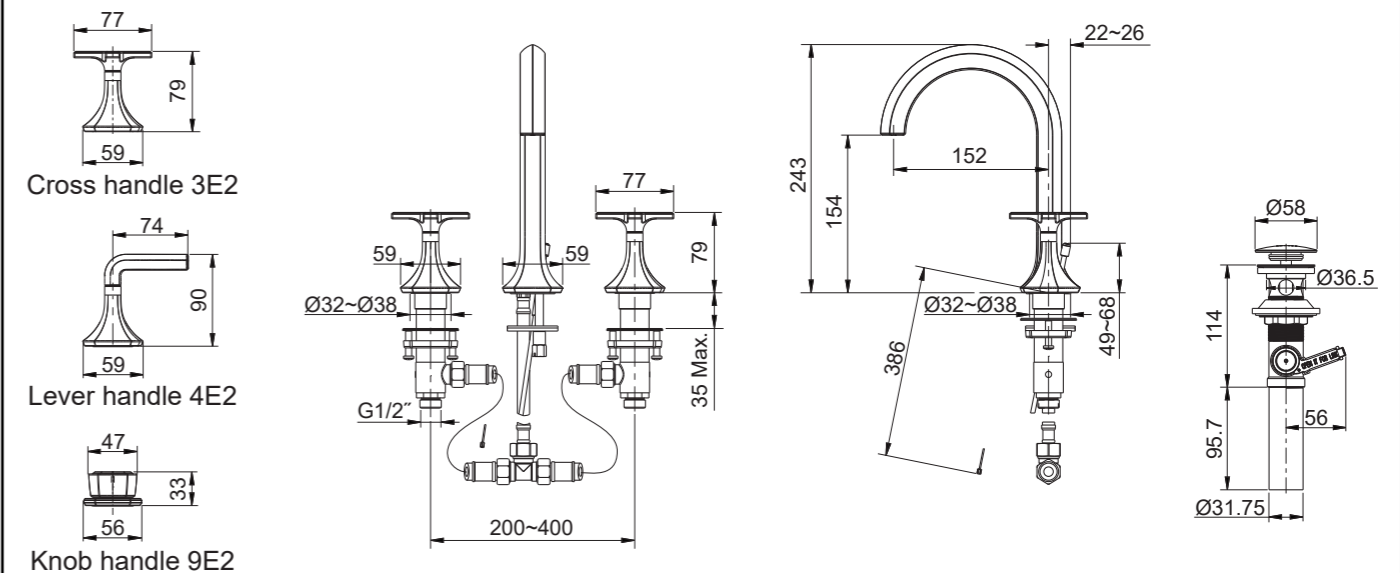
### HANDLE OPERATION

For lever handle, turn the left handle counter-clockwise for hot water, right handle clockwise for cold water.

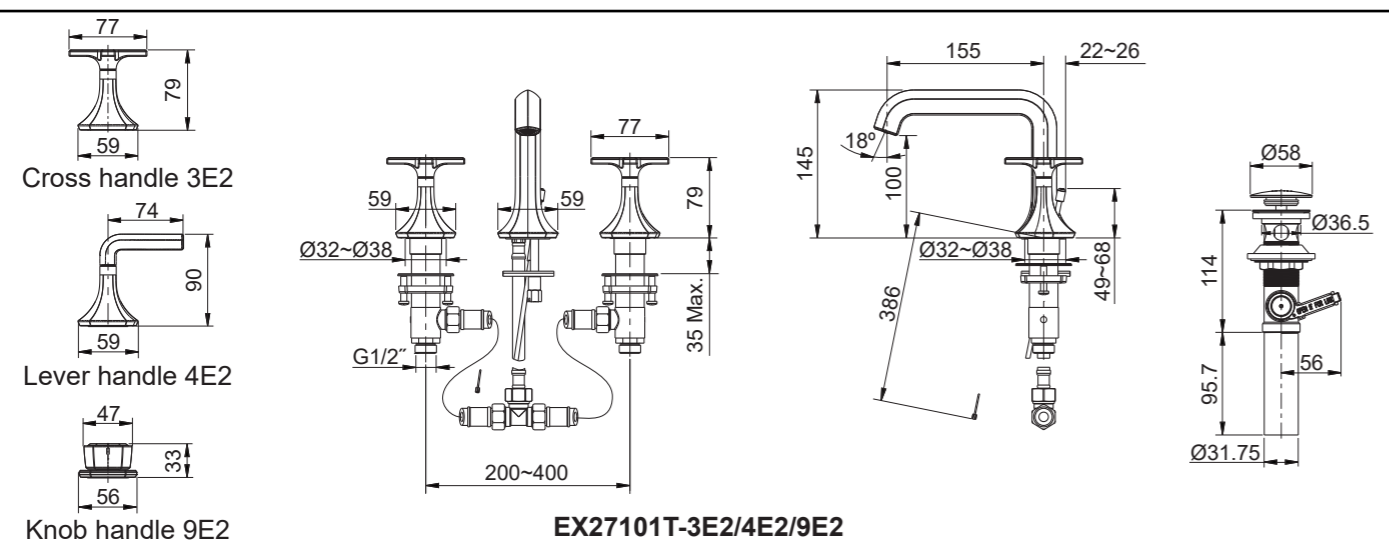
For cross/knob handle, turn the left handle clockwise for hot water, right handle counter-clockwise for cold water.

### 安装尺寸

### ROUGH-IN DIMENSIONS



EX27100T-3E2/4E2/9E2

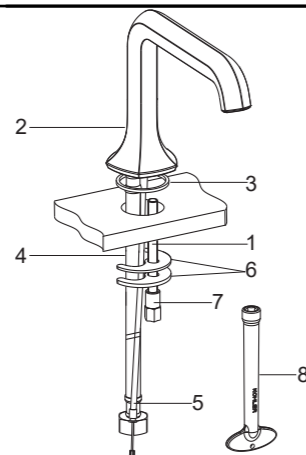


## 安装步骤

### 如何安装出水嘴

将固定螺杆(1)安装到出水嘴(2)底部, 将垫片(3)穿过软管(4)、固定螺杆和提拉线缆(5)末端嵌入到出水嘴底部槽中。将出水嘴组件插入脸盆中孔, 使出水嘴底部接触台面。

调整出水嘴位置, 使出水嘴朝向正前方。从脸盆下方把垫片(6), 橡胶垫片放在上面)套在固定螺杆上, 将螺母(7)旋到固定螺杆上, 用扳手(8)锁紧螺母以固定出水嘴组件。



## INSTALLATION

### How to Install the Spout

Install the mounting stud(1) into the spout(2) bottom. Slide the washer(3) over the hose(4), mounting stud and cable(5) until it is put into the groove of the spout bottom. Insert the spout assembly into the central hole of the lavatory until the spout bottom is against the deck.

Position the spout and keep it frontwards. From underside, fit the washers(6, rubber washer is on the top) onto the mounting stud. Screw the nut(7) onto the mounting stud. Tighten the nut with tool(8) to secure the spout.

### 如何安装阀体和把手

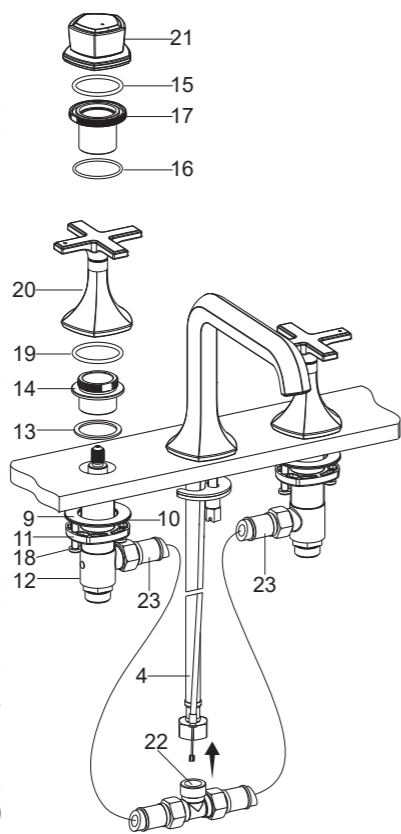
确保垫片(9)、钢垫(10)和安装环(11)依次装在阀体组件(12)上。从脸盆下方将阀体组件装入脸盆安装孔。**注意:** 面向龙头时, 有红色标记的阀体组件装在左侧, 与热水源连接。

对于十字型和杆型把手, 将橡胶垫片(13)装到螺母(14)底部凹槽中; 对于柱型把手, 将O型圈(15,16)分别装到螺母(17)顶部和底部凹槽中。从脸盆上方将螺母旋到阀体组件。

根据软管安装需要, 适当调整阀体出水口朝向。拧紧螺钉(18)以固定阀体组件。

对于十字型和杆型把手, 将O型圈(19)装入把手组件(20)底部凹槽中。确保阀芯处于关闭状态, 将把手组件(20或21)安装在螺母(14或17)上并旋紧。调整把手至图示方向。**注意:** 带有红色圆点的把手装在左侧。

将T型接头组件(22)接到软管(4)上, 用软管(23)将T型接头与两边的阀体组件(12)连接。



### How to Install the Valve Bodies and Handles

Make sure the washer(9), steel washer(10) and threaded ring(11) are on the valve body(12). From underside, install the valve body into the mounting hole. **NOTE:** The valve body with red mark should be installed on the left side and connected with hot water.

For cross/lever handle, put the rubber washer(13) into the bottom groove of the nut(14). For knob handle, put the O-rings(15, 16) into the top and bottom grooves of the nut(17). From upside, tighten the nut onto the valve body.

Adjust the outlet of valve body to connect hose easily. Secure the valve body by tightening the screws(18).

For cross/lever handle, put the O-ring(19) into the bottom groove of the handle kit(20). Tighten the handle kit(20 or 21) onto the nut(14 or 17) with the valve closed. Adjust the handle position as shown. **NOTE:** The handle kit with red mark should be installed on the left side.

Thread the tee connector(22) into the hose(4). Connect the tee connector to the valve body(12) with the hose(23).

### 如何安装排水器

将水塞(24)、法兰盘(25)及垫片(26)从排水本体(27)取下。把排水本体组件从脸盆下方插入排水孔中, 调整至合适的位置, 再将法兰盘(25)带垫片(26)旋到排水本体上。

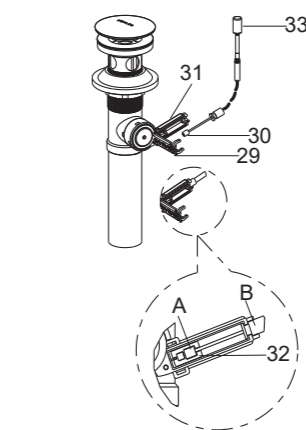
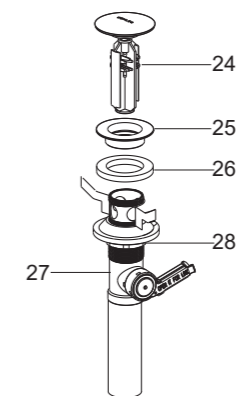
用扳手拧紧排水本体上的锁紧螺母(28)。把水塞(24)放入排水组件。

**注意:** 如果需要, 可直接在法兰盘(25)底面沿周围涂一圈密封油灰或其它密封剂, 而不使用垫片(26)。

打开排水本体上的盖板(29), 将提拉线缆末端(30)嵌入拉线盒(31)内部方孔(32)中。使其在拉线盒两端(A, B)卡到位, 如图所示。

然后用手扣紧盖板(29)。装好后请拉动提拉头(33), 确保其正常工作。

**注意:** 在锁紧螺母拧紧后, 如法兰盘使用密封油灰或其它密封剂, 则不可以调整排水本体位置, 否则会破坏油灰密封的密封性。同时去除多余油灰。



### How to Install the Drain

Remove the stopper(24), flange(25) and washer(26) from the drain body(27). Insert the drain body through the drain hole from underside, and adjust the position properly. Screw the flange(25) with washer(26) onto the drain body.

Tighten the locknut(28) on the drain body with wrench. Insert the stopper(24) into the drain assembly.

**NOTE:** If needed, apply a ring of plumbers putty or other sealants around the underside of the flange(25), instead of using washer(26).

Open the coverplate(29) on the drain body, and insert cable end(30) into the square hole(32) of the cable box(31). Make sure the cable is properly buckled at both ends(A, B) of the cable box as the figure shown.

Lock the coverplate(29), and verify the lift rod(33) on the faucet is linked correctly with the drain body through the cable.

**NOTE:** Do not reposition the drain if plumbers putty or other sealants applied after the locknut is tightened, or you may break the putty seal. Wipe away excess plumbers putty.

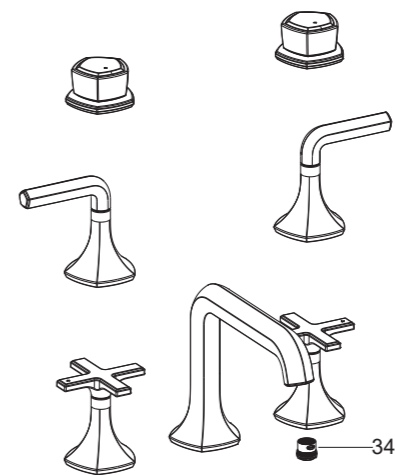
## 安装结果检查

检查并确保所有衔接螺母都已拧紧, 确保把手在关闭位置。

打开排水器和主要供水源, 检查是否有漏水。如有漏水, 修理之。

用硬币拆下起泡器(34)。打开水龙头冷热水, 让水流约一分钟以清除杂质, 检查渗漏。

冲洗起泡器, 关闭水龙头, 重新装回起泡器。



## INSTALLATION CHECKOUT

Ensure all connections are tight. Ensure the handles are in the off position.

Turn on the drain and main water supply, and check for leaks. Repair as needed.

Remove the aerator(34) with coin. Turn on the faucet. Run hot and cold water through the spout for about one minute to remove any debris. Check for leaks.

Remove any debris from the aerator. Shut off the faucet. Reinstall the aerator.

## 清洗说明

适用于所有加工处理过的表面: 以中性肥皂水清洗镀层表面, 再以干净的软布彻底擦干整个表面, 许多清洁剂, 比如氨水、去污粉及洁厕灵等, 会对电镀表面造成伤害, 切忌使用。

有磨损性的清洁用具或清洁剂也不可适用于科勒牌的水龙头及其配件上。

## CLEANING INSTRUCTIONS

All Finishes: Clean the finish with mild soap and warm water. Wipe entire surface completely dry with clean soft cloth. Many cleaners may contain chemicals, such as ammonia, chlorine, toilet cleaner etc. which could adversely affect the finish and are not recommended for cleaning.

Do not use abrasive cleaners or solvents on Kohler faucets and fittings.