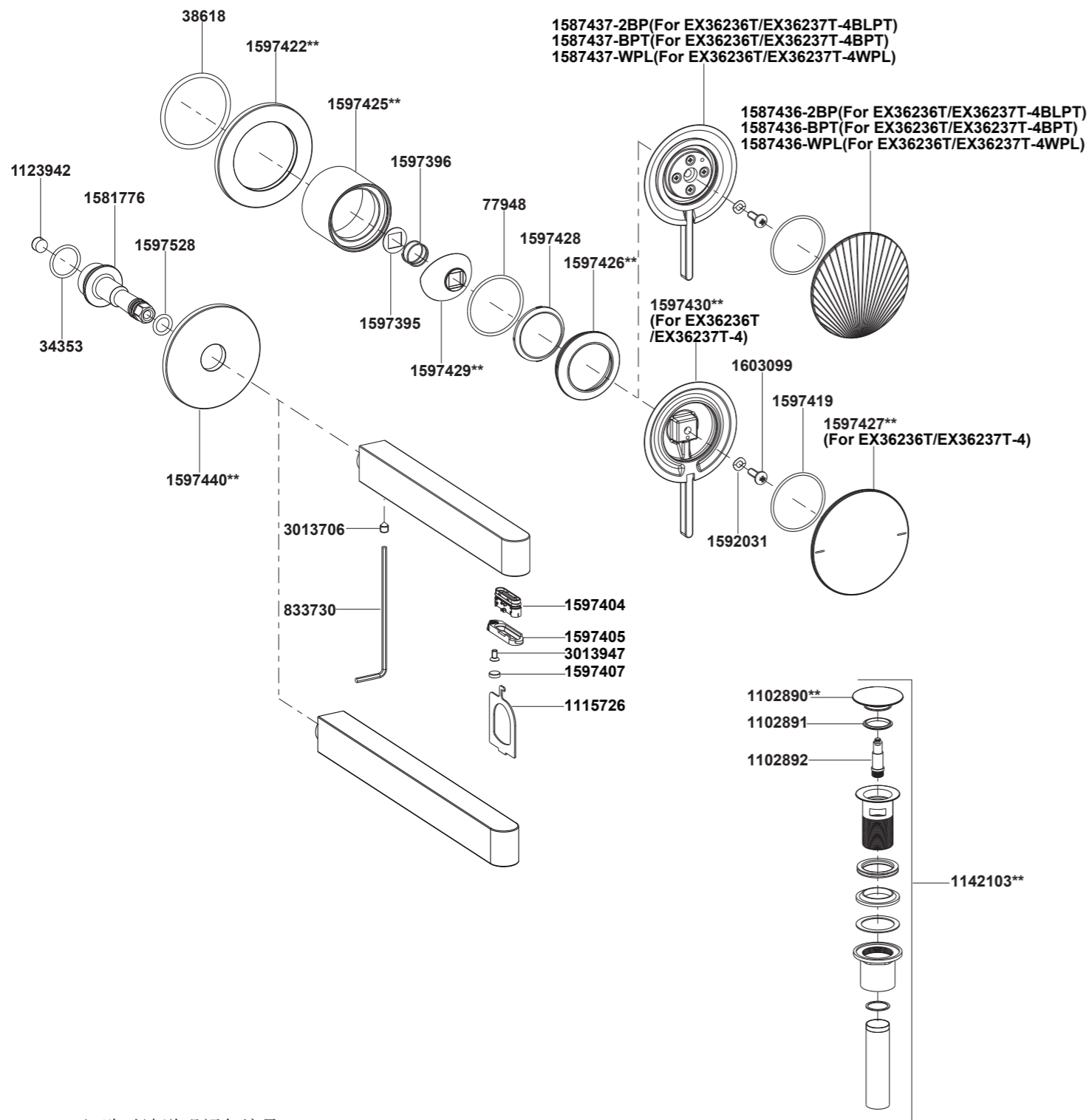


EX36236T-4/4BLPT/4BPT/4WPL 单把墙出水脸盆龙头 不含阀芯(出水嘴长166mm)  
 EX36237T-4/4BLPT/4BPT/4WPL 单把墙出水脸盆龙头 不含阀芯(出水嘴长211mm)



\*\*订购时请说明颜色编号  
 \*\*Color code must be specified when ordering

EX36236T-4/4BLPT/4BPT/4WPL 单把墙出水脸盆龙头 不含阀芯(出水嘴长166mm)  
 EX36237T-4/4BLPT/4BPT/4WPL 单把墙出水脸盆龙头 不含阀芯(出水嘴长211mm)

### 安装之前

所有的资料是按最新发布的产品资料编写而成。科勒公司保留任何时候不经通知即可改变产品特性、包装或产品可供类型的权利。

说明书包括重要的安装、保养及清洁方面的内容，请把这些资料交给用户阅读。

#### 注意事项：

- 1.一定要先彻底冲洗供水管以清除管道中的杂质。
- 2.检查供水管有无损坏和漏水。如需要，进行替换和维修。
- 3.遵守当地管路安装条例。
- 4.本产品需与单把墙出水脸盆龙头阀芯28028T-NA搭配使用。
- 5.确保安装此产品之前，单把墙出水脸盆龙头阀芯28028T-NA已安装完毕。
- 6.水嘴加施的水效标识表明本产品的水效等级等性能符合GB 25501-2019《水嘴水效限定值及水效等级》的要求，是产品符合性的一种标识。

### BEFORE YOU BEGIN

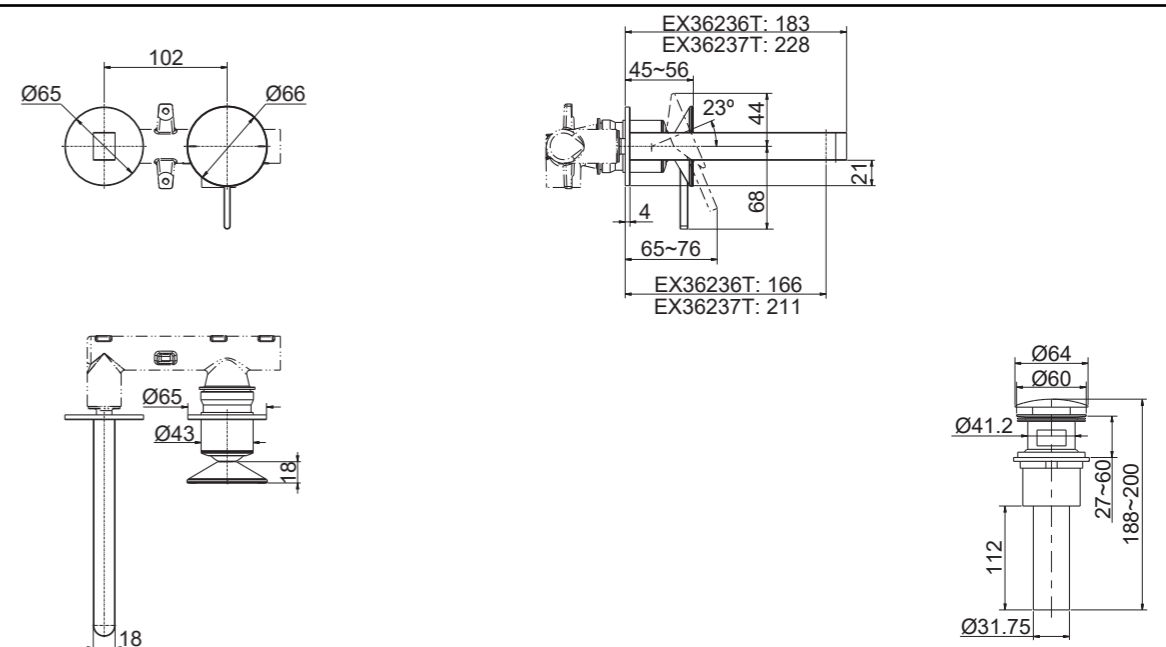
All information is based on the latest product information available at the time of publication. Kohler Co. reserves the right to make changes in product characteristics, packaging, or availability at any time without notice. Please leave these instructions for the consumer. They contain important information.

#### NOTES:

1. Flush the water supply pipes thoroughly to remove debris.
2. Inspect the supply tubing for damage and leakage. Replace and maintain as necessary.
3. Observe local plumbing codes.
4. This product should match with the wall mount lavatory faucet valve 28028T-NA.
5. Install the wall mount lavatory faucet valve 28028T-NA before installing this product.
6. The water efficiency label applied to the faucet indicates that the water efficiency grade and other performance of the product meet the requirements of GB 25501-2019 "Minimum Allowable Values of Water Efficiency and Water Efficiency Grades for Faucets" which is a marking of product conformity.

### 安装尺寸

### ROUGH-IN DIMENSIONS

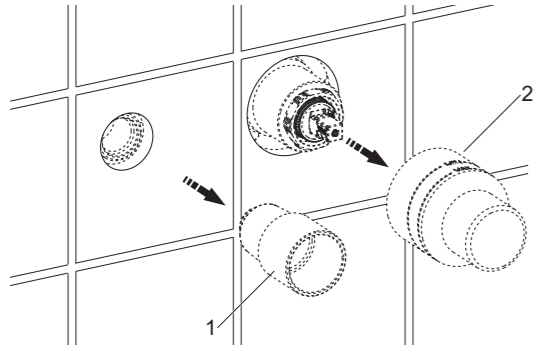


## 安装步骤

### 如何安装出水口

墙壁装修好后，去掉阀芯28028T-NA上的保护套(1, 2)。

用扳手将接头(3)旋紧到阀体上，**注意**：不要过份拧紧。用2.5mm六角扳手(4)旋松出水口(5)的底部螺钉(6)。在装饰盖(7)底部涂一圈油灰，将装饰盖安装到出水口上。将出水口出口朝下安装到接头(3)上，使其紧贴墙面。用六角扳手锁紧螺钉到出水口底部，固定出水口。去除多余的油灰。**注意**：不要划伤接头上的O型圈(8)。

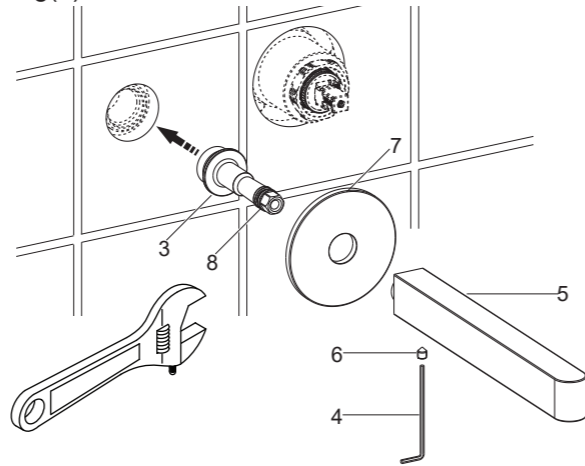


## INSTALLATION

### How to Install the Spout

Remove the protectors(1, 2) from the valve 28028T-NA after the wall is finished.

Screw the connector(3) into the valve body with the wrench. **NOTE**: Do not overtighten. Loosen the screw (6) in the spout(5) bottom with 2.5mm hex wrench(4). Apply plumbers putty at the backside of the escutcheon (7). Install the escutcheon into the spout. Install the spout onto the connector(3) with its outlet downwards until it is against the finished wall. Tighten the screw with hex wrench to secure the spout. Wipe away any excess plumbers putty. **NOTE**: Don't damage the O-ring(8) on the connector.

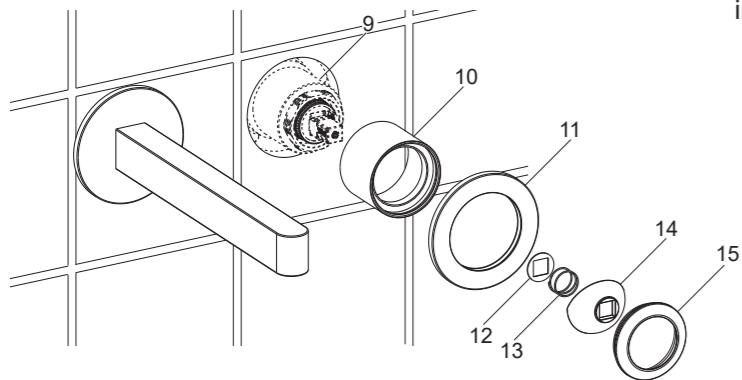


### 如何安装把手

确保阀芯(9)处于关闭状态。将套筒(10)安装到阀芯上。在装饰盖(11)底部涂一圈油灰，将装饰盖套在套筒上直至与墙面接触，去除多余的油灰。依次将垫片(12)、弹簧(13)和阀帽(14，斜口朝上)安装到阀柄上。将盖子(15)的O型圈涂上润滑油并将其扣到套筒上。

将垫片(16)套在螺钉(17)上，通过锁紧螺钉将把手(18)手柄朝下地安装到阀芯(9)上。将把手盖的O型圈涂上润滑油并将其(19)扣到把手上。

阀芯处于关闭位置时，出水口和把手安装完毕状态如安装结果检查图所示。

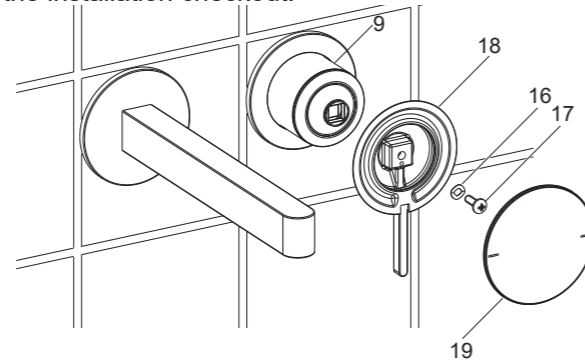


### How to Install the Handle

Ensure that the valve(9) is closed. Install the sleeve (10) onto the valve. Apply plumbers putty at the backside of the escutcheon(11). Slide the escutcheon onto the sleeve until it is against the finished wall. Wipe away any excess plumbers putty. Install the washer (12), spring(13) and bonnet(14, oblique upwards) onto the valve stem. Apply the lubricant at the O-ring of the cover(15). Press the cover onto the sleeve.

Slide the washer(16) onto the screw(17). Tighten the screw to secure the handle(18) onto the valve(9). Apply the lubricant at the O-ring of the cap(19). Press the cap onto the handle.

When the installation is completed, the correct position of the spout and handle with the valve closed is shown in the installation checkout.



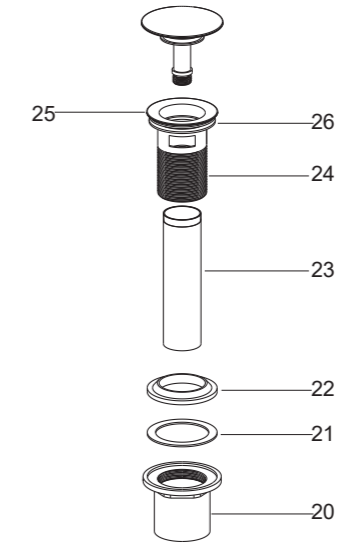
## 如何安装排水器

把锁紧螺母(20)、塑料垫片(21)、橡胶垫圈(22)和尾管(23)从排水本体(24)依次取下。在尾管螺纹处须缠绕足以密封的密封胶带或涂合适的密封胶，并装回排水本体。

把排水本体从脸盆上部孔插入。再依次将橡胶垫圈(小面朝上)、塑料垫片和锁紧螺母从脸盆下方装回到排水本体上。锁紧螺母。

**注意**：如果需要，可直接在法兰盘(25)底面沿周围涂一圈密封胶灰或其它密封剂，而不使用橡胶垫片(26)。

在锁紧螺母拧紧后，不可调整排水本体位置，否则会破坏油灰或密封剂密封。

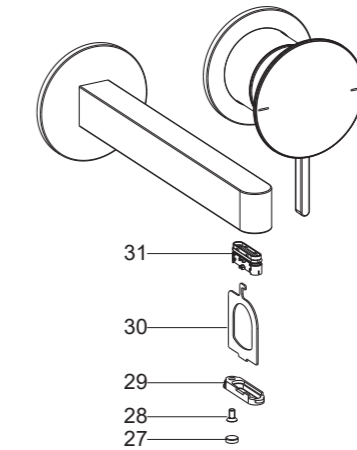


## 安装结果检查

检查并确保所有衔接螺母都已拧紧，确保把手在关闭位置。

打开排水器和主要供水源，检查是否有漏水。如有漏水，修理之。

取出塞扣(27)、螺钉(28)和起泡器罩(29)，用工具(30)拆下起泡器(31)。打开水龙头冷热水，让水流出约一分钟以清除杂质，检查渗漏。冲洗起泡器，关闭水龙头，重新装回起泡器、起泡器罩、螺钉和塞扣。



## 使用说明

将把手轻轻提起，顺时针旋转为热水，逆时针旋转为冷水。

## 清洗说明

适用于所有加工处理过的表面：以中性肥皂水清洗镀层表面，再以干净的软布彻底擦干整个表面，许多清洁剂，比如氨水、去污粉及洁厕灵等，会对电镀表面造成伤害，切忌使用。

有磨损性的清洁用具或清洁剂也不可适用于科勒牌的水龙头及其配件上。

## How to Install the Drain

Remove the locknut(20), plastic washer (21), rubber gasket(22) and tailpiece(23) from the drain body(24). Supply enough tape or sealant to tailpiece thread. Reinstall the tailpiece.

Insert the drain body into the lavatory. Install the rubber gasket(Tapered side up), plastic washer and locknut back to the drain body in turn. Tighten the locknut.

**NOTE**: If needed, apply a ring of plumbers putty or other sealants around the underside of the drain flange(25), instead of using rubber washer(26).

Do not reposition the drain after the locknut is tightened, or you may break the putty or sealant seal.

## INSTALLATION CHECKOUT

Ensure all connections are tighten. Ensure the handle is in the off position.

Turn on the drain and main water supply, and check for leaks. Repair as needed.

Remove the plug(27), screw(28) and aerator plate(29). Uninstall the aerator (31) with tool(30). Turn on the faucet. Run hot and cold water through the spout for about one minute to remove any debris. Check for leaks. Remove any debris from the aerator. Shut off the faucet. Reinstall the aerator, aerator plate, screw and plug.

## HANDLE OPERATION

Lift the handle gently. Turn clockwise for hot water, turn counter-clockwise for cold water.

## CLEANING INSTRUCTIONS

All Finishes: Clean the finish with mild soap and warm water. Wipe entire surface completely dry with clean soft cloth. Many cleaners may contain chemicals, such as ammonia, chlorine, toilet cleaner etc. which could adversely affect the finish and are not recommended for cleaning.

Do not use abrasive cleaners or solvents on Kohler faucets and fittings.