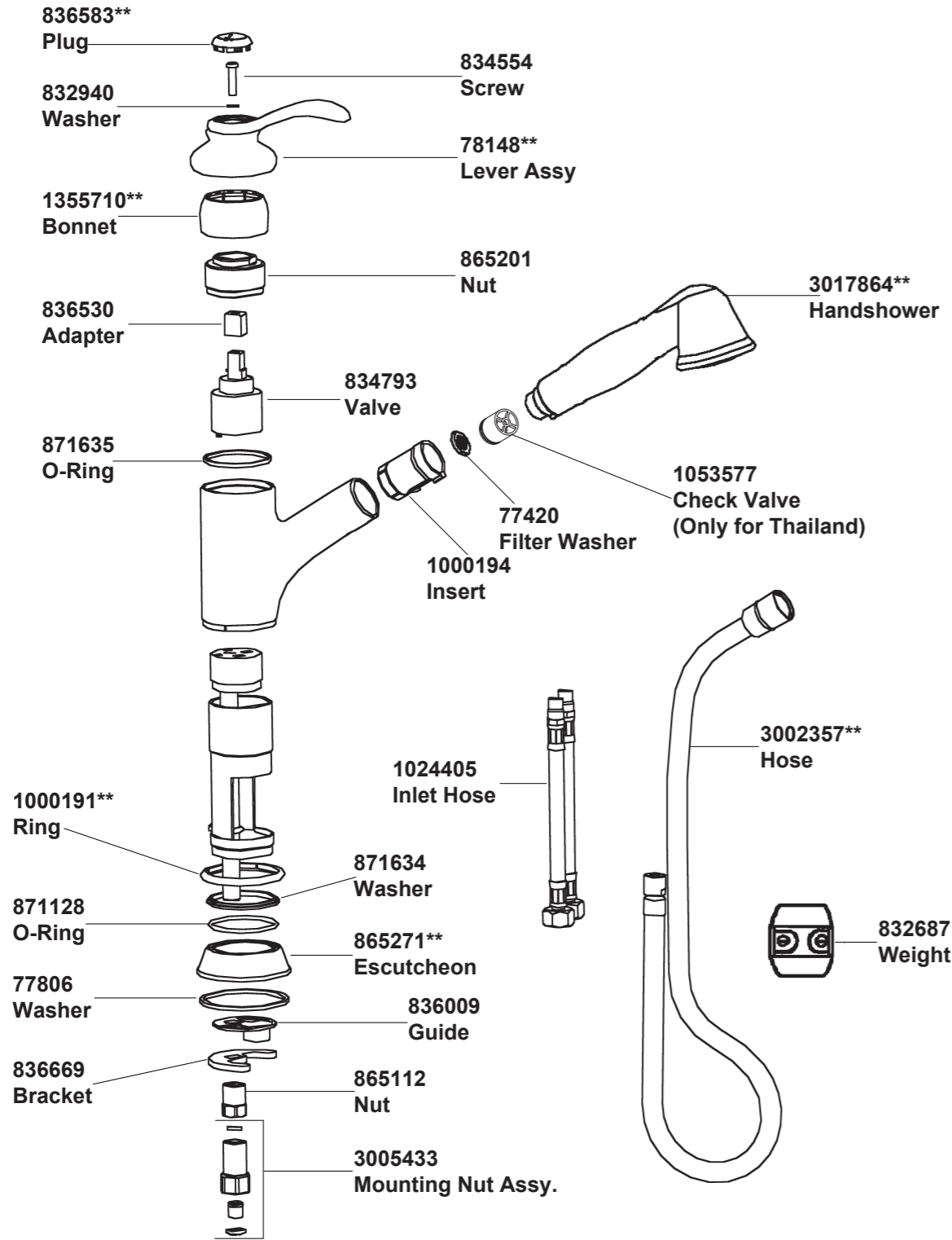


12177 SINGLE HOLE KITCHEN FAUCET



**Color code must be specified when ordering

12177 SINGLE HOLE KITCHEN FAUCET

BEFORE YOU BEGIN

All information is based on the latest product information available at the time of publication. Kohler Co. reserves the right to make changes in product characteristics, packaging, or availability at any time without notice.

Please leave these instructions for the consumer. They contain important information.

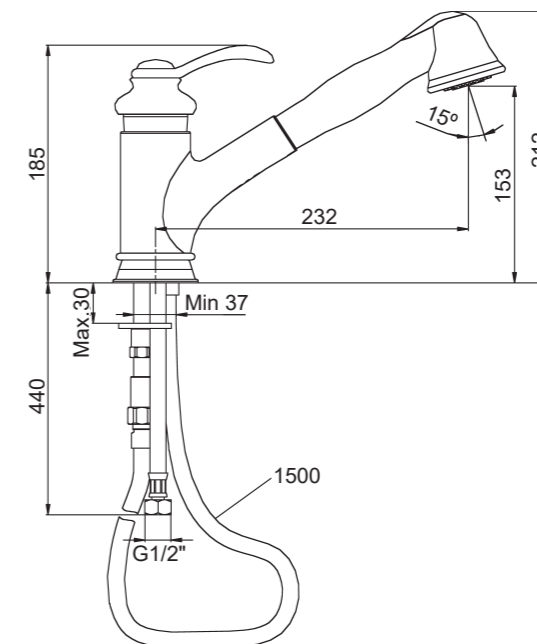
NOTE:

1. Flush the water supply pipes thoroughly to remove debris.
2. For new installations, assemble the faucet and drain to sink before installing.
3. The highest working pressure for handspray & shower head is 0.5MPa(5bar). If it exceeds 0.5MPa(5bar), a pressure reducer is needed. The highest water and environment temperature is 60°C. Please keep handspray, shower head and the shower arm away from heater, or it may become damaged and cause injury to the user.

HANDLE OPERATION

Lift the handle gently. Turn clockwise for hot water, turn counter-clockwise for cold water.

ROUGH-IN DIMENSIONS



INSTALLATION

How To Install The Faucet

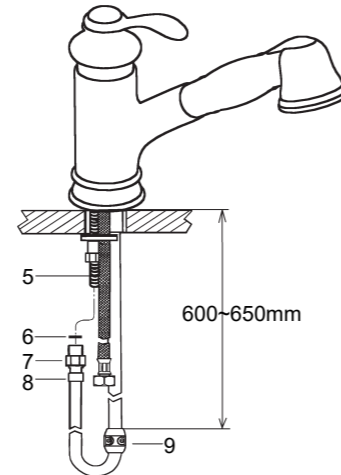
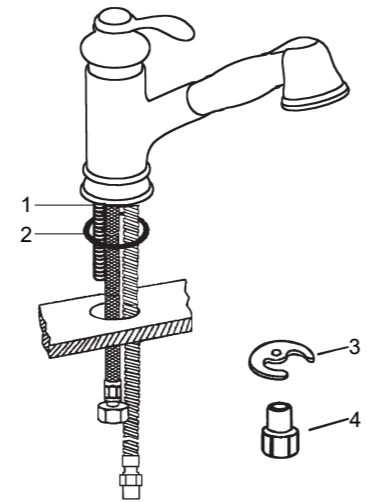
Slide the washer(2) into the groove of the body. Put the hoses into the mounting hole of the sink. Let the bottom of the body against the deck.

From underside of the sink, place the bracket(3) and nut(4) onto the mounting stud(1). Position the faucet so that mounting stud is toward the back and the two hoses are symmetrical. Tighten the nut to secure faucet to sink.

Attach the hoses to water supplies. When facing the front of the faucet, the left hose is hot water, the right is cold water.

Put the fiber washer(6) into the connector(7) and thread it to the shank (5). Lock the hose connector(8). Do not over tighten it.

Put the lead weight(9) onto the hose. Adjust lead weight. The distance from the faucet base to the lead weight will be 600~650mm. Tighten the screws to fix up the lead weight.

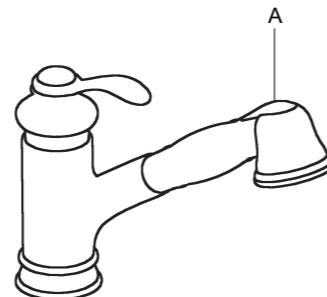


How To Use Hand Spray

If you want to use the hand spray by hand, take the hand spray and pull out the hose.

Press the button A as shown for the water flow.

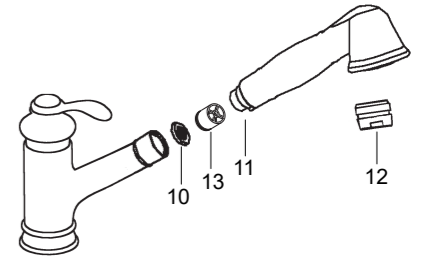
NOTE: Please pull it gently and do not draw out the spray hose too long, or you may damage the hose, connector and loosen the lead weight.



INSTALLATION CHECKOUT

Ensure that all coupling nuts are tight. Ensure that the lever handle is in the off position. Turn on the main water supply and drain, and check for leaks. Repair as needed.

Remove the hand spray(11), filter washer(10), check valve(13, only for Thailand) and aerator(12). Run hot and cold water about one minute to remove any debris. Remove any debris from the filter washer, check valve and the aerator. Shut off the faucet. Reinstall the filter washer, check valve, aerator and hand spray.



CLEANING INSTRUCTIONS

All Finishes: Clean the finish with mild soap and warm water. Wipe entire surface completely dry with clean soft cloth. Many cleaners may contain chemicals, such as ammonia, chlorine, toilet cleaner etc, which could adversely affect the finish and are not recommended for cleaning.

Do not use abrasive cleaners or solvents on Kohler faucets and fittings.