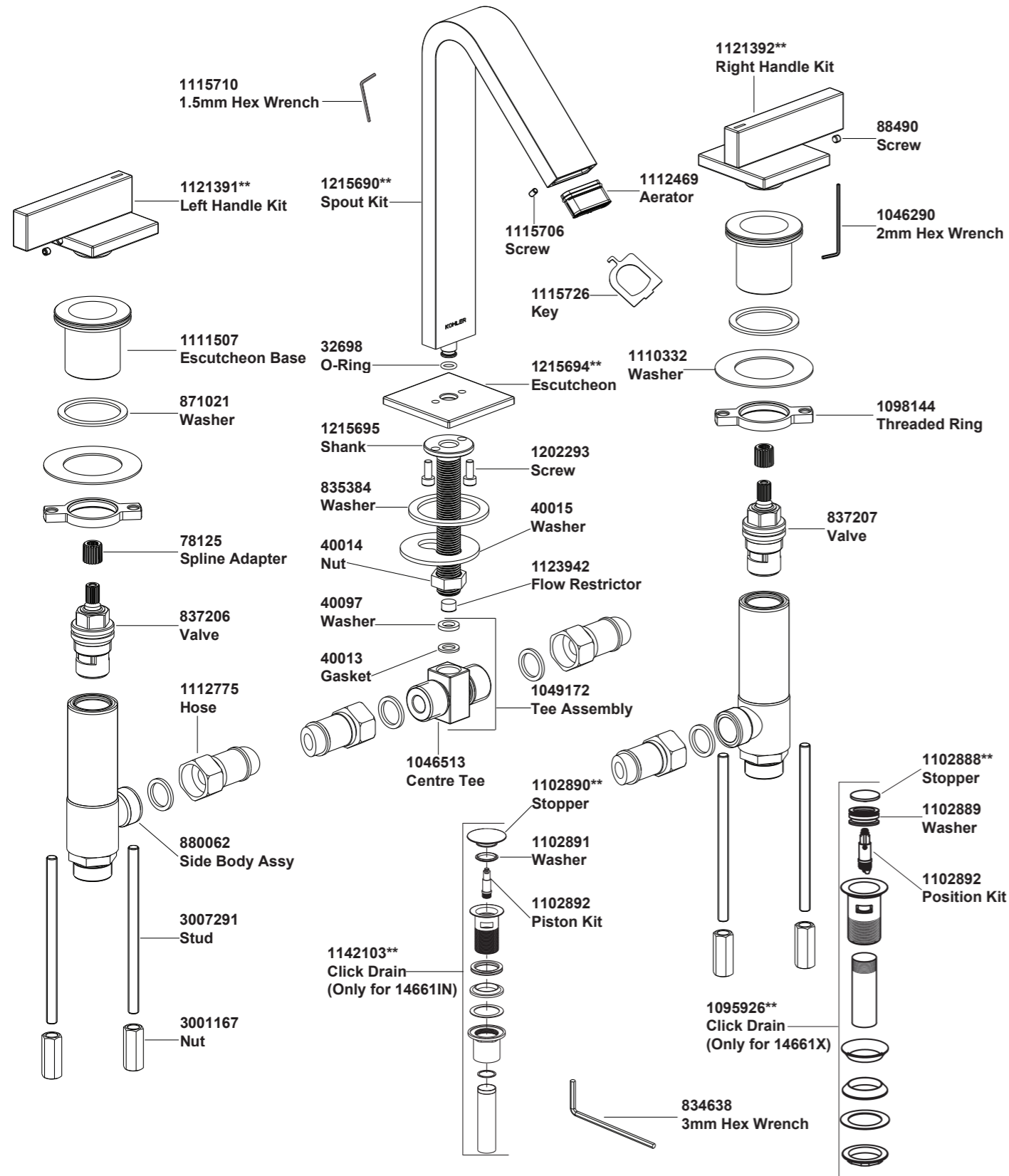


### 14661-4 8" WIDESPREAD LAV FAUCET



\*\*Color code must be specified when ordering

### 14661-4 8" WIDESPREAD LAV FAUCET

#### BEFORE YOU BEGIN

All information is based on the latest product information available at the time of publication. Kohler Co. reserves the right to make changes in product characteristics, packaging, or availability at any time without notice.

Please leave these instructions for the consumer. They contain important information.

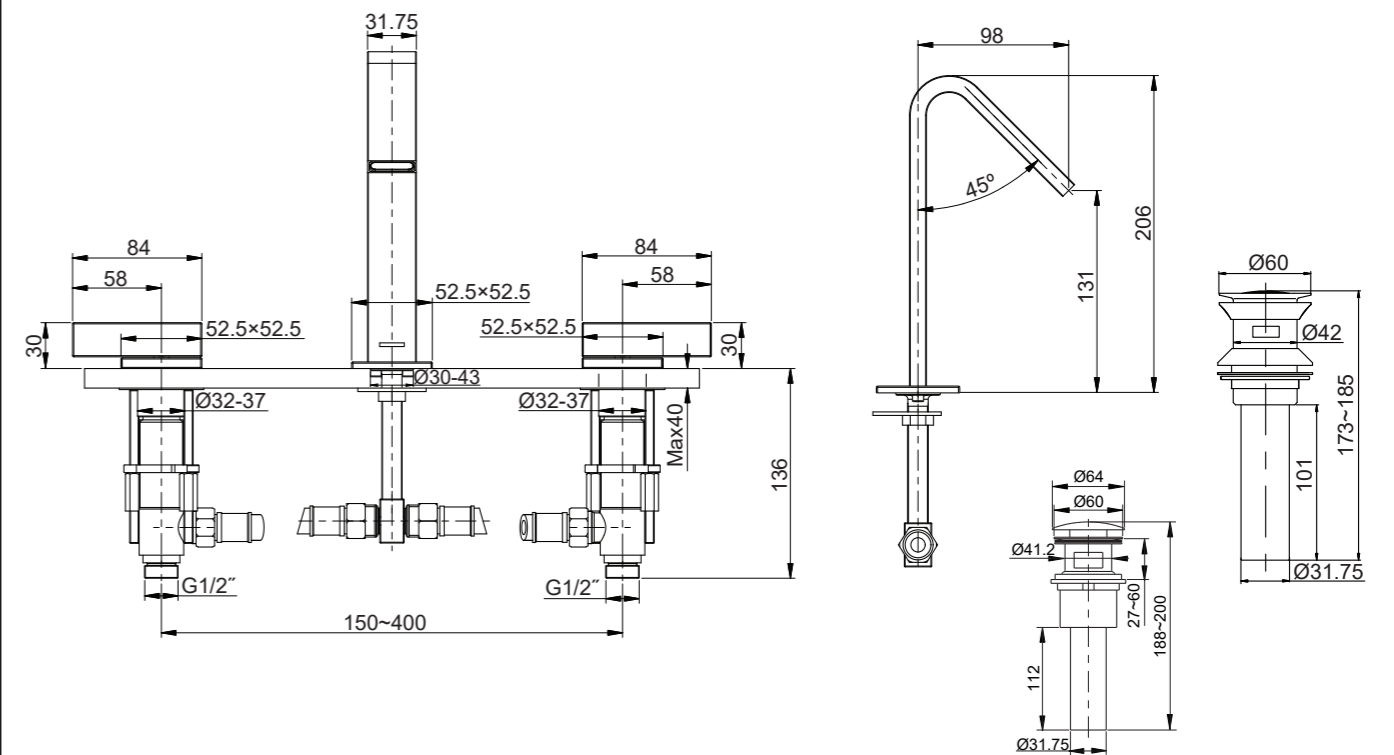
#### NOTES:

1. Flush the water supply pipes thoroughly to remove debris.
2. Inspect the supply tubing for damage. Replace as necessary.
3. If possible, install this faucet before installing the lavatory.
4. **The highest working pressure for faucet is 0.4Mpa(4 bars). If it exceeds 0.4Mpa(4 bars), a pressure reducer is needed. Or maybe damage the faucet.**

#### HANDLE OPERATION

Left handle opens with turning counter-clockwise. Right handle opens with turning clockwise.

#### ROUGH-IN DIMENSIONS



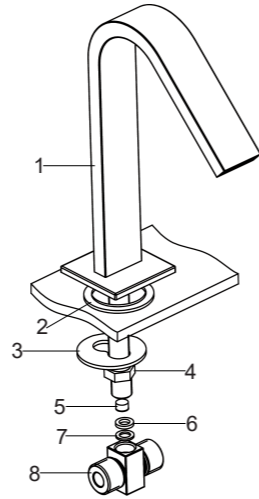
## INSTALLATION

### How to Install the Spout

Remove the center tee(8), nut(4) and steel washer(3) from the spout kit(1).

**NOTE:** Don't take out the flow restrictor(5) in the spout kit and clear it regularly. Leave the rubber washer(6) and plastic gasket(7) in the center tee.

Put the rubber washer(2, external diameter 45mm) into the bottom groove of the spout kit escutcheon. Then fit the spout kit into the center hole of lavatory. From underside of the lavatory, install the steel washer(3) and nut(4). Position the spout. Secure the spout kit by tightening nut. Reinstall the center tee.

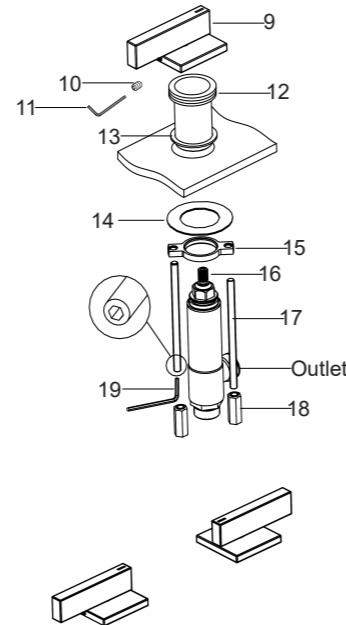


### How to Install the Side Bodies and Handles

Remove the escutcheon bases(12), the rubber washers(13), the steel washers(14) and the threaded rings(15) from side bodies(16). Install the steel washers(14) and the threaded rings(15) onto the side bodies. Keep the wrench holes of the studs(17) facing downwards, thread them onto the threaded ring. Put the rubber washers(13) into the bottom groove of the escutcheon bases. Fit the escutcheon bases into the mounting holes of the lavatory. From the underside of the lavatory, install the side bodies onto the escutcheon bases(**NOTE:** the side bodies with red mark should be installed on the left side). Adjust the outlets of side bodies to connect hoses easily. Secure the side bodies by tightening studs with 3mm hex wrench(19). Tighten the nuts(18) onto the studs.

Place the handle kits(9) onto the escutcheon bases with the valves closed. (**NOTE:** The handle kit with red mark should be installed on the left side). Secure handle kits by tightening the screws(10) with 2mm hex wrench(11).

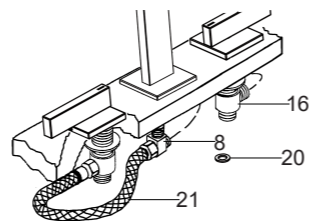
The illustration shown is the correct position of the handles in the off position.



### How to Connect Hoses

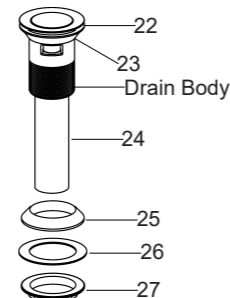
Connect the outlets of the side bodies(16) and the center tee(8) by the hoses(21) with the washers(20).

**NOTE:** The hoses(21) should only be used here.



### How to Install the Drain Only For 14661X-4

Remove the locknut(27), plastic washer(26), rubber gasket(25) and tailpiece(24) from the drain body. Supply enough tape or sealant to tailpiece thread. Reinstall the tailpiece. Insert the drain body into the lavatory. Put the rubber gasket(Tapered side up), plastic washer and locknut back to the drain body in turn. Tighten the locknut.



**NOTE:** If needed, apply a ring of plumbers putty or other sealants around the underside of the drain flange(22), instead of using rubber washer(23).

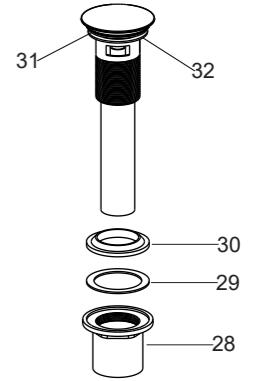
Do not reposition the drain after the locknut is tightened, or you may break the putty or sealant seal.

### Only For 14661IN-4

Remove the locknut(28), plastic washer(29) and the rubber gasket(30) from the drain body. Insert the drain body into the lavatory. Install the rubber gasket (Tapered side up), plastic washer and locknut back to the drain body in turn. Tighten the locknut.

**NOTE:** If needed, apply a ring of plumbers putty or other sealants around the underside of the drain flange(31), instead of using rubber washer(32).

Do not reposition the drain after the locknut is tightened, or you may break the putty or sealant seal.

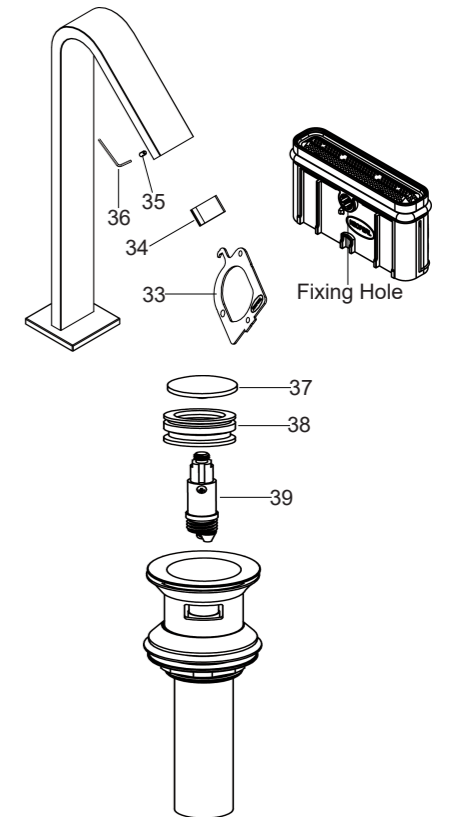


## INSTALLATION CHECKOUT

Ensure that all connections are tightened and the handles are in the off position.

Open the drain. Turn on main water supply and check for leaks. Repair as required.

Loosen screw(35) with 1.5mm hex wrench(36). Remove the aerator(34) carefully with key(33). Turn on the faucet. Run the water through the spout for about one minute to remove any debris. Remove any debris from the aerator. Shut off the faucet. Keep the fixing hole facing downwards, reinstall the aerator.



### Replacing the Washer and Piston Kit

Turn counter-clockwise to remove the stopper(37). Take out washer(38). Replace with a new one. Turn counter-clockwise to remove the piston kit(39). Replace with a new one. Reinstall stopper and washer.

## CLEANING INSTRUCTIONS

All Finishes: Clean the finish with mild soap and warm water. Wipe entire surface completely dry with clean soft cloth. Many cleaners may contain chemicals, such as ammonia, chlorine, toilet cleaner etc. which could adversely affect the finish and are not recommended for cleaning.

Do not use abrasive cleaners or solvents on Kohler faucets and fittings.