

16230-4 SINGLE LEVER LAVATORY FAUCET
 16231-4/4ND SINGLE LEVER TALL LAVATORY FAUCET

BEFORE YOU BEGIN

All information is based on the latest product information available at the time of publication. Kohler Co. reserves the right to make changes in product characteristics, packaging, or availability at any time without notice.

Please leave these instructions for the consumer. They contain important information.

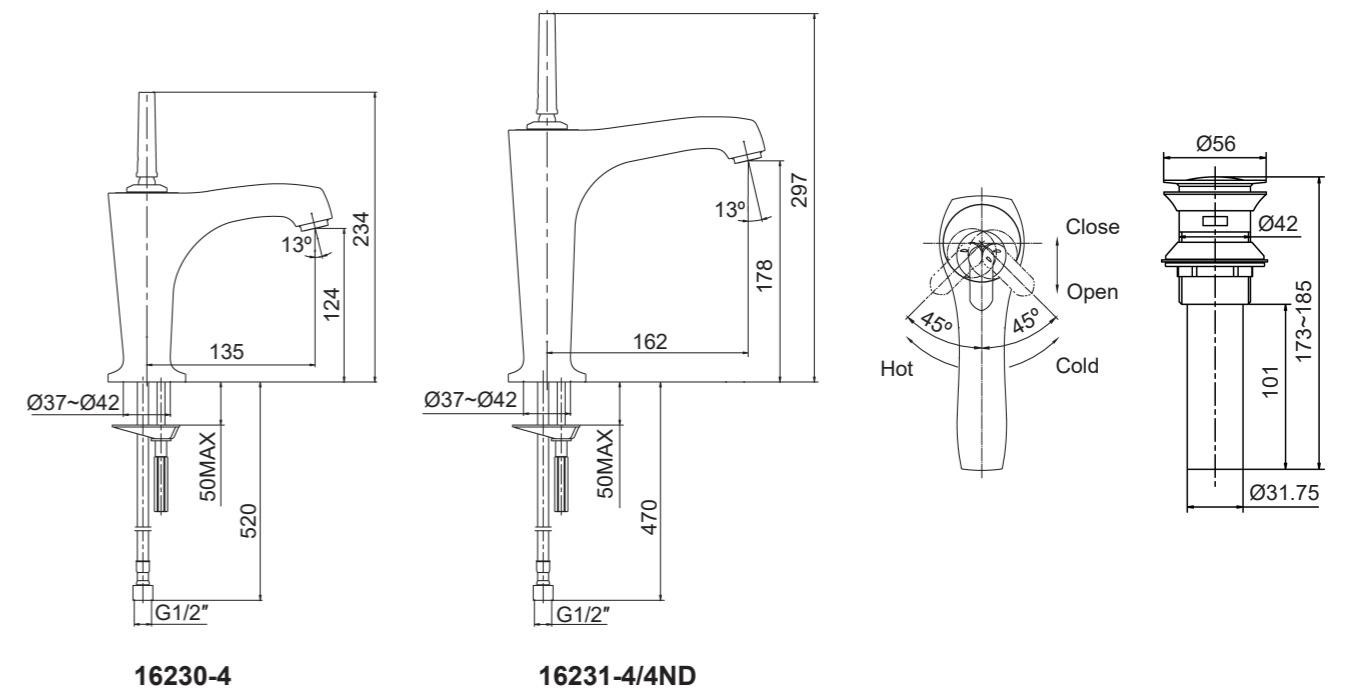
NOTES:

1. Flush the water supply pipes thoroughly to remove debris.
2. Inspect the supply tubing for damage. Replace as necessary.
3. Observe local plumbing codes.
4. If possible, install this faucet before installing the lavatory.

HANDLE OPERATION

Operation for open and close, hot and cold water as shown below.

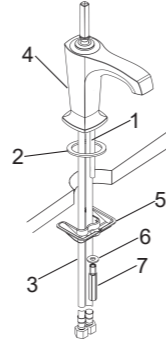
ROUGH-IN DIMENSIONS



INSTALLATION

How To Install The Faucet

Screw the stud(1) to the thread hole on the bottom of faucet. Put the washer(2) into the bottom of body(4) through the flexible hoses(3) and the stud. Insert hoses(3) and stud into the hole of lavatory. Position the faucet. From underside of the lavatory, fit the bracket(5) and washer(6) on the stud. Secure the faucet by tightening nut(7).



Attach the hoses to water supplies.

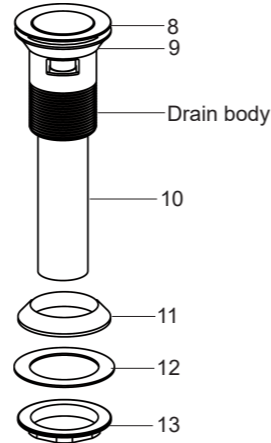
Note: The hose with red mark is connected to hot water.

How To Install The Drain(Not For 16231-4ND)

Remove the locknut(13), plastic washer(12), rubber gasket(11) and tailpiece(10) from the drain body. Supply enough tape or sealant to tailpiece thread. Reinstall the tailpiece. Insert the drain body into the lavatory. Put the rubber gasket (tapered side up), plastic washer and locknut back to the drain body in turn. Tighten the locknut.

NOTE: If needed, apply a ring of plumbers putty or other sealants around the underside of the drain flange(8), instead of using rubber washer(9).

Do not reposition the drain after the locknut is tightened, or you may break the putty or sealant seal.



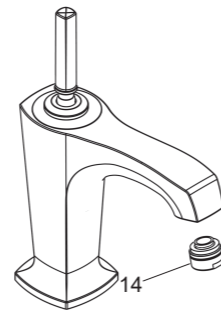
INSTALLATION CHECKOUT

Ensure all coupling nuts are tightened.

Ensure that handle is in the off position.

Turn on the drain and main water supply. Check for leaks. Repair as needed.

Remove aerator assembly(14). Turn on the faucet handle. Run hot and cold water through spout for about one minute to remove any debris. Check for leaks at this time. Remove any debris from aerator assembly. Shut the faucet off and reinstall aerator assembly.



CLEANING INSTRUCTIONS

All Finishes: Clean the finish with mild soap and warm water. Wipe entire surface completely dry with clean soft cloth. Many cleaners may contain chemicals, such as ammonia, chlorine, toilet cleaner etc. which could adversely affect the finish and are not recommended for cleaning.

Do not use abrasive cleaners or solvents on Kohler faucets and fittings.

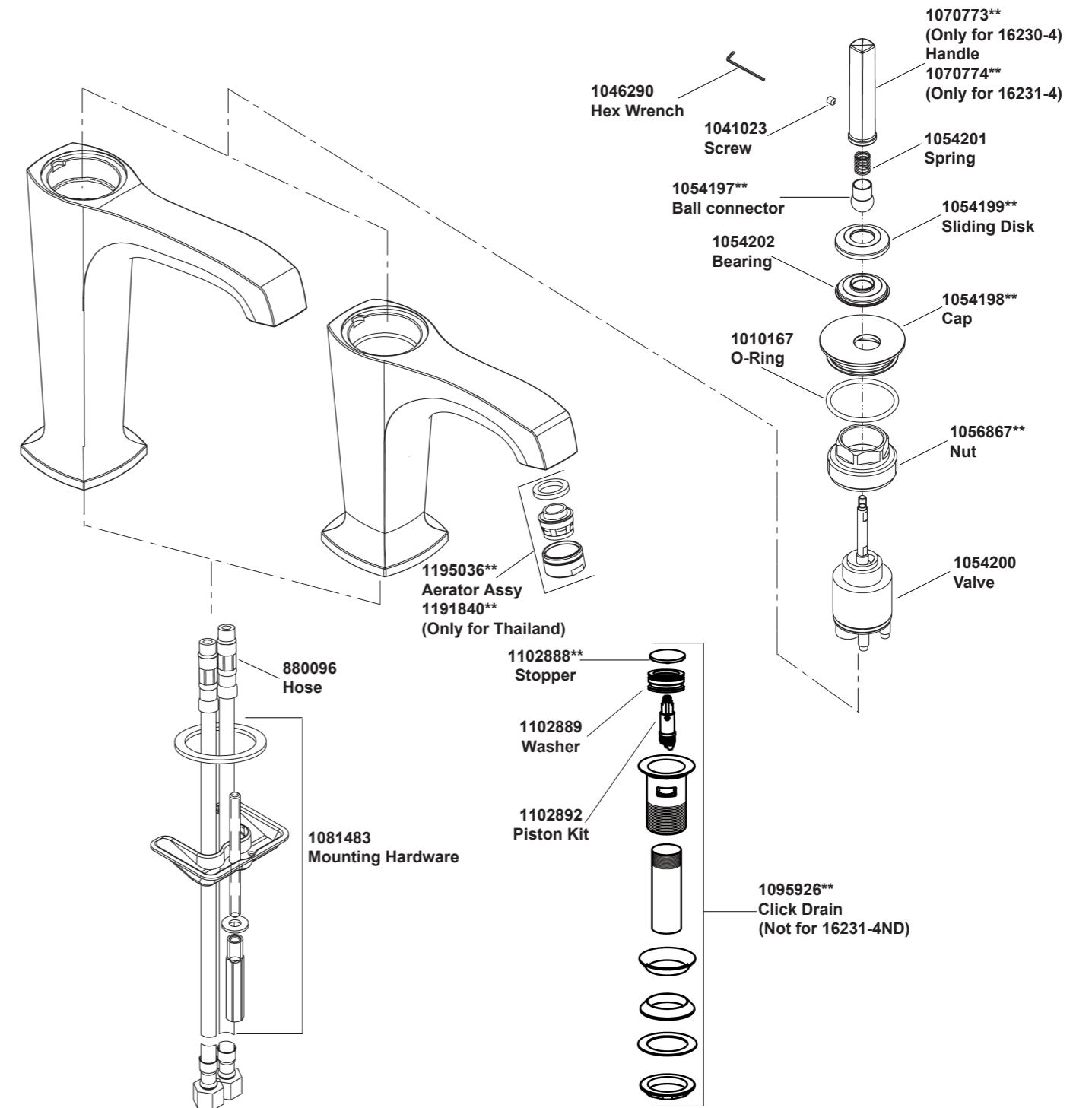
KOHLER®
SERVICE PARTS

MARGAUX

Single Lever Lavatory Faucet

16230-4
16231-4/4ND

SINGLE LEVER LAVATORY FAUCET
SINGLE LEVER TALL LAVATORY FAUCET



**Color code must be specified when ordering