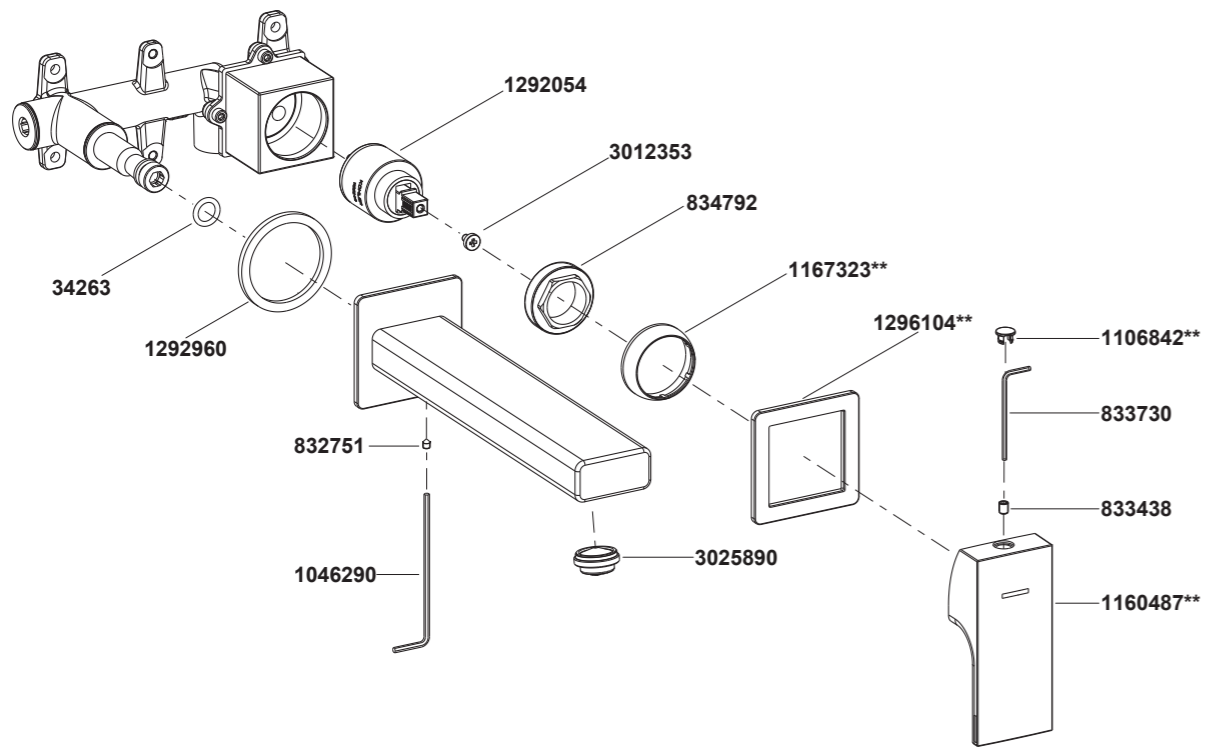


21090T-4E Single Lever Wall Mount Bath Mixer



**Color code must be specified when ordering.

21090T-4E Single Lever Wall Mount Bath Mixer

BEFORE YOU BEGIN

All information is based on the latest product information available at the time of publication. Kohler Co. reserves the right to make changes in product characteristics, packaging, or availability at any time without notice.

Please leave these instructions for the consumer. They contain important information.

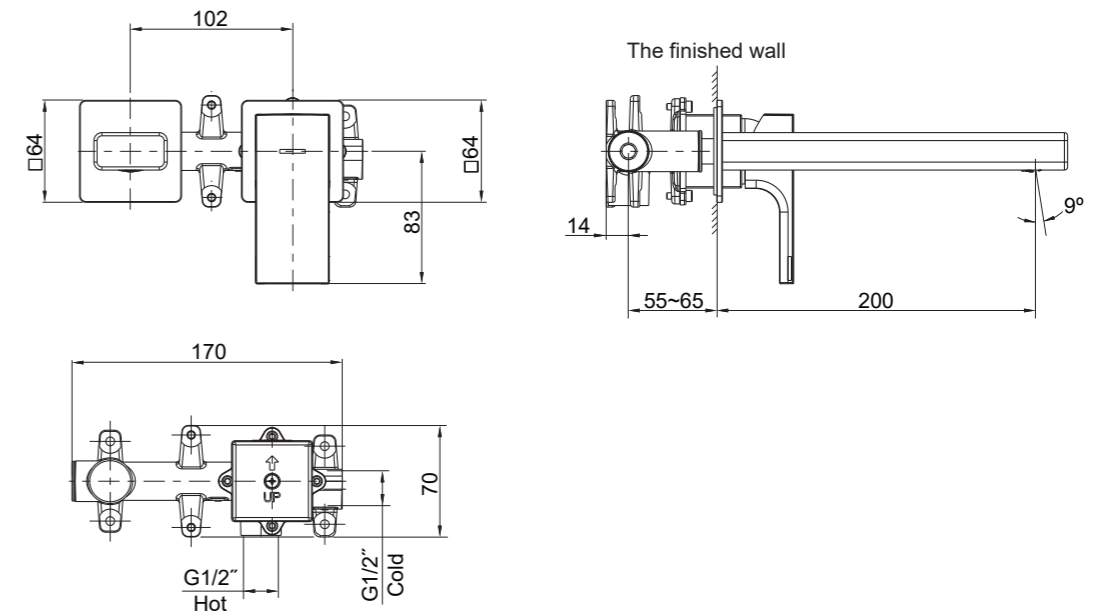
NOTES:

1. Flush the water supply pipes thoroughly to remove debris.
2. An inline water filter must be used with this product.
3. Inspect the supply tubing for damage. Replace as necessary.
4. Observe local plumbing codes.
5. Check for leaks before covering the pipes, repairs as needed.
6. Please ensure only apply water pressure test on the product, and empty the air in pipe and faucet thoroughly before the test. Please ensure test pressure below 0.8MPa and test duration within 30 minutes.
7. All installations should comply with the relevant requirements of AS/NZS 3500.

HANDLE OPERATION

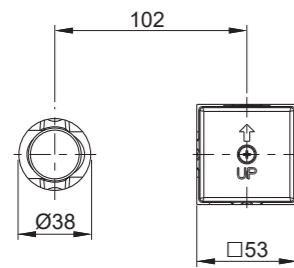
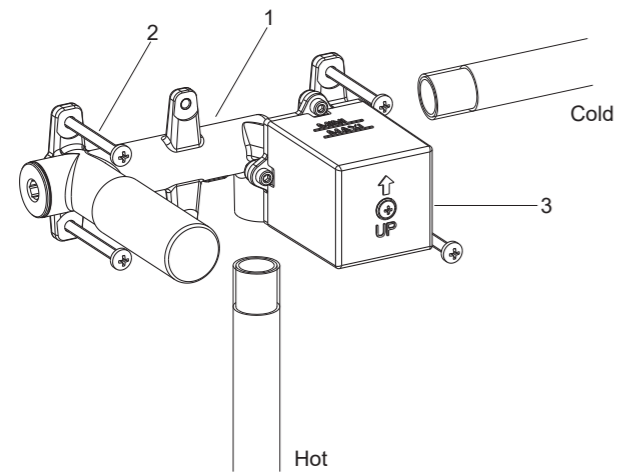
Lift the handle gently, turn clockwise for hot water, counter-clockwise for cold water.

ROUGH-IN DIMENSIONS



21090T-4E

INSTALLATION



①

How to Install the Body

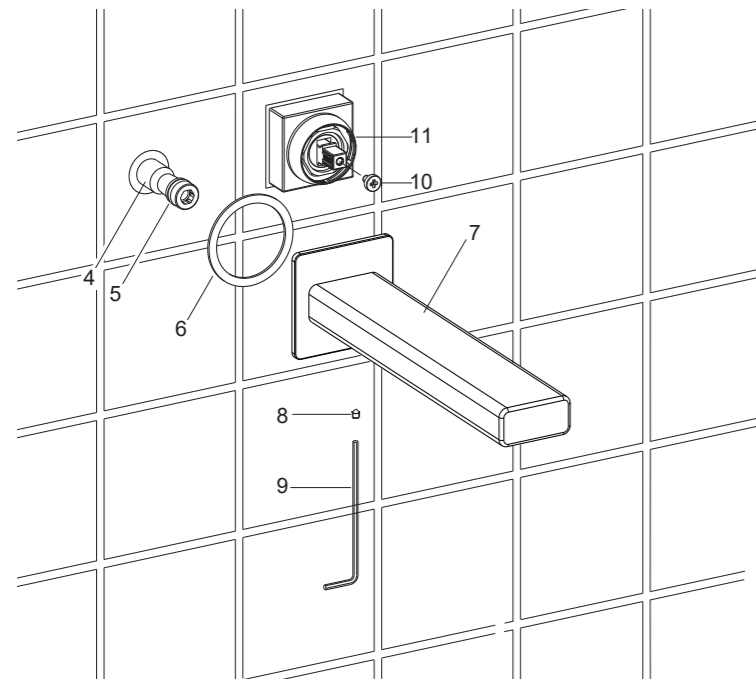
Construct a suitable wall frame for the valve body(1). Make sure that the frame is horizontal and correct.

Fix the valve body to the wall frame with the fixing screws(2, not provided). Be sure the arrow on the protector(3) is upward. The outer surface of the finished wall should be between the MAX and MIN marks on the protector. The size of the hole on the finished wall as the figure shown.

NOTE: Ensure the centerline of valve is vertical to the wall. Make sure that the valve body is straight and horizontal. Make sure that the frame is horizontal and correct.

Connect hot and cold supplies to the body as shown. Connect hot supply to the bottom inlet with the 'H' mark.

During installation, the protectors remain on the valve body.



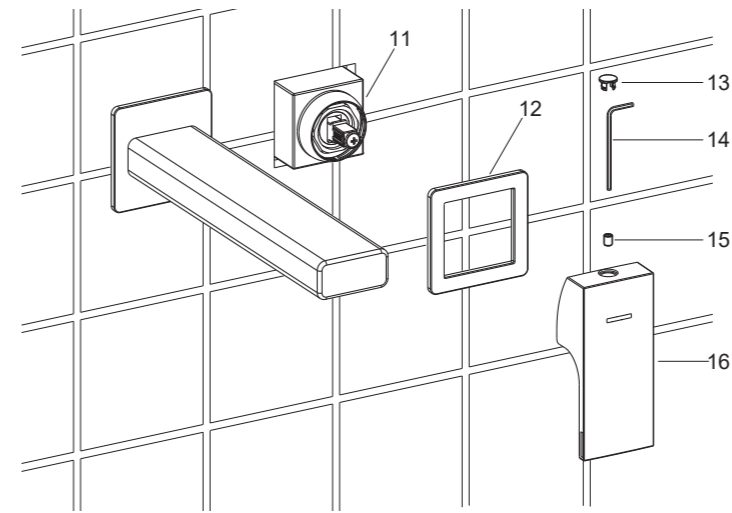
②

How to Install the Handle and Spout

Remove the protectors and remain the screw(10) after the wall is finished.

Remove the sticker from the washer(6), stick the washer into the rear of spout kit(7). Loosen the screw(8) in the spout kit with hex wrench(9).

Install the spout kit onto the connector(4) with its outlet downwards until it is against the wall. Tighten the screw(8) to secure the spout. **NOTE:** Don't damage the O-ring(5) on connector.



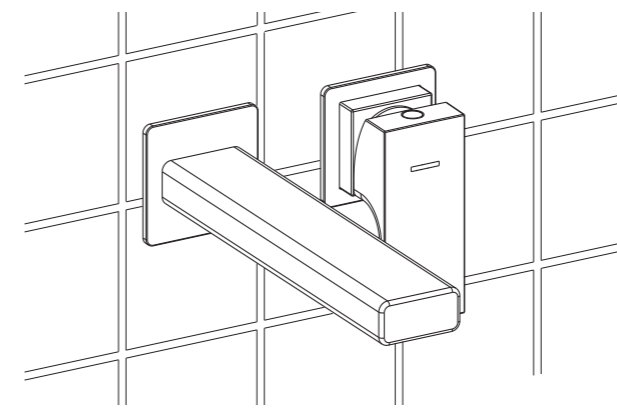
③

Supply enough plumbers putty or sealant to the rear of the escutcheon(12). Slide the escutcheon with washer onto the valve base(11).

Turn off the valve, and loosen the screw(15) in the handle(16) with 2.5mm hex wrench(14). Install the handle onto the valve base with it downwards. Tighten the screw with hex wrench and press the plug button(13) to the hole.

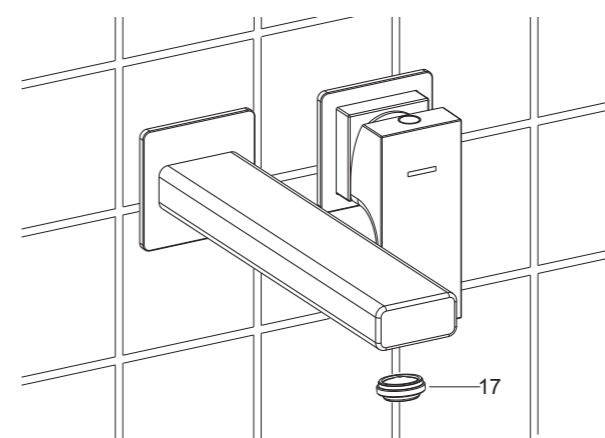
Remove any excess plumbers putty or sealant.

The illustration shown is the correct position of the spout and handle when the installation is completed.



④

INSTALLATION CHECKOUT



Ensure that all coupling nuts are tight. Ensure that the lever handle is in the off position.

Turn on the main water supply and drain, and check for leaks. Repair as needed.

Remove the aerator(17) by coin. Run hot and cold water through faucet for about one minute to remove any debris.

Remove any debris from the aerator. Shut off the faucet. Reinstall the aerator.

CLEANING INSTRUCTIONS

All Finishes: Clean the finish with mild soap and warm water. Wipe entire surface completely dry with clean soft cloth. Many cleaners may contain chemicals, such as ammonia, chlorine, toilet cleaner etc, which could adversely affect the finish and are not recommended for cleaning.

Do not use abrasive cleaners or solvents on Kohler faucets and fittings.