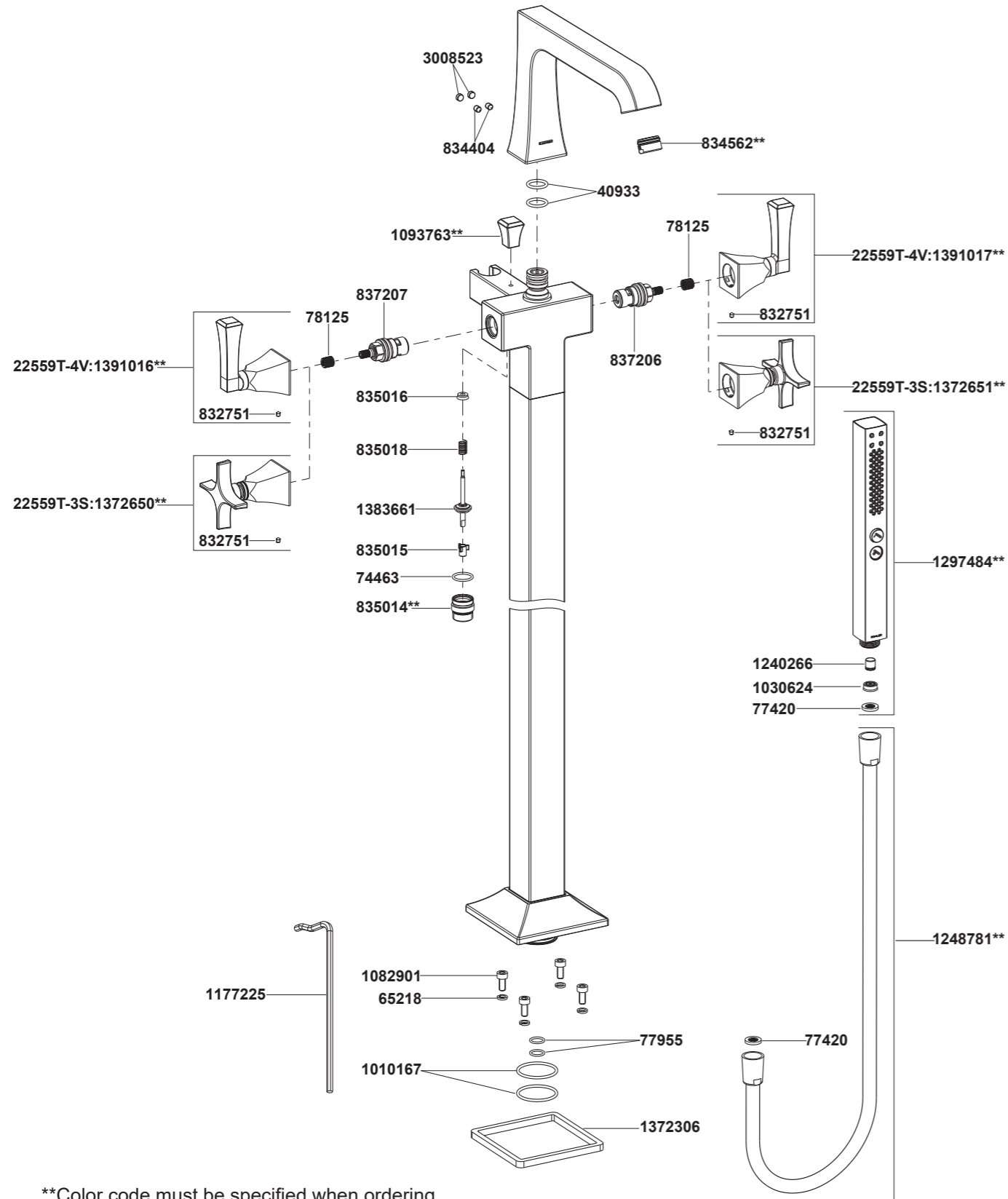


22559T-4V Floor Mount Bath Filler With Handshower -Lever
 22559T-3S Floor Mount Bath Filler With Handshower -Cross



**Color code must be specified when ordering.

22559T-4V Floor Mount Bath Filler With Handshower -Lever
 22559T-3S Floor Mount Bath Filler With Handshower -Cross

BEFORE YOU BEGIN

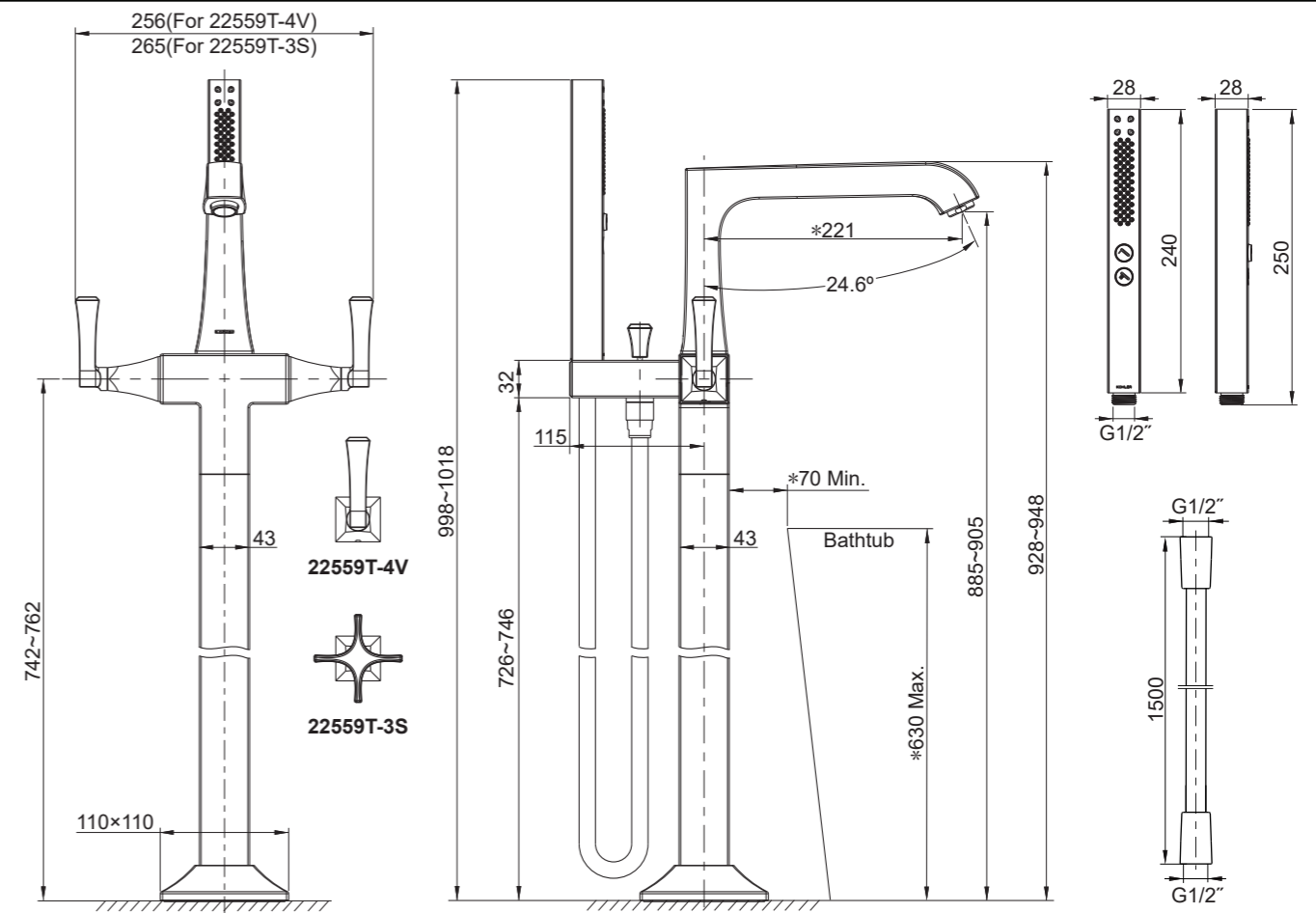
All information is based on the latest product information available at the time of publication. Kohler Co. reserves the right to make changes in product characteristics, packaging, or availability at any time without notice.

Please leave these instructions for the consumer. They contain important information.

NOTES:

1. Flush the water supply pipes thoroughly to remove debris.
2. Inspect the supply tubing for damage. Replace as necessary.
3. Observe local plumbing codes.
4. The minimum working pressure for the diverter is 0.05MPa(0.5bar).
5. Check for leaks before covering the pipes, repairs as needed.
6. The highest working pressure for handshower is 0.5MPa(5bar). If it exceeds 0.5MPa(5bar), a pressure reducer is needed. The highest water and environment temperature is 60°C. Please keep handshower and shower arm away from heater, or it may become damaged and cause injury to the user.
7. Please purchase the matched mounting base 97905T when install the faucet.

ROUGH-IN DIMENSIONS



* Please purchase the appropriate bathtub according to the dimension.

HANDLE OPERATION

Turn the left handle clockwise for hot water. Turn the right handle counter-clockwise for cold water.

Lift the diverter knob gently for handshower. Press the diverter knob back in the normal position for bath spout.

Press the buttons of the handshower to change the water flow.

INSTALLATION

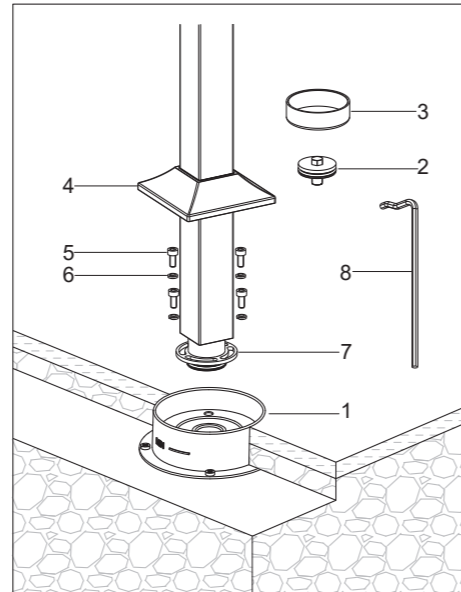
How to Install the Faucet

Shut off water supply. Cut away the extending part of the base protector(1) in accordance with the tile surface. Remove the plug(2) from the base. Remove the protector(3) from the faucet.

Slide up the escutcheon kit(4). Install the faucet. **NOTE:** Keep the faucet vertical to base, to avoid damaging the O-rings on the bottom.

Keep the spout pointing to tub. Fix the faucet to the base with the screws(5) and washers(6) through the flange(7). Tighten the screws with hex wrench(8).

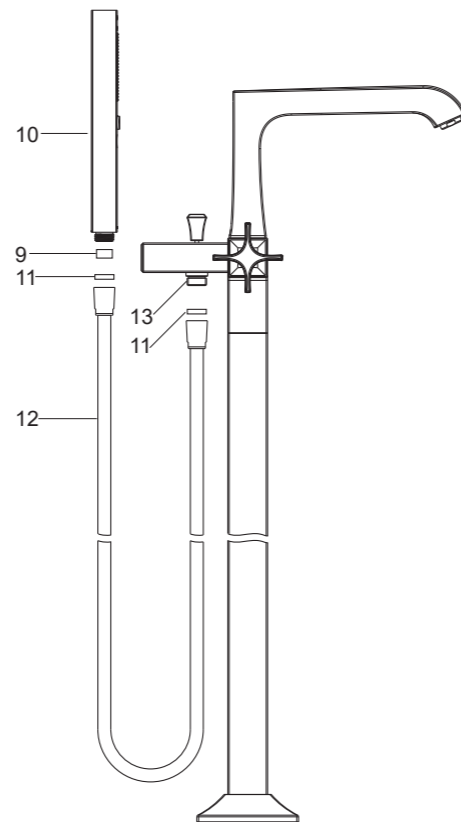
Slide down the escutcheon kit, make sure it is against the finished floor.



How to Install the Handshower

If needed, install the restrictor(9) into the handshower(10). Put the washers(11) into the hose(12). Connect the hose to the connector(13) of the diverter kit and handshower. Tighten all the connections.

Hang the handshower on the bracket.

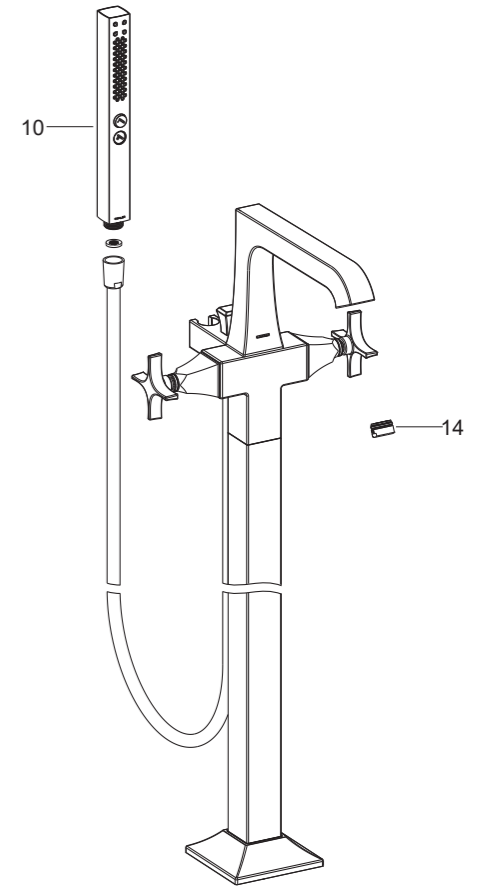


INSTALLATION CHECKOUT

Ensure that all coupling nuts are tight. Ensure that the handles are in the off position.

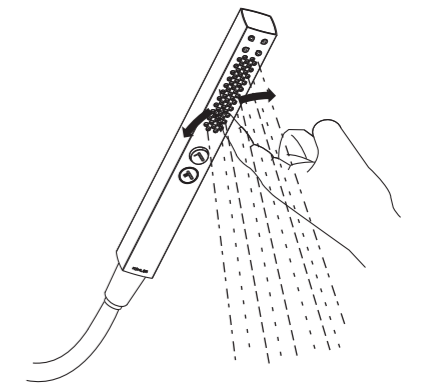
Turn on main water supply, and check for leaks. Repair as needed.

Remove the aerator(14) and handshower(10). Turn on faucet handle. Run hot and cold water through spout for about one minute to remove any debris. Remove and clean the screen washer. Check for leaks. Remove any debris. Shut off the faucet. Reinstall the aerator and handshower.



How to Maintain the Handshower

Any debris or mineral build-up may cause the flow stream distorted or reduce the flow rate. To remove the debris or mineral build-up, run water through the handshower, firmly press or rub your finger back and forth across the rubber nozzles.



CLEANING INSTRUCTIONS

All Finishes: Clean the finish with mild soap and warm water. Wipe entire surface completely dry with clean soft cloth. Many cleaners may contain chemicals, such as ammonia, chlorine, toilet cleaner etc, which could adversely affect the finish and are not recommended for cleaning.

Do not use abrasive cleaners or solvents on Kohler faucets and fittings.