

KOHLER®

ELECTRONIC BIDET SEAT

C3電腦馬桶便座

ฝารองนั่งเอนกประสงคไฟฟา

NÁP BỒN CẦU ĐIỆN TỬ

전자식 비데 시트

C3-255

K-22771TW-0 / K-22771TW-HC-0

K-22771KR-0 / K-22771KR-HC-0

K-22771X-0 / K-22771X-HC-0

K-22771K-0 / K-22771K-HC-0

K-22771MY-0 / K-22771MY-HC-0

K-22771A-0 / K-22771A-HC-0

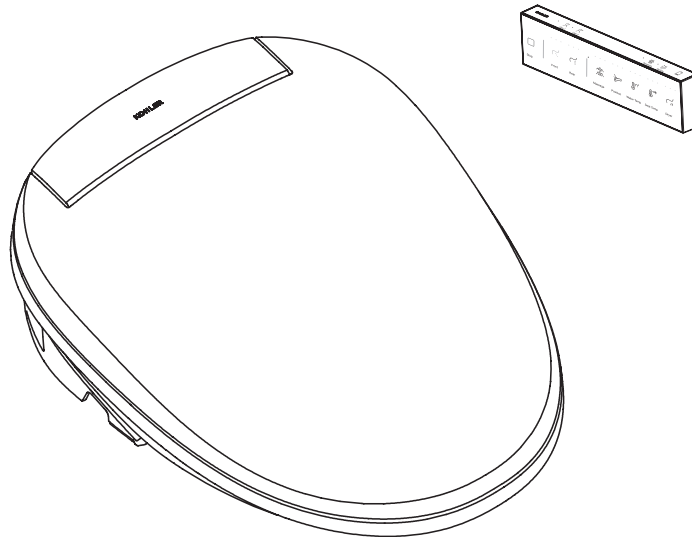
Installation Instructions

安裝說明

ข้อแนะนำในการติดตั้ง

Hướng dẫn lắp đặt

설치 지침



Kohler China Investment Co.,Ltd

No.158, Jiangchang San Road, Jing'an District, Shanghai, PRC 200436

Manufacturer: Shanghai Kohler Electronics, Ltd

No.1955, Fengxiang Road, Baoshan District, Shanghai, PRC 200444

Importer: Kohler Asia Pacific Taiwan, Tel.: +886-2-25818196

**8F., No. 148, SONGJIANG Rd., ZHONGSHAN DIST., TAIPEI CITY 104,
TAIWAN (R.O.C.), POST CODE: 104492**

科勒(中國)投資有限公司

中國上海市靜安區江場三路158號 郵編: 200436

製造商: 上海科勒電子科技有限公司

中國上海市寶山區豐翔路1955號 郵編: 200444

進口商: 香港商科勒亞洲有限公司台灣分公司 電話: +886-2-25818196

台灣台北市中山區松江路148號8樓 郵編: 104492

Important! This Manual is the property of the customer and must be retained with the product for maintenance and operational purposes.

Before Installation

1. Observe all local plumbing and building codes.
2. Do not use an extension cord with the product.

Warnings and Cautions

WARNING! Risk of electrical shock, fire or personal injury.

Connect only to dedicated power voltage and frequency circuit protected by Ground-Fault Circuit-Interrupters (GFCI) or Earth-Leakage Circuit-Breakers (ELCB's). Refer to **CONFIGURATION MATRIX** for more information.

WARNING! Risk of product damage.

Do not plug in the power cord before all other installation steps have been completed.

CAUTION! Risk of product or property loss.

Water leakage may happen if the water pipe connector is pulled or pushed with excessive force.

CAUTION! Risk of product damage.

The product may be damaged if applying excessive force to the nozzle.

CAUTION! Risk of product damage.

Be careful to align the thread when connecting the inlet pipe. Otherwise, it may damage the thread of the product water inlet and cause leakage.

ATTENTION: Do not use attachments not recommended by Kohler Co. such as T-valve etc.

ATTENTION: When installing the product in a room, a water inlet angle valve shall be installed in a close proximity. For emergency circumstances, the water inlet valve can be turned off without using any tools; otherwise unexpected failure may cause the loss to the customer.

ATTENTION: Do not immerse the product into water or at a place where it may be splashed by water.

ATTENTION: Do not install the product at a place with excessive humidity.

ATTENTION: Only tap water can be connected.

ATTENTION:

Min water pressure 0.07MPa (dynamic pressure)

Max water pressure 0.74MPa.

COMPLIANCE: Ensure installation adheres to local building code & applicable plumbing/electrical standards.

- The Kohler ELECTRONIC BIDET SEAT (K-22771A-0, K-22771A-HC-0) is WaterMark certified according to WMTS-051 Technical Specification for Plumbing and Drainage Products - Toilet Douche Seats.
- Installation shall be in accordance with the Plumbing Code of Australia.

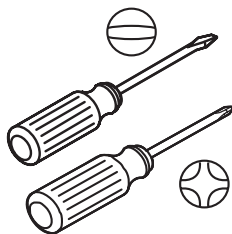
Backflow Prevention

- This product must be installed in accordance with the Plumbing Code of Australia (PCA), which requires provision of a High-Hazard Backflow Prevention device (not supplied). Please consult with your plumber or hydraulic consultant prior to installation
- Each site must have High Hazard Backflow Prevention installed upstream of the installation. For domestic installations, consult with a Licensed Practitioner (Plumber) before installation. For commercial applications, refer to a Hydraulic Consultant before specification or installation.

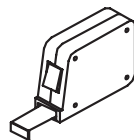
Tools Required



Adjustable
Wrench



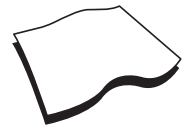
Screwdriver



Measuring Tape

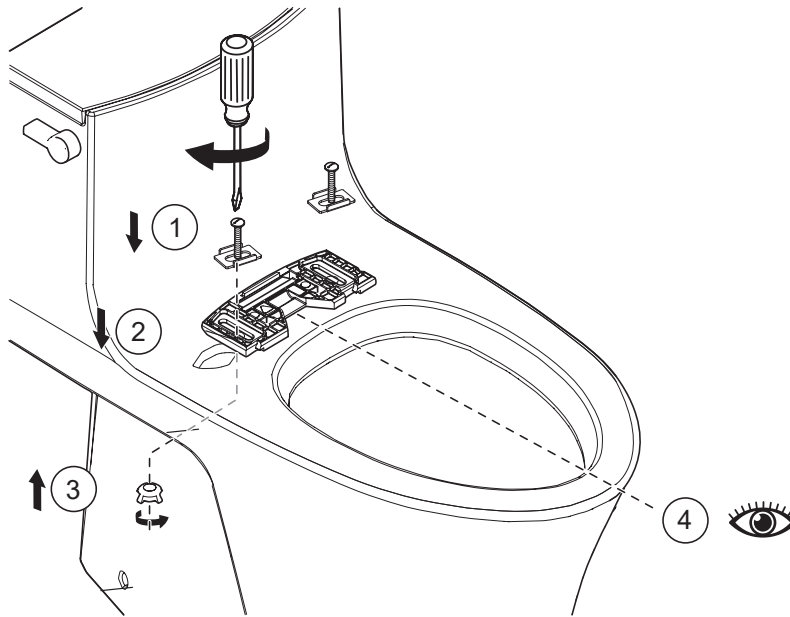


Percussion
Drill



Wiper

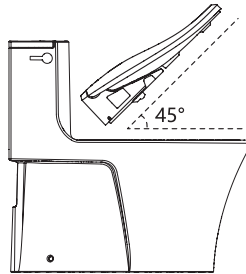
Install Mounting Plate



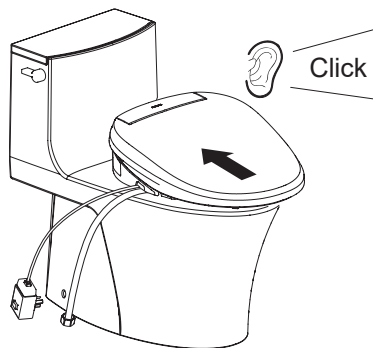
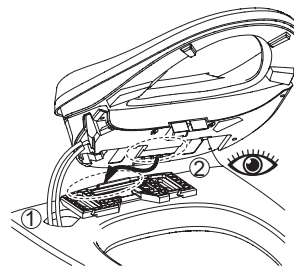
Note: Adjust the mounting plate (Stick the other anti-slide strip provided in the accessory kit onto the one already stuck on as needed). It fits various bidets, making the gap in-between uniform and the mounting plate easy to install.

Install Bidet Seat

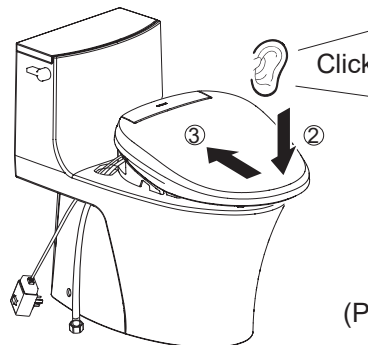
Installation Method A
Side Cord



Installation Method B
Hidden Cord

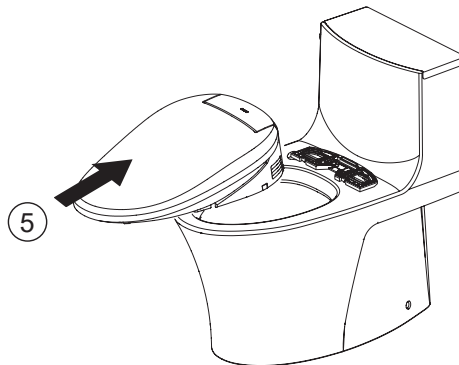
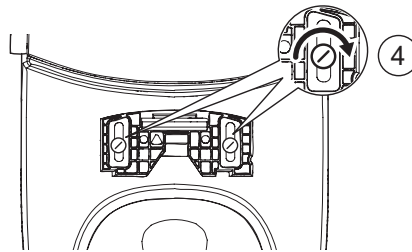
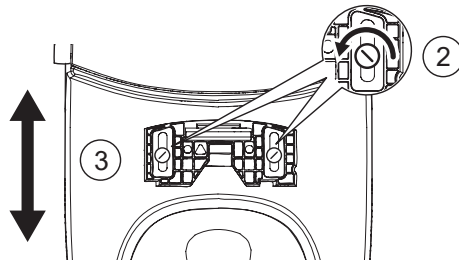
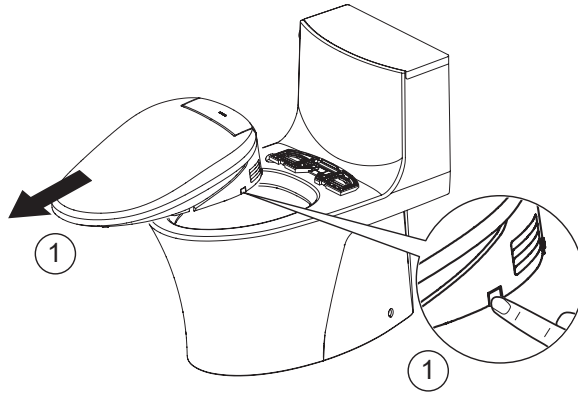


(Picture for Reference only)



(Picture for Reference only)

Adjust Bidet Seat

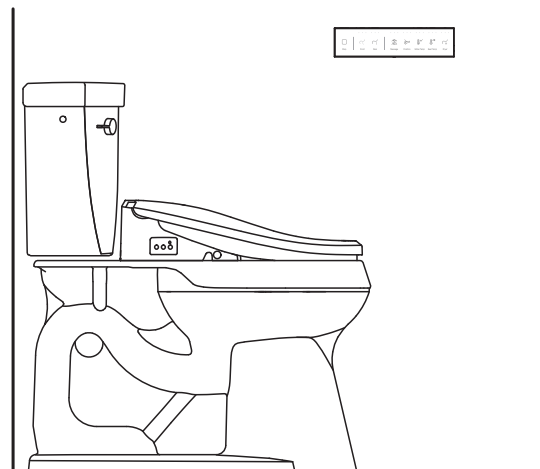
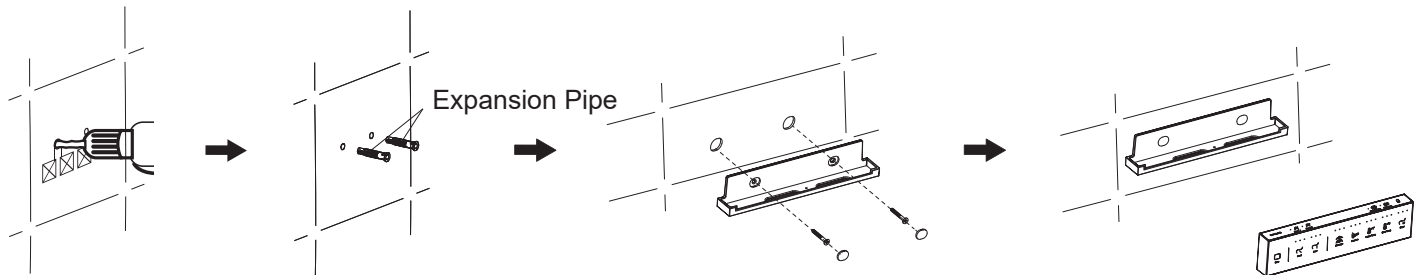


Installation of Remote Controller

Note: If the wall for installation is made of special material (such as wood board, density board and etc.), proper fixing methods shall be adopted.

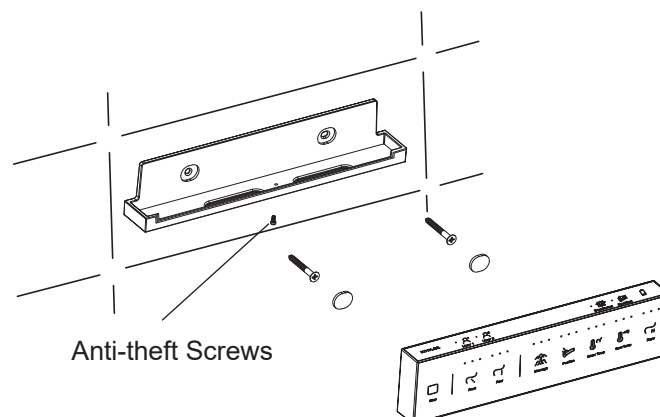
Note: The place to install the remote controller shall not be easily splashed by water.

1. Choose a mounting location for the remote holder that is easily accessible while sitting on the seat.
2. Drill two holes with the depth larger than 45mm on the wall by drill with a diameter of 6mm in accordance with the position of screw holes on the remote control holder, and then install the expansion tube into the holes.
3. Place the installation holder on the fixing hole.
4. Fix the holder with screws and install it.
5. Install the screw covers on the screws.
6. Place the remote controller on the holder.



Public Anti-loss Installation:

Place remote on the bracket and fasten the screws in the figure below.



Connect Water and Power Supply

Important! First water, then power.

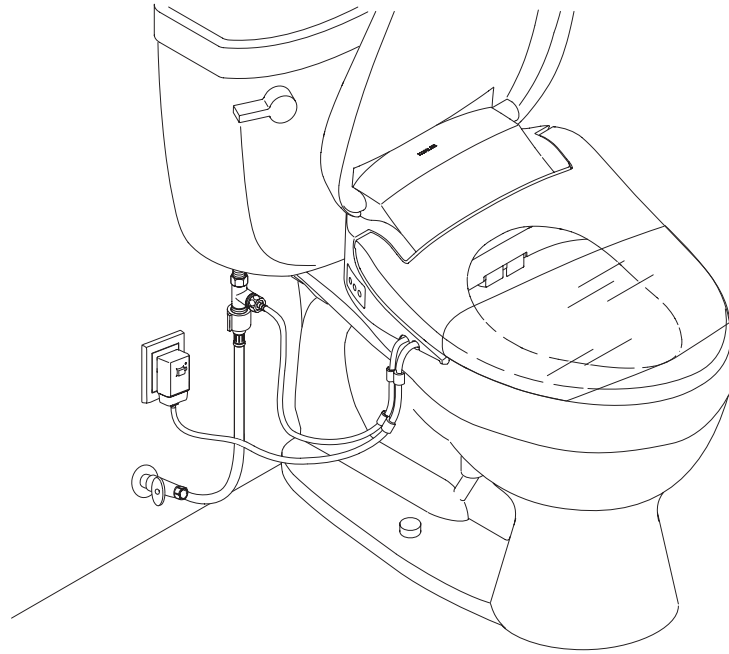
Important! Risk of product damage. Carefully align the thread of inlet pipe with that of the bidet seat. Do not break the threads or overtighten the joint. To fix the joint, tighten it with your hands and twist it a 1/4 turn with a tool.

1. Directly connect the tee joint with the bidet seat and the inlet pipe.

Attention! For newly installed piping systems, before connecting the inlet hose to the tee joint, the system must directly drain water for several seconds to remove sand and dirt from the pipeline.

2. Use the hose provided to connect the tee joint and the bidet seat.

Attention! It is required to use the new hose assembly attached with the appliance. Do not re-use the old one.



(Picture for Reference only)

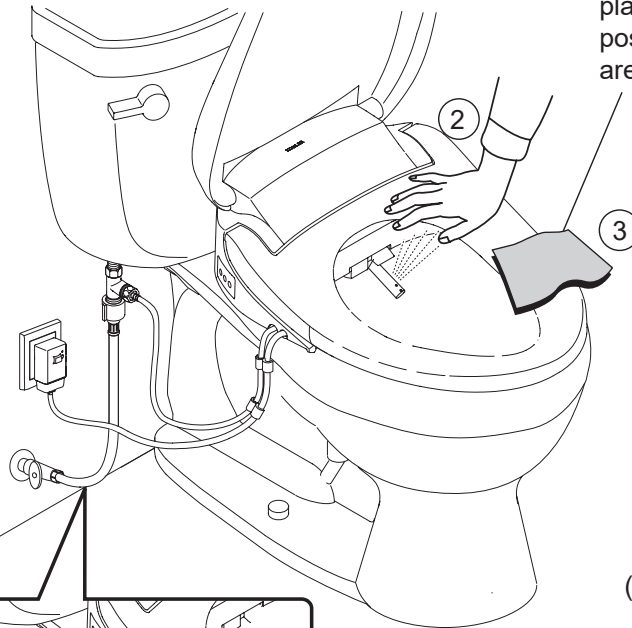
3. Tighten all connectors.

4. Open the water supply system.

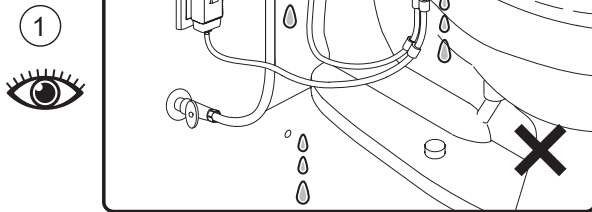
Attention! Be sure to thoroughly rinse the water supply pipe to remove impurities from the pipeline. Use drinkable tap water as the water source. Do not use industrial water, wastewater, sewage or sea water.

Installation Inspection

The seat is designed to be seat-on detection mode. A wet towel shall be placed on the right of the seat at the 1/3 position away from the front end (sensing area).



(Picture for Reference only)



1. Plug power cord into socket. Bidet seat generates one short beep, wand extends and retracts once, nightlight flash, until initialization completes.
Note: The plug in picture is schematic only. For the plugs of each region refer to CONFIGURATION MATRIX.
2. Turn on this product according to the "PREPARATIONS BEFORE INITIAL OPERATIONS" section of the Homeowners Guide.
3. Continue to read the "USE GUIDE" section of the Homeowners Guide to test functions of this product.

安裝前

1. 遵守所有當地管道和建築法規。
2. 請勿在產品上使用延長線。

安全注意事項

警告!有觸電、火災或人身傷害風險。

只能連接專用的帶接地故障斷路器 (GFCI) 或漏電斷路器 (ELCB) 保護的電壓和頻率電路中。請參閱「配置表」以瞭解更多資訊。

警告!產品損壞的危險。

在完成所有其他安裝步驟前，請勿插上電源線。

注意事項!產品損壞或財產損失的風險。

硬推、硬拉水管接頭可能造成漏水。

注意事項!產品損壞的危險。

如果在噴嘴上過度用力，產品可能會損壞。

注意事項!產品損壞的危險。

連接進水管時，請注意要對齊螺紋。否則，可能會損壞產品進水口的螺紋，並導致滲漏。

注意：請勿使用非Kohler Co. 推薦的附件，如三通閥等。

注意：在安裝本產品的房間中，必須在觸手可及的位置安裝一個進水角閥，以便在緊急情況下，無需借助工具即可切斷本產品的進水水路；否則本產品的意外故障可能會導致使用者損失。

注意：請勿將產品浸入水中，或將其放在會被水濺到的地方。

注意：請勿在過度潮濕的地方安裝產品。

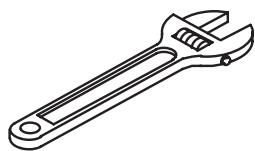
注意：只能連接到自來水。

注意：

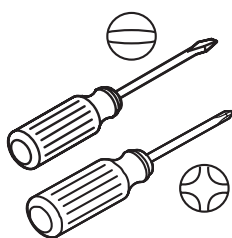
最低水壓 0.07MPa (動壓)

最高水壓 0.74MPa。

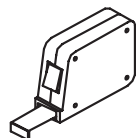
所需工具



所需工具



螺絲刀



捲尺

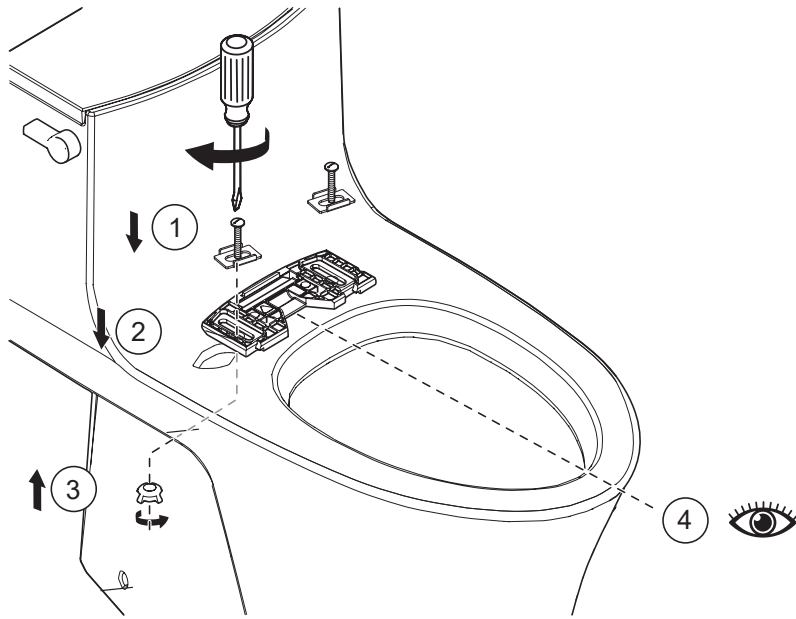


衝擊鑽



擦拭布

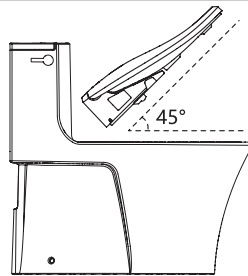
安裝安裝板



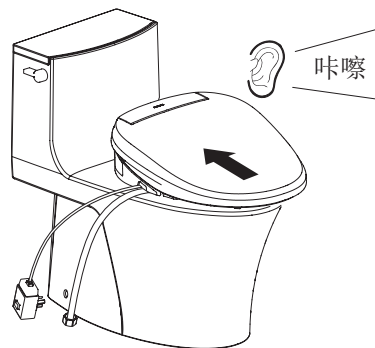
注意：調整安裝板(根據需要將附件工具包中提供的另一條防滑帶粘到已經粘上的防滑帶上)。它適合各種馬桶座,使中間的縫隙均勻,且安裝板易於安裝)。

安裝馬桶座

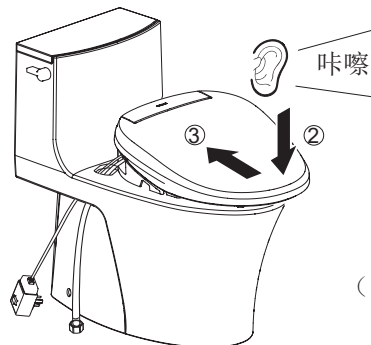
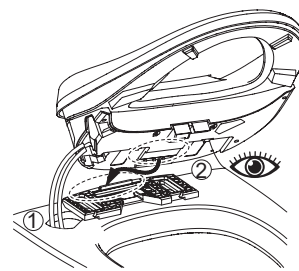
安裝方式 A
側電源線



安裝方式 B
隱藏電源線

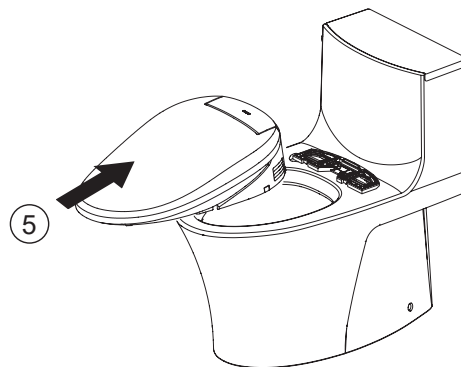
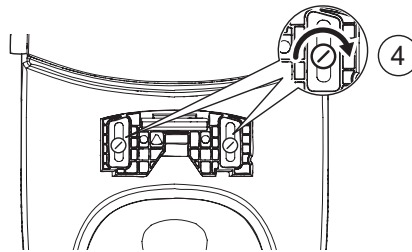
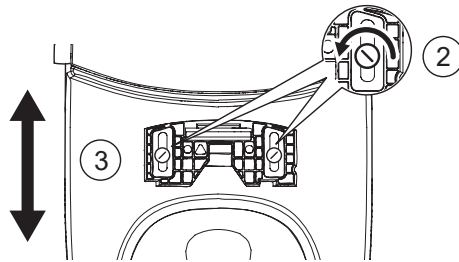
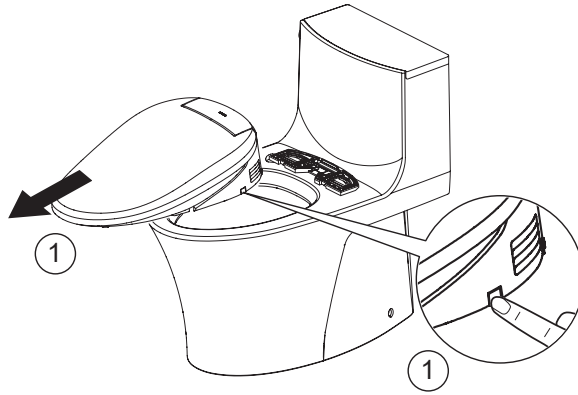


(圖片只供參考)



(圖片只供參考)

調整馬桶座

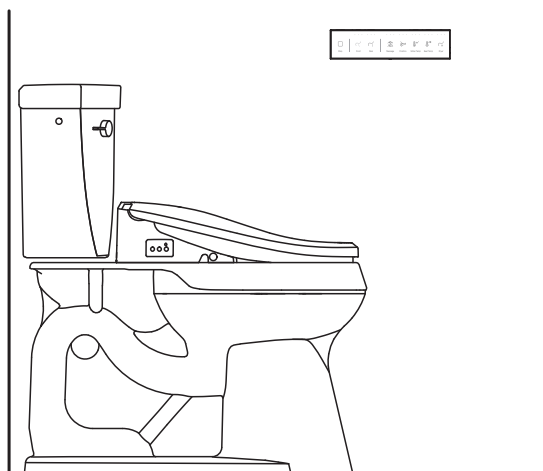
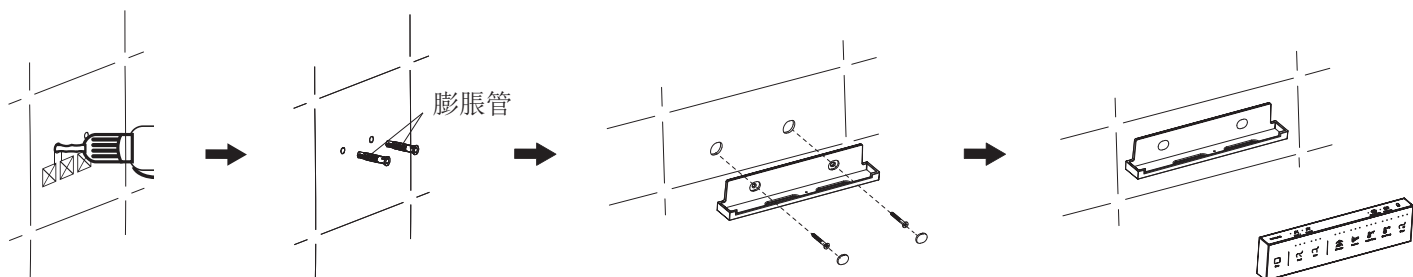


安裝遠端遙控器

注意：如果要安裝的牆壁是由特殊材料製成（比如木板、密度板等），應採用適當的固定方式。

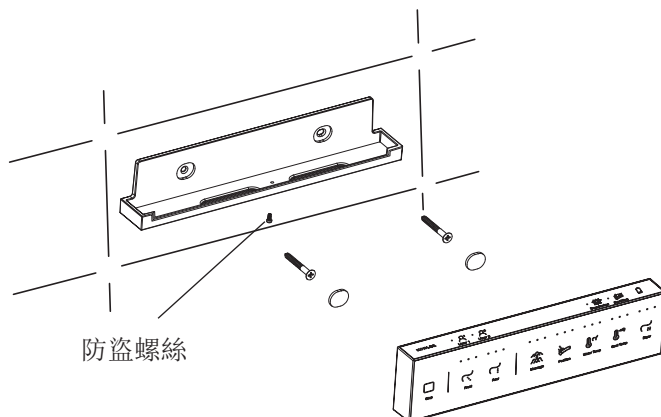
注意：安裝遙控器的地方應不易被水濺到。

1. 選擇坐在座圈上能輕鬆接觸到的位置來安裝遠端遙控器架。
2. 根據遠端遙控器架上螺孔的位置，用直徑為 6 公釐的鑽頭在牆上鑽兩個深度超過 45 公釐的孔，然後將膨脹管裝入孔中。
3. 將安裝支架放在固定孔上。
4. 用螺絲固定支架並安裝它。
5. 在螺絲上安裝螺絲蓋。
6. 將遠端遙控器放在支架上。



公共防遺失安裝：

將遠端遙控器放在支架上，並旋緊下圖中的螺絲。



連接水和電源

重要提示！ 先接水，再通電。

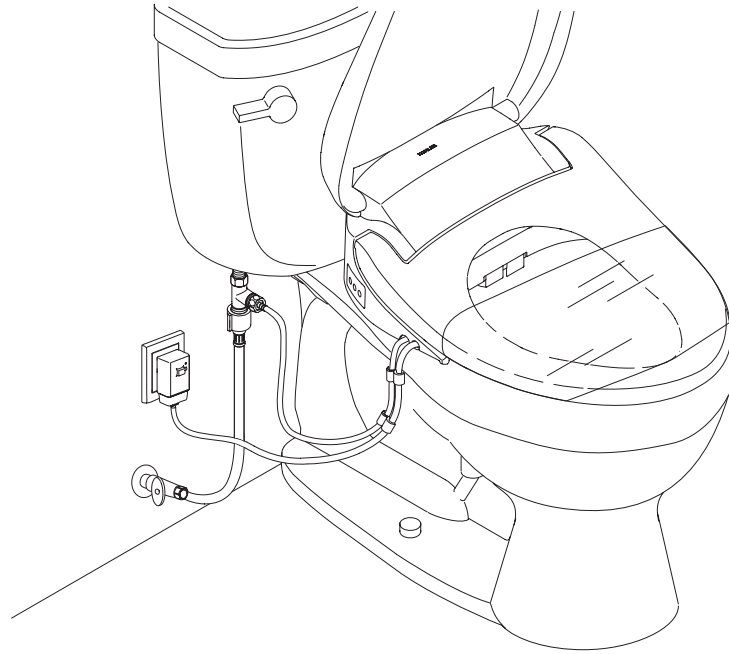
重要提示！ 產品損壞的危險。仔細將進水管的螺紋與馬桶座的螺紋對齊。請勿打斷螺紋或過度旋緊接頭。若要固定接頭，請用手將其旋緊，並用工具將其旋轉 1/4 圈。

1. 直接將 T 型接頭連接到馬桶座和進水管。

注意！ 對於新安裝的管道系統，在將進水軟管連接到 T 型接頭前，系統必須直接排水幾秒鐘，以便清除管道中的沙子和污物。

2. 使用提供的軟管連接到 T 型接頭和馬桶座。

注意！ 必須使用隨附的新軟管組件，舊軟管組件不能重複使用。



(圖片只供參考)

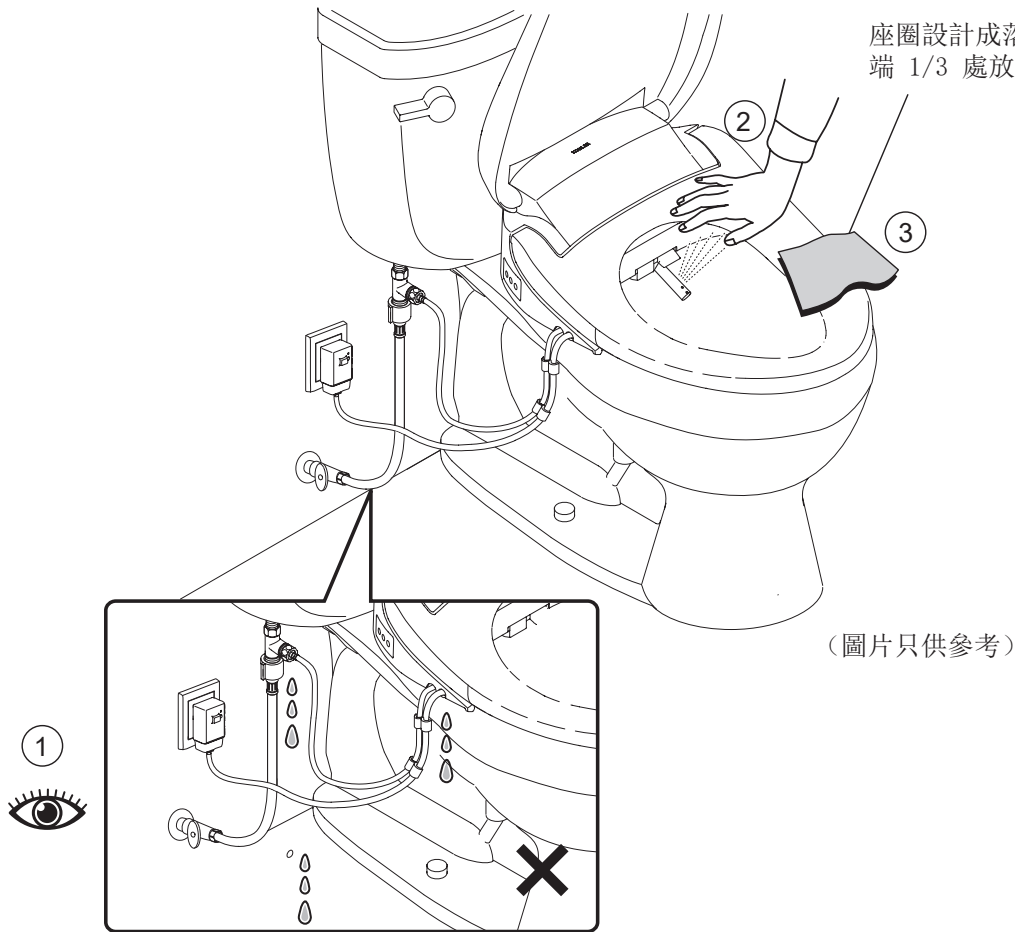
3. 旋緊所有的連接頭。

4. 開啟供水系統。

注意！ 請務必徹底沖洗供水管，以清除管道中的雜質。使用可飲用自來水作為水源。請勿使用工業用水、廢水、污水或海水。

安裝檢查

座圈設計成落座偵測模式。應在座圈右側距離前端 1/3 處放置一條濕毛巾（傳感區域）。



(圖片只供參考)

1. 當電源線插上電源插座，馬桶座發出短蜂鳴 1 次，噴管伸縮 1 次，夜燈閃爍，直到初始化結束。
注意：圖片中的插頭僅為原理圖。請參閱「配置矩陣」以瞭解每個區域的插頭。
2. 根據使用者指南的「初次使用前準備」章節開啟此產品。
3. 繼續閱讀使用手冊的「使用指南」部分，以測試此產品的功能。

ก่อนการติดตั้ง

1. ปฏิบัติตามประมวลกฎหมายว่าด้วยระบบประปาและอาคารในท้องถิ่นทั้งหมด
2. อย่าใช้สายต่อพ่วงกับผลิตภัณฑ์

คำเตือนและข้อควรระวัง

คำเตือน! ความเสี่ยงต่อไฟดูด เพลิงไหม้ และการบาดเจ็บส่วนบุคคล

เชื่อมต่อเฉพาะกับวงจรแรงดันไฟฟ้าและความถี่โดยเฉพาะซึ่งป้องกันโดยตัวขัดขวางวงจรไฟฟ้าเพื่อป้องกันไฟฟ้าลัดวงจร (Ground-Fault Circuit-Interrupters, GFCI) หรือเครื่องตัดไฟรั่ว (Earth-Leakage Circuit-Breakers, ELCB's) ดู เมทริกซ์การกำหนดค่า สำหรับข้อมูลเพิ่มเติม

คำเตือน! ความเสี่ยงต่อความเสียหายต่อผลิตภัณฑ์

อย่าเสียบปลั๊กสายไฟก่อนที่จะทำขั้นตอนติดตั้งอื่น ๆ ทั้งหมดเสร็จแล้ว

ข้อควรระวัง! ความเสี่ยงต่อการสูญหายของผลิตภัณฑ์และทรัพย์สิน

อาจเกิดน้ำรั่วขึ้นหากมีการดึงหรือดันตัวต่อท่อเข้าด้วยแรงที่มากเกินไป

ข้อควรระวัง! ความเสี่ยงต่อความเสียหายต่อผลิตภัณฑ์

ผลิตภัณฑ์อาจได้รับความเสียหายหากใช้แรงกับหัวฉีดมากเกินไป

ข้อควรระวัง! ความเสี่ยงต่อความเสียหายต่อผลิตภัณฑ์

ระมัดระวังในการวางแนวเกลียวให้ตรงกันเมื่อต่อท่อเข้า มิฉะนั้นอาจทำความเสียหายเกลียวของท่อเข้าของผลิตภัณฑ์และทำให้เกิดการรั่วได้

โปรดทราบ: อย่าใช้ตัวต่อที่บริษัท Kohler ไม่ได้แนะนำ เช่น ที-วาล์ว ฯลฯ

โปรดทราบ: เมื่อติดตั้งผลิตภัณฑ์ในห้อง จะต้องติดตั้งวาล์วฉากน้ำเข้าไว้ใกล้ๆ สำหรับสถานการณ์ฉุกเฉิน วาล์วน้ำเข้าสามารถปิดได้โดยที่ไม่ได้ใช้เครื่องมือใด ๆ มิฉะนั้นอาจมีการทำงานที่ไม่ถูกต้องที่ไม่คาดคิดซึ่งก่อให้เกิดความสูญเสียแก่ลูกค้าได้

โปรดทราบ: อย่าแช่ผลิตภัณฑ์ลงในน้ำหรือในสถานที่ซึ่งอาจมีน้ำกระเด็น

โปรดทราบ: อย่าติดตั้งผลิตภัณฑ์ในที่ซึ่งมีความชื้นมากเกินไป

โปรดทราบ: ต่อได้เฉพาะน้ำประปาเท่านั้น

โปรดทราบ:

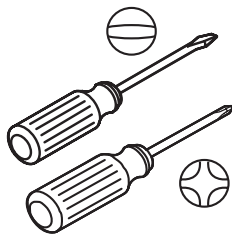
แรงดันน้ำต่ำสุด 0.07 MPa (แรงดันแบบไดนามิก)

แรงดันน้ำสูงสุด 0.74 MPa

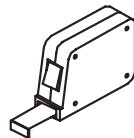
เครื่องมือที่จำเป็นต้องมี



ประแจเลื่อน



ไขควง



ปลั๊ก

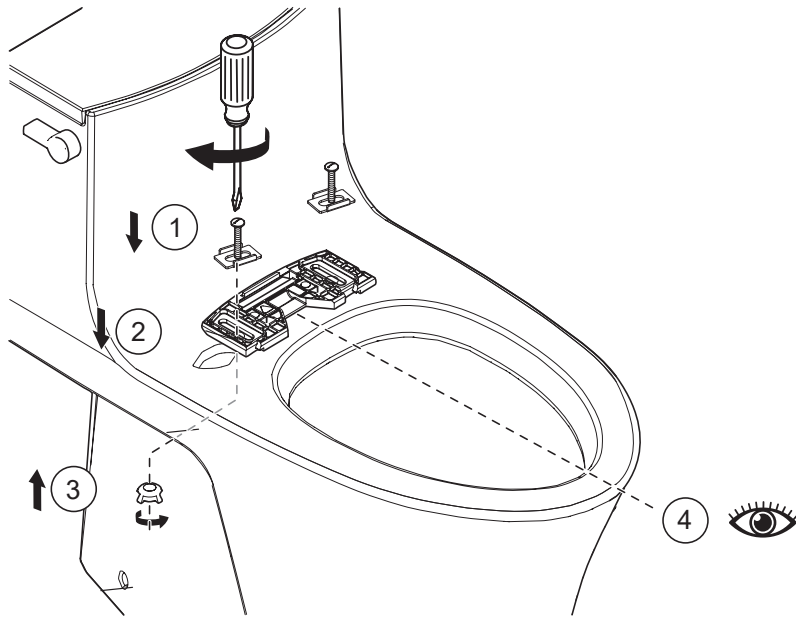


สว่านเจาะ
กระแทก



ผ้าเช็ด

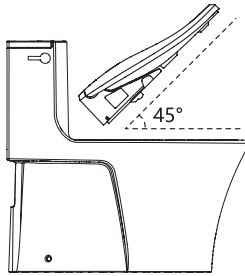
ติดตั้งแผ่นยึด



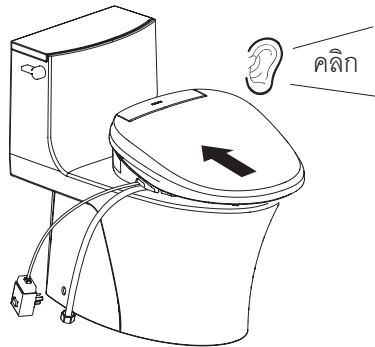
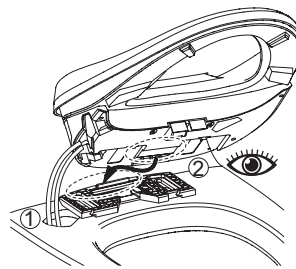
หมายเหตุ: ปรับแผ่นยึด (ติดแผ่นกันเลื่อนอื่น ๆ ที่ให้มาในชุดอุปกรณ์เสริมที่แผ่นที่ติดไว้แล้วตามความจำเป็น) แผ่นนี้พอดีกับฝารองนั่ง
อเนกประสงค์ต่าง ๆ โดยทำให้ช่องว่างระหว่างรูปแบบเดียวกันและแผ่นยึดง่ายต่อการติดตั้ง

ติดตั้งฝารองนั่งอเนกประสงค์

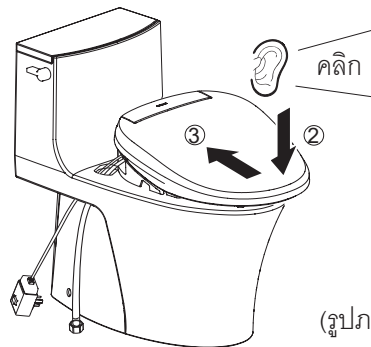
วิธีการติดตั้ง A
สายด้านข้าง



วิธีการติดตั้ง B
สายซ่อน

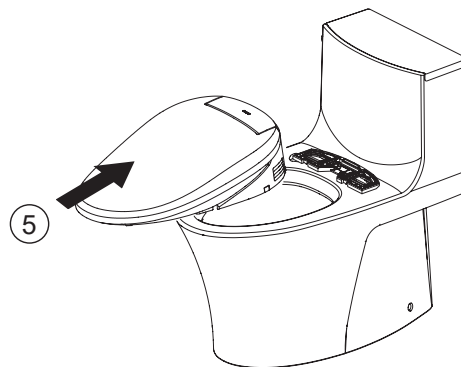
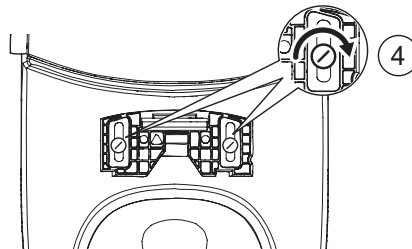
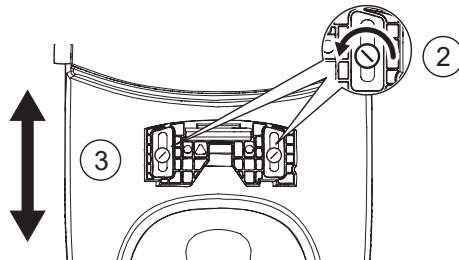
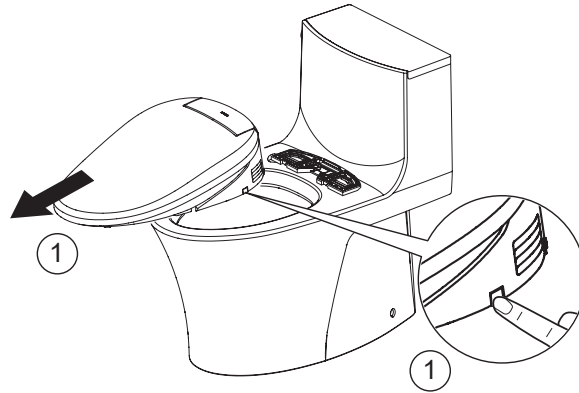


(รูปภาพสำหรับการอ้างอิงเท่านั้น)



(รูปภาพสำหรับการอ้างอิงเท่านั้น)

ปรับฝารองนั่งอเนกประสงค์

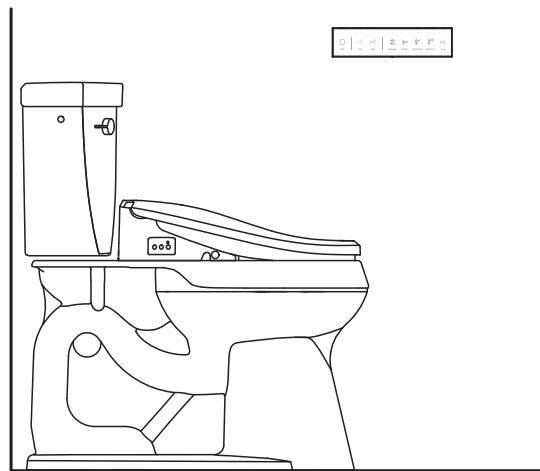
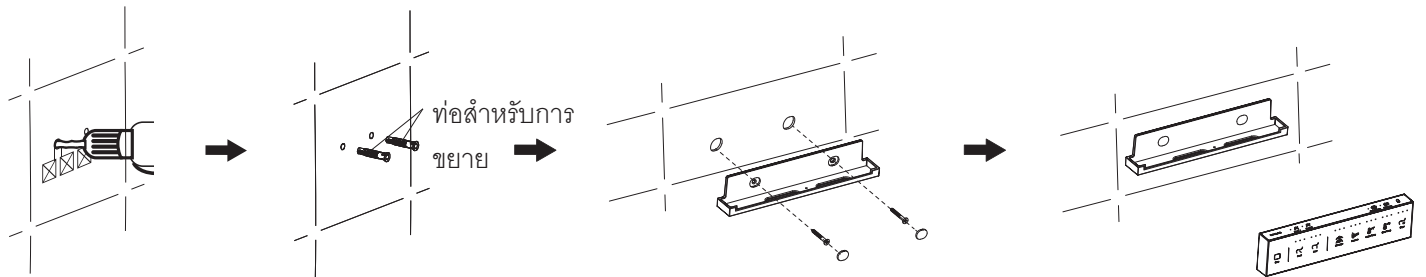


การติดตั้งรีโมทคอนโทรล

หมายเหตุ: หากผนังสำหรับการติดตั้งทำจากวัสดุพิเศษ (เช่น ผนังไม้ ผนังไม้อัด ฯลฯ) จะต้องใช้วิธียึดที่ถูกต้อง

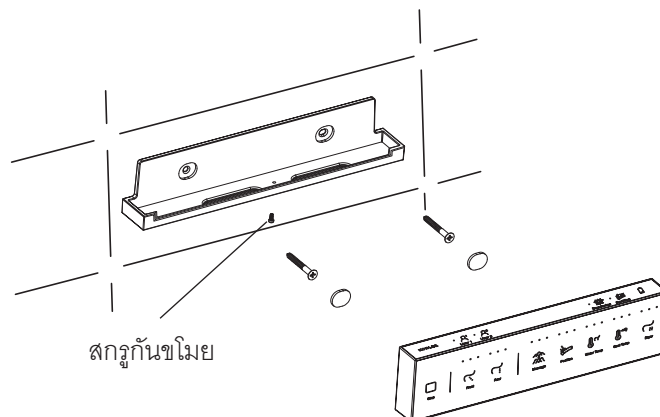
หมายเหตุ: ที่สำหรับติดตั้งรีโมทคอนโทรลต้องไม่ถูกน้ำกระเด็นได้ง่าย

1. เลือกตำแหน่งในการยึดสำหรับที่ใส่รีโมทซึ่งเข้าถึงได้ง่ายในขณะที่นั่งบนฝารองนั่ง
2. เจาะผนังสองรูโดยมีความลึกมากกว่า 45 มม. ด้วยสว่านที่มีเส้นผ่านศูนย์กลาง 6 มม. ตามตำแหน่งของรูสกรูบนที่ใส่รีโมทคอนโทรล แล้วติดตั้งท่อต่อขยายเข้าไปในรู
3. นำที่ใส่ที่ติดตั้งไปที่รูยึด
4. ยึดที่ใส่ด้วยสกรูและทำการติดตั้ง
5. ติดตั้งตัวครอบสกรูบนสกรู
6. วางรีโมทคอนโทรลบนที่ใส่



การติดตั้งเพื่อป้องกันการสูญหายในที่สาธารณะ:

วางรีโมทไว้ในตัวยึด แล้วยึดด้วยสกรูในรูปด้านล่าง



ต่อแหล่งจ่ายน้ำและไฟฟ้า

สิ่งสำคัญ! ติดตั้งน้ำก่อน จากนั้นจึงติดตั้งไฟฟ้า

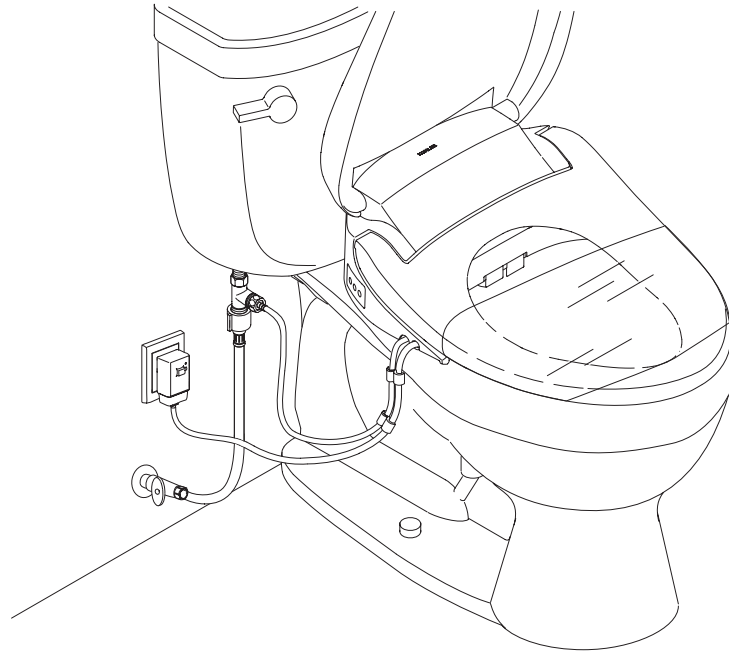
สิ่งสำคัญ! ความเสี่ยงต่อความเสียหายต่อผลิตภัณฑ์ วางแนวเกลียวของท่อน้ำเข้ากับเกลียวของฝารองนั่งอเนกประสงค์อย่างระมัดระวัง อย่าทำให้มีการป็นเกลียวหรือขันข้อต่อแน่นเกินไป ในการยึดข้อต่อ ให้ขันด้วยมือ และหมุน 1/4 รอบด้วยเครื่องมือ

1. ต่อข้อต่อรูปตัวทีกับฝารองนั่งอเนกประสงค์และท่อน้ำเข้าโดยตรง

โปรดทราบ! สำหรับระบบท่อที่ติดตั้งใหม่ ก่อนที่จะต่อท่อน้ำเข้ากับข้อต่อรูปตัวที ระบบจะต้องระบายน้ำออกโดยตรงเป็นเวลาหลายวินาที เพื่อขจัดทรายและสิ่งสกปรกออกจากท่อ

2. ใช้ท่ออ่อนที่นำมาเพื่อต่อข้อต่อรูปตัวทีและฝารองนั่งอเนกประสงค์

โปรดทราบ! จะต้องใช้ชุดประกอบท่ออ่อนใหม่ต่อกับอุปกรณ์ อย่างนำส่วนประกอบเก่ามาใช้ซ้ำ



(รูปภาพสำหรับการอ้างอิงเท่านั้น)

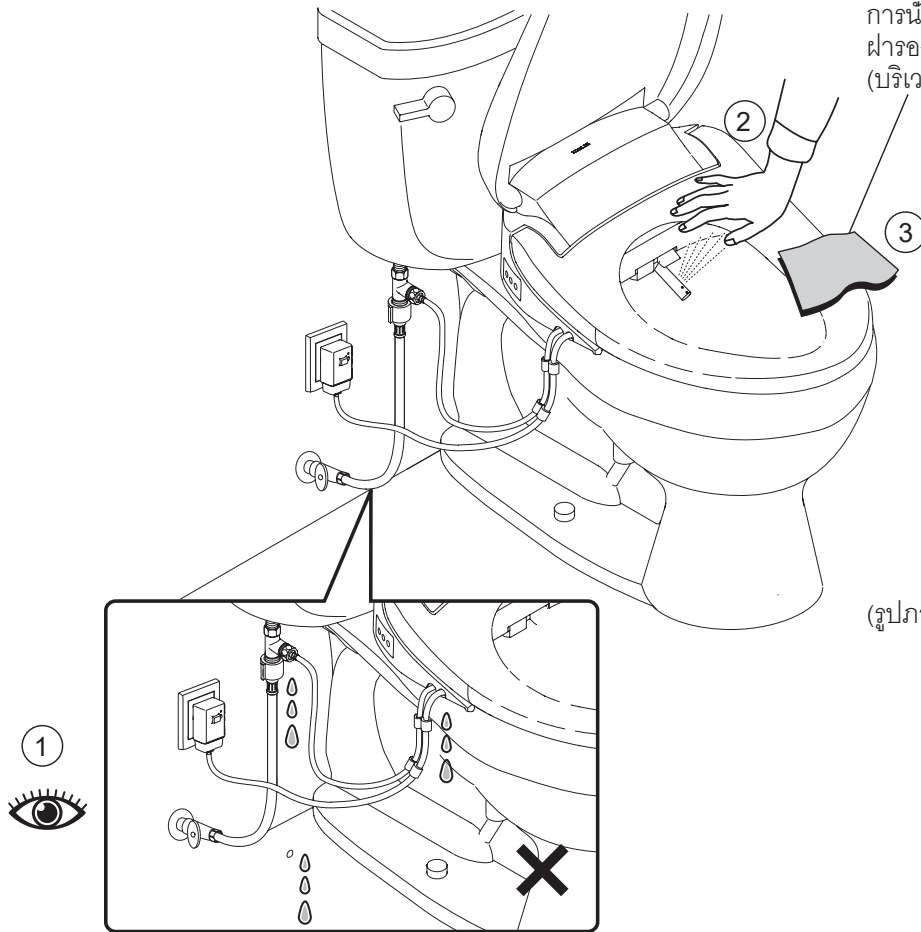
3. ขันตัวต่อทั้งหมดให้แน่น

4. เปิดระบบจ่ายน้ำ

โปรดทราบ! ให้ล้างท่อจ่ายน้ำอย่างทั่วถึงเพื่อขจัดสิ่งปนเปื้อนออกจากท่อ ใช้น้ำประปาที่ดื่มได้เป็นแหล่งน้ำ อย่าใช้น้ำจากอุตสาหกรรม น้ำเสีย น้ำโสโครก หรือน้ำทะเล

การตรวจสอบการติดตั้ง

ฝารองนั่งนี้ได้รับการออกแบบมาให้มีโหมดตรวจจับการนั่ง จะต้องวางผ้าขนหนูเปียกไว้ทางด้านขวาของฝารองนั่งที่ตำแหน่ง 1/3 ที่ห่างจากปลายด้านหน้า (บริเวณตรวจจับ)



(รูปภาพสำหรับการอ้างอิงเท่านั้น)

1. เสียบปลั๊กสายไฟเข้ากับเต้ารับ ฝารองนั่งเอนกประสงค์จะทำให้เสียงบีบสั่น ๆ ก้านฉีดจะขยายออกและหดเข้าหนึ่งครั้ง ไฟกลางคืนจะกระพริบจนกระทั่งการเริ่มทำงานเสร็จสมบูรณ์
หมายเหตุ: ปลั๊กในรูปแบบเป็นแผนภาพเคำร่า่งเท่านั้น สำหรับปลั๊กในแต่ละภูมิภาคโปรดดู เมทริกซ์การกำหนดค่า
2. เปิดผลิตภัณฑ์นี้ตามหัวข้อ “การเตรียมก่อนการใช้งานครั้งแรก” ของคู่มือสำหรับเจ้าบ้าน
3. อ่านหัวข้อ “คู่มือการใช้งาน” ของคู่มือสำหรับเจ้าของบ้านเพื่อทดสอบฟังก์ชันของผลิตภัณฑ์นี้

Trước khi lắp đặt

1. Tuân thủ tất cả các quy chuẩn xây dựng và hệ thống ống nước tại địa phương.
2. Không sử dụng dây nối đối với sản phẩm.

Cảnh báo và thận trọng

CẢNH BÁO! Nguy cơ điện giật, hỏa hoạn hoặc thương tích cá nhân.

Chỉ kết nối với mạch tần số và điện áp nguồn chuyên dụng được bảo vệ bởi Bộ ngắt mạch lỗi nối đất (GFCI) hoặc Bộ ngắt mạch rò rỉ nối đất (ELCB). Tham khảo MA TRẬN CẤU HÌNH để biết thêm thông tin.

CẢNH BÁO! Nguy cơ hư hỏng sản phẩm.

Không cắm dây nguồn trước khi hoàn thành tất cả các bước lắp đặt khác.

THẬN TRỌNG! Nguy cơ thiệt hại sản phẩm hoặc tài sản.

Có thể xảy ra rò rỉ nước nếu đầu nối ống nước bị kéo hoặc đẩy với lực quá mạnh.

THẬN TRỌNG! Nguy cơ hư hỏng sản phẩm.

Sản phẩm có thể bị hỏng nếu tác dụng lực quá mạnh vào đầu vòi.

THẬN TRỌNG! Nguy cơ hư hỏng sản phẩm.

Hãy căn chỉnh ren cẩn thận khi nối đường ống dẫn nước. Nếu không, có thể làm hỏng ren của đường dẫn nước của sản phẩm và gây rò rỉ.

CHÚ Ý: Không sử dụng các phụ kiện không được Kohler Co. khuyến dùng như van chữ T, v.v.

CHÚ Ý: Khi lắp đặt sản phẩm trong phòng, van góc dẫn nước phải được lắp đặt gần nhau. Đối với các trường hợp khẩn cấp, có thể tắt van dẫn nước mà không cần sử dụng bất kỳ công cụ nào; nếu không, việc xảy ra lỗi bất ngờ có thể gây ra tổn thất cho khách hàng.

CHÚ Ý: Không nhúng sản phẩm vào nước hoặc nơi có thể bị nước bắn vào.

CHÚ Ý: Không nhúng sản phẩm vào nước hoặc nơi có thể bị nước bắn vào.

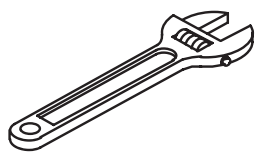
CHÚ Ý: Không nhúng sản phẩm vào nước hoặc nơi có thể bị nước bắn vào.

CHÚ Ý:

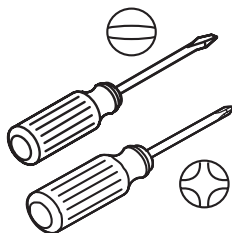
Áp lực nước tối thiểu 0,07 MPa (áp suất động)

Áp lực nước tối đa 0,74 MPa.

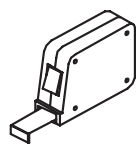
Các công cụ cần có



Mỏ lết có thể điều chỉnh



Tuốc nở vít



Thước dây

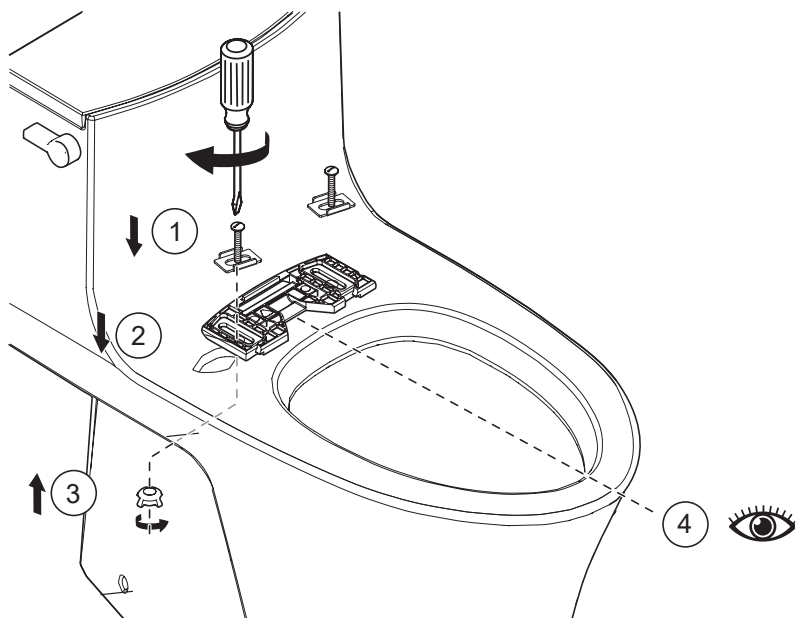


Máy khoan đập



Khăn lau

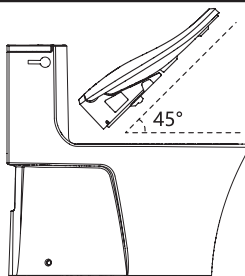
Lắp phiến gắn



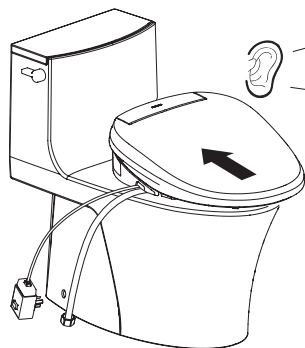
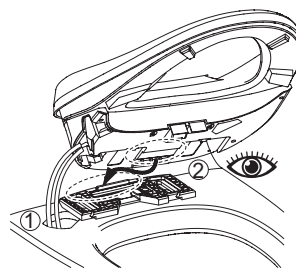
Lưu ý: Điều chỉnh phiến gắn (Dán thanh chống trượt khác được cung cấp trong bộ phụ kiện vào phiến đã được đính nếu cần). Nó phù hợp với nhiều vòi xịt vệ sinh khác nhau, làm cho khoảng cách ở giữa đồng đều và dễ dàng lắp đặt phiến gắn.

Lắp nắp bồn cầu

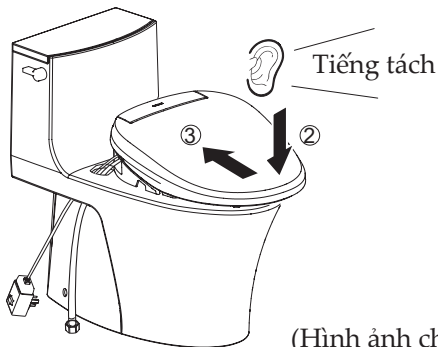
Cách lắp A
Dây bện



Cách lắp B
Ấn dây

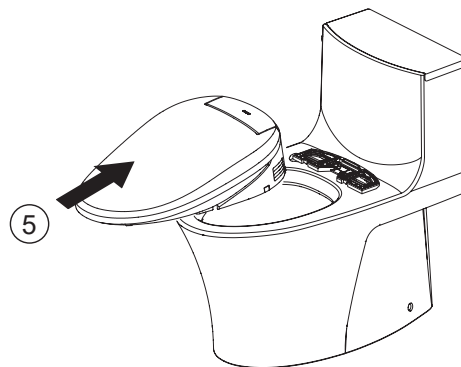
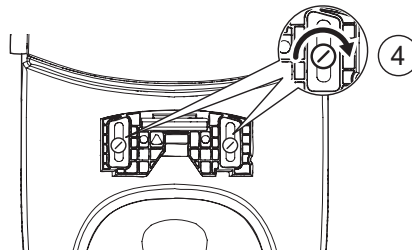
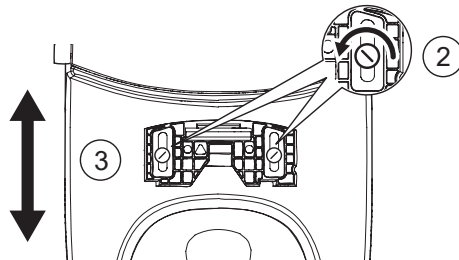
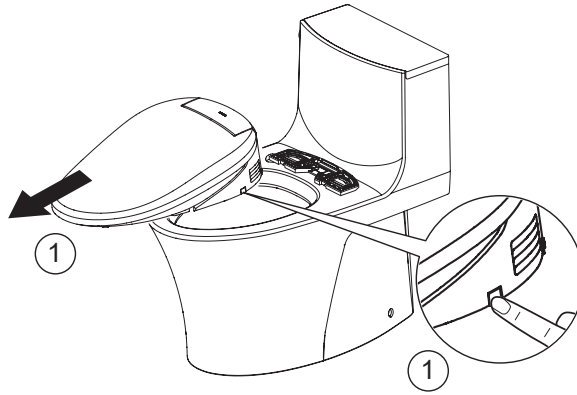


(Hình ảnh chỉ để tham khảo)



(Hình ảnh chỉ để tham khảo)

Điều chỉnh nắp bồn cầu

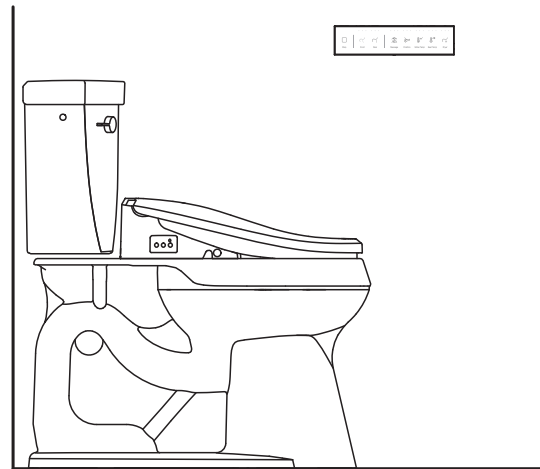
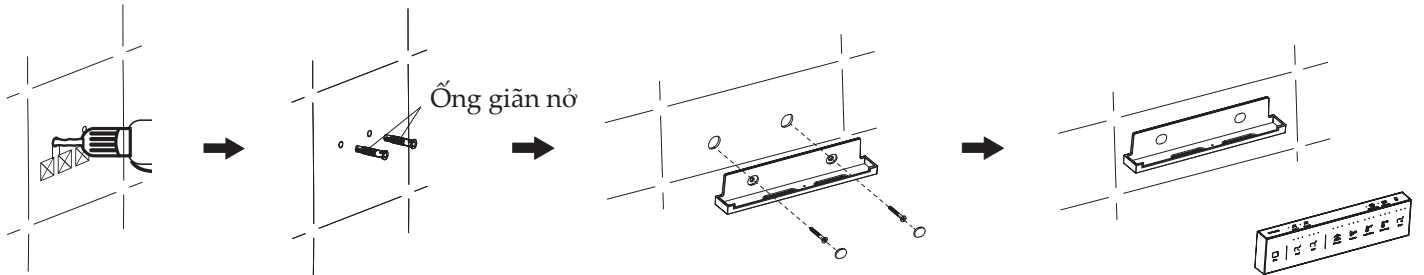


Lắp điều khiển từ xa

Lưu ý: Nếu tường để lắp đặt được làm bằng vật liệu đặc biệt (chẳng hạn như ván gỗ ép, ván gỗ, v.v.), phải áp dụng các phương pháp cố định thích hợp.

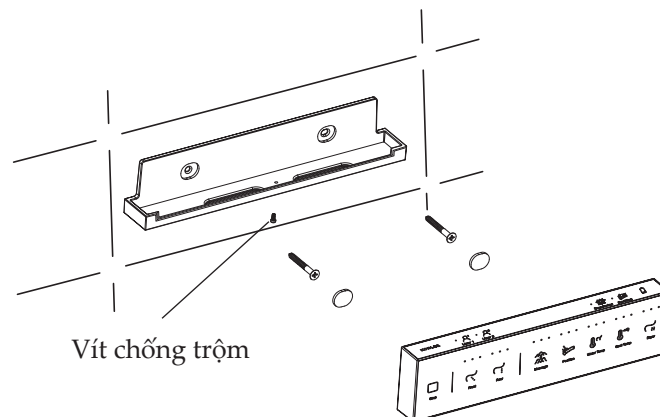
Lưu ý: Không lắp đặt điều khiển từ xa ở nơi dễ bị nước bắn vào.

1. Chọn vị trí lắp cho giá đỡ điều khiển từ xa sao cho có thể dễ dàng lấy khi ngồi trên bệ ngồi.
2. Khoan hai lỗ có độ sâu lớn hơn 45 mm trên tường bằng mũi khoan có đường kính 6 mm phù hợp với vị trí lỗ vít trên giá đỡ điều khiển từ xa, sau đó lắp ống giãn nở vào các lỗ.
3. Đặt giá đỡ lắp đặt trên lỗ cố định.
4. Cố định giá đỡ bằng vít và lắp.
5. Lắp các nắp vặn ren vào các vít.
6. Đặt điều khiển từ xa lên giá đỡ.



Lắp đặt chống mất trộm ở nơi công cộng:

Đặt điều khiển từ xa lên giá đỡ và vặn chặt các vít trong hình bên dưới.



Kết nối nguồn nước và nguồn điện

Quan trọng! Kết nối nguồn nước trước, sau đó mới đến điện.

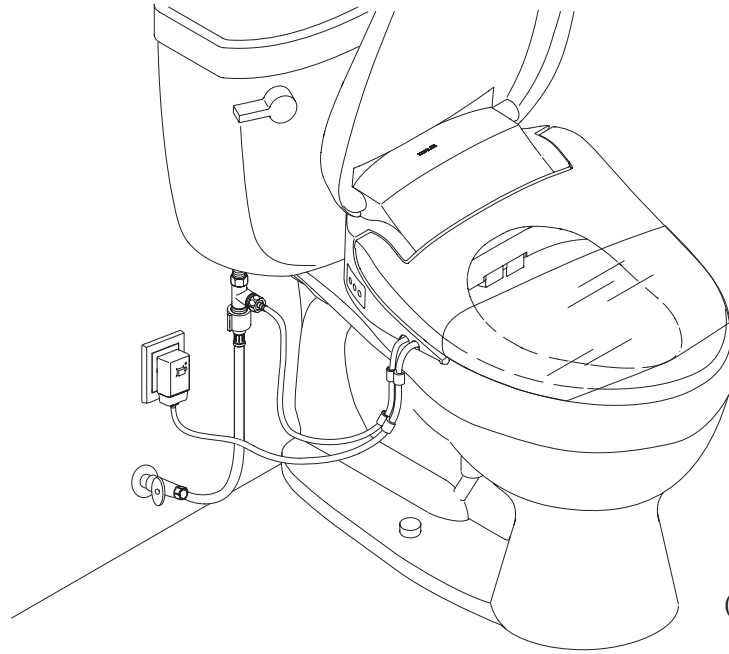
Quan trọng! Nguy cơ hư hỏng sản phẩm. Căn chỉnh cẩn thận ren của đường ống dẫn nước với ren của nắp bồn cầu. Không làm vỡ ren hoặc vặn khớp nối quá chặt. Để cố định khớp nối, dùng tay vặn chặt và dùng công cụ siết 1/4 vòng.

1. Kết nối trực tiếp khớp nối chữ T với nắp bồn cầu và đường ống dẫn nước.

Chú ý! Đối với hệ thống đường ống mới lắp đặt, trước khi nối dây dẫn nước vào với khớp nối hình chữ T, hệ thống phải xả nước trực tiếp trong vài giây để loại bỏ cát và chất bẩn trong đường ống.

2. Sử dụng dây được cung cấp để nối khớp nối hình chữ T và nắp bồn cầu.

Chú ý! Bắt buộc phải sử dụng cụm dây mới đi kèm với thiết bị. Không sử dụng lại dây cũ.



(Hình ảnh chỉ để tham khảo)

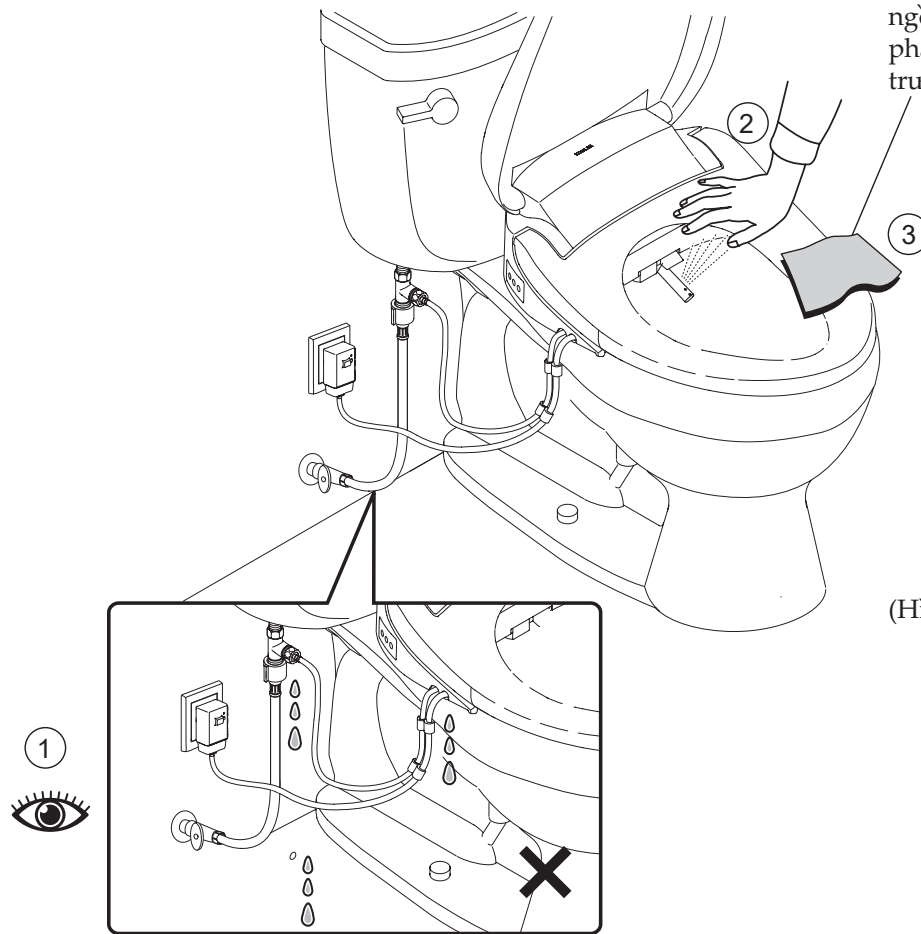
3. Vặn chặt tất cả các đầu nối.

4. Mở hệ thống cấp nước.

Chú ý! Đảm bảo súc rửa kỹ đường ống cấp nước để loại bỏ các tạp chất bám trên đường ống. Sử dụng nước máy có thể uống được làm nguồn nước. Không sử dụng nước công nghiệp, nước thải, nước biển.

Kiểm tra lắp đặt

Bệ ngồi được thiết kế để có chế độ phát hiện ngồi. Một chiếc khăn ướt sẽ được đặt ở bên phải của bệ ngồi ở vị trí 1/3 so với phần phía trước (khu vực cảm biến).



(Hình ảnh chỉ để tham khảo)

1. Cắm dây nguồn vào ổ cắm. Nấp bồn cầu phát ra một tiếng bíp ngắn, que rửa duỗi thẳng và co lại một lần, đèn đèn loé sáng cho đến khi quá trình khởi động hoàn tất.
Lưu ý: Hình ảnh phích cắm chỉ là sơ đồ. Đối với phích cắm của từng khu vực, hãy tham khảo MA TRẬN CẤU HÌNH.
2. TBật sản phẩm này tuân theo phần “CHUẨN BỊ TRƯỚC KHI VẬN HÀNH BAN ĐẦU” của Hướng dẫn dành cho chủ nhà.
3. Tiếp tục đọc phần “HƯỚNG DẪN SỬ DỤNG” của Hướng dẫn dành cho chủ nhà để kiểm tra các chức năng của sản phẩm này.

설치 전

1. 해당 지역의 모든 배관 및 건축 법규를 준수하십시오.
2. 제품에 연장 코드를 사용하지 마십시오.

경고 및 주의

경고! 감전, 화재 또는 부상의 위험이 있습니다.

GFCI(Ground-Fault Circuit-Interrupters) 또는 ELCB(Earth-Leakage Circuit-Breakers)로 보호되는 전용 전원 전압 및 주파수 회로에만 연결하십시오. 자세한 내용은 구성 매트릭스를 참조하십시오.

경고! 제품 손상 위험.

다른 모든 설치 단계가 완료되기 전에 전원 코드를 꽂지 마십시오.

주의! 제품 또는 재산 손실의 위험.

급수관 커넥터를 무리하게 당기거나 밀면 누수가 발생할 수 있습니다.

주의! 제품 손상 위험.

노즐에 무리한 힘을 가하면 제품이 파손될 수 있습니다.

주의! 제품 손상 위험.

인입관을 연결할 때 나사산 정렬에 주의하십시오. 제품 급수구 나사산이 파손되어 누수의 원인이 됩니다.

주목: T-밸브 등과 같이 Kohler Co.에서 권장하지 않는 부속품은 사용하지 마십시오.

주목: 실내에 제품을 설치하는 경우에는 급수 앵글 밸브를 가까운 위치에 설치해야 합니다. 비상 상황의 경우, 도구를 사용하지 않고 급수 밸브를 끌 수 있습니다. 그렇지 않으면 예기치 않은 고장이 고객에게 손실을 초래할 수 있습니다.

주목: 제품을 물에 담그거나 물이 튀는 곳에 담그지 마십시오.

주목: 습기가 많은 장소에 제품을 설치하지 마십시오.

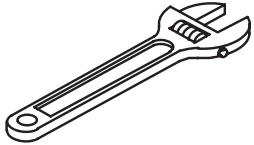
주목: 수도물만 연결할 수 있습니다.

주목:

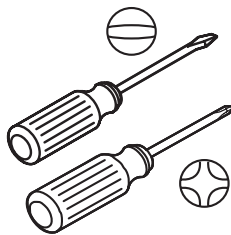
최소 수압 0.07MPa(동압)

최대 수압 0.74MPa.

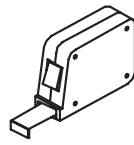
필요한 도구



조정 가능한
렌치



드라이버



측정
테이프

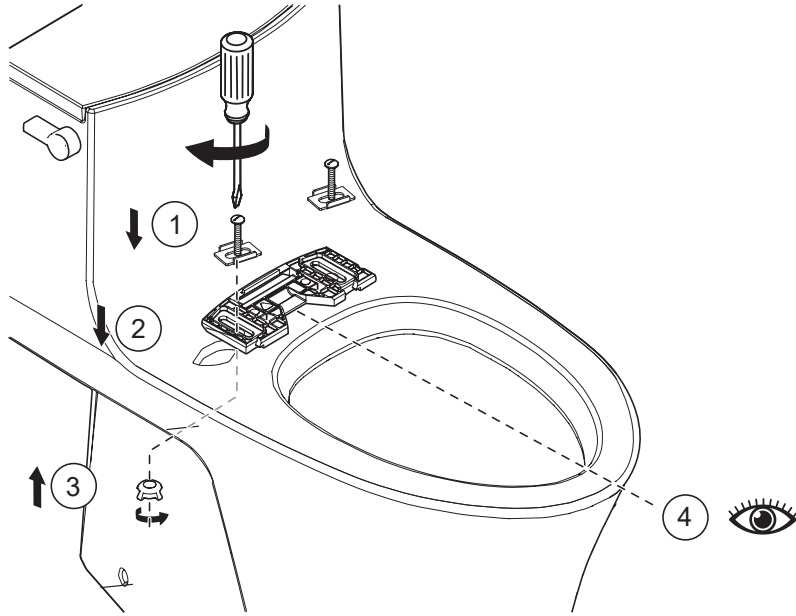


퍼커션 드릴



물수건

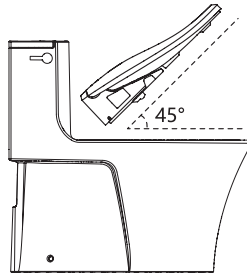
장착 플레이트 설치



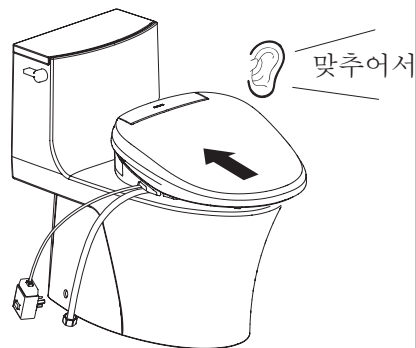
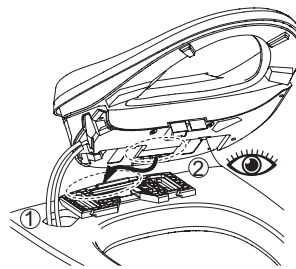
참고: 장착 플레이트를 조정합니다(필요에 따라 액세서리 키트에 제공된 다른 미끄럼 방지 스트립을 이미 붙어 있는 스트립에 붙입니다). 다양한 비데에 적합하여, 중간의 틈새를 균일하게 만들고 장착 플레이트를 쉽게 설치할 수 있도록 만듭니다.

비데 시트 설치

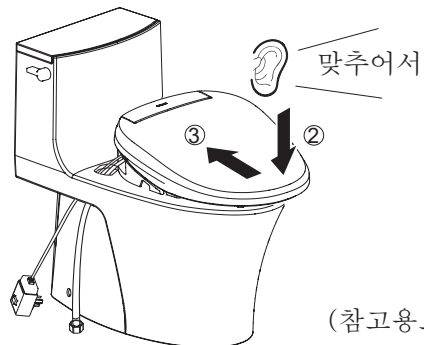
설치 방법 A
측면 코드



설치 방법 B
숨겨진 코드

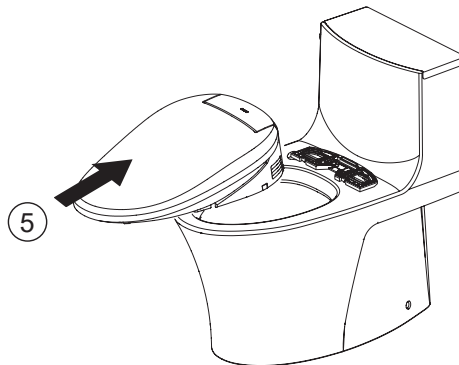
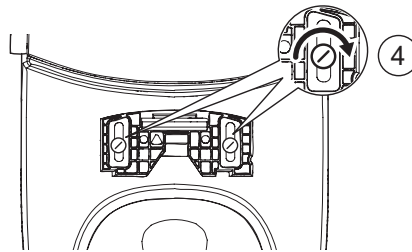
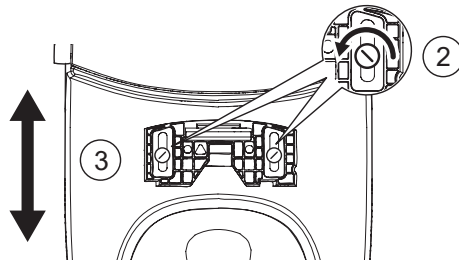
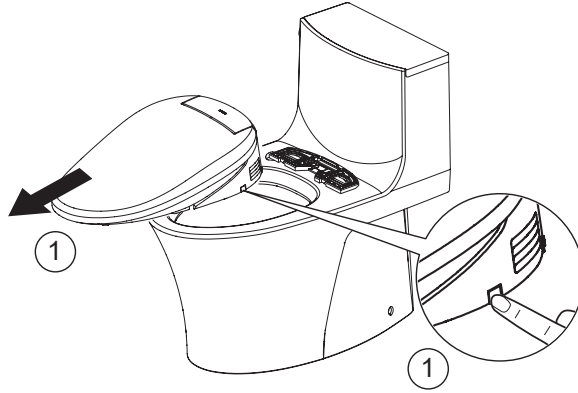


(참고용으로만 사진)



(참고용으로만 사진)

비데 시트 조정

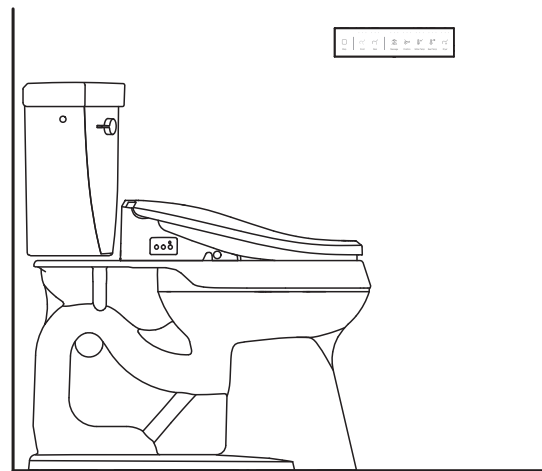
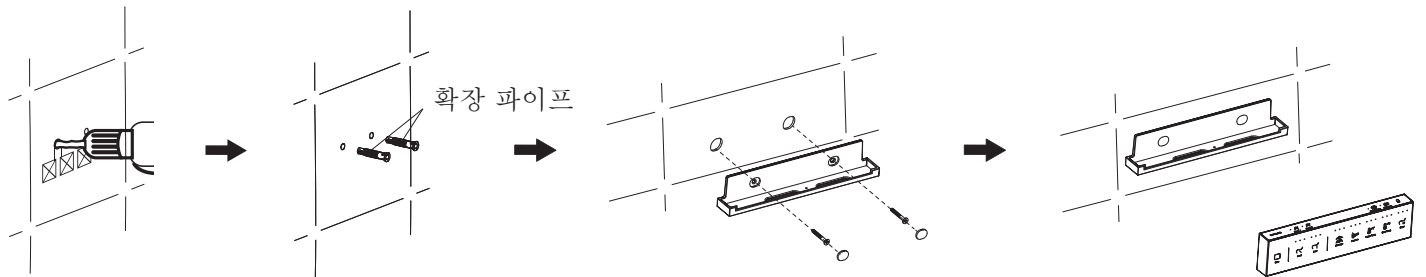


리모컨 설치

참고: 설치를 위한 벽이 특수 재료(우드 보드, 덴시티 보드 등)로 만들어진 경우 적절한 고정 방법을 채택해야 합니다.

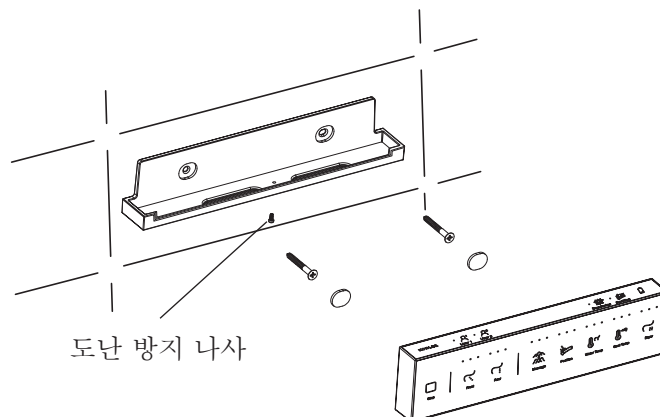
참고: 리모컨 설치 장소는 물이 쉽게 튀지 않아야 합니다.

1. 시트에 앉아 있는 동안 쉽게 접근할 수 있도록 리모컨 홀더의 장착 위치를 선택하십시오.
2. 리모컨 홀더의 나사 구멍 위치에 따라 직경 6mm 드릴로 벽에 깊이 45mm 이상의 구멍 2개를 뚫은 후 확장 튜브를 구멍에 설치합니다.
3. 고정 구멍에 설치 홀더를 놓습니다.
4. 홀더를 나사로 고정하여 설치합니다.
5. 나사에 나사 덮개를 설치합니다.
6. 홀더에 리모컨을 놓습니다.



공용 분실 방지 설치:

브래킷에 리모컨을 놓고 아래 그림과 같이 나사를 조입니다.



물과 전원 공급 장치 연결

중요! 먼저 물, 그 다음 전원을 연결합니다.

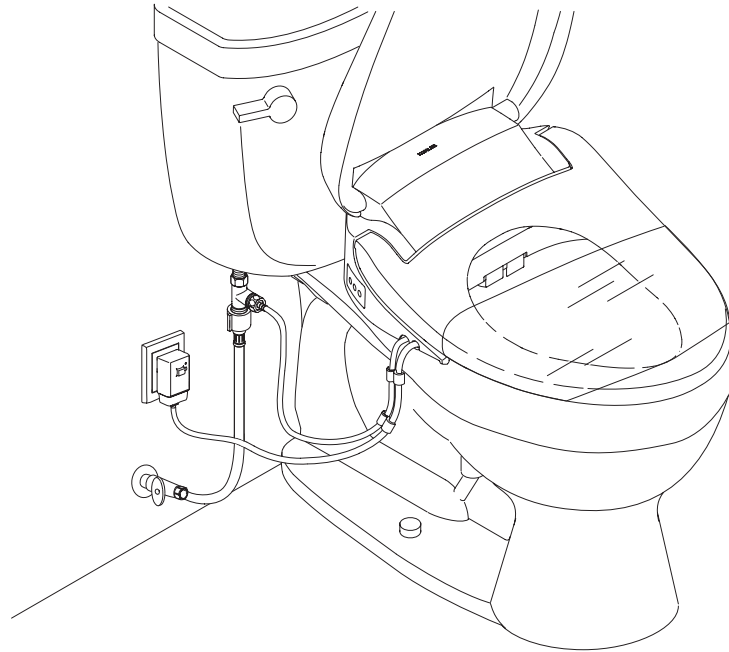
중요! 제품 손상 위험. 인입관의 나사산을 비데 시트의 나사산과 조심스럽게 맞춥니다. 나사산을 끊거나 조인트를 과도하게 조이지 마십시오. 조인트를 고정하려면 손으로 조이고 도구를 사용하여 1/4바퀴 돌립니다.

1. 티 조인트를 비데 시트 및 인입관에 직접 연결합니다.

주목! 새로 설치된 배관 시스템의 경우 인입 호스를 티 조인트에 연결하기 전에 배관에서 모래와 먼지를 제거하기 위해 시스템에서 몇 초 동안 물을 직접 배출해야 합니다.

2. 티 조인트와 비데 시트를 연결하기 위해 제공된 호스를 사용하십시오..

주목! 기기에 부착된 새 호스 어셈블리를 사용해야 합니다. 오래된 것을 재사용하지 마십시오.



(참고용으로만 사진)

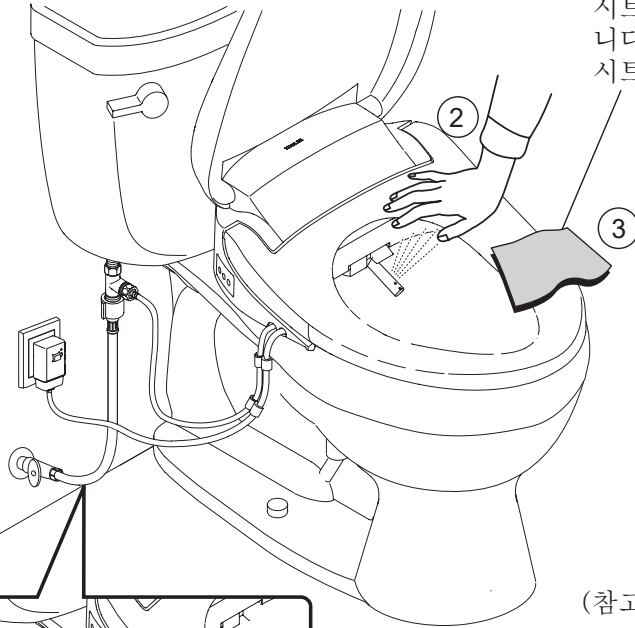
3. 모든 커넥터를 조입니다.

4. 급수 시스템을 엽니다.

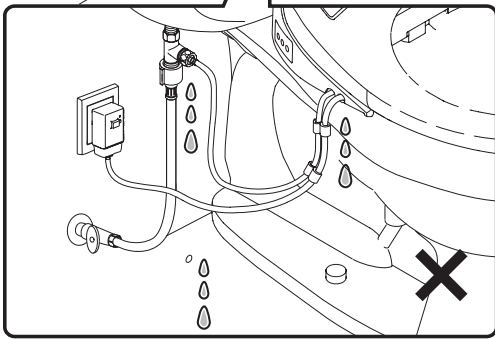
주목! 배관의 불순물을 제거하기 위해 급수관을 철저히 행구십시오. 마실 수 있는 수돗물을 수원으로 사용하지 마십시오. 공업용수, 폐수, 하수, 해수를 사용하지 마십시오.

설치 검사

시트는 착석 감지 모드가 되도록 설계되었습니다. 젖은 수건은 전면 끝(감지 영역)에서 시트의 1/3 지점오른쪽에 놓아야 합니다.



(참고용으로만 사진)



1. 전원 코드를 소켓에 꽂습니다. 비데 시트는 초기화가 완료될 때까지 짧은 경고음을 한 번 울리고 노즐을 한 번 꺼냈다 넣고, 야간 조명이 깜박입니다.
참고: 그림의 플러그는 개략도일 뿐입니다. 각 지역의 플러그에 대해서는 구성 매트릭스를 참조하십시오.
2. 주택 소유자 가이드의 “초기 작동 전 준비” 섹션에 따라본 제품을 켜십시오.
3. 주택 소유자 가이드의 “사용 가이드” 섹션을 계속해서 읽고 본 제품의 기능을 테스트하십시오.

