

## BEFORE YOU BEGIN

## 安装之前

- Please read these instructions carefully to familiarize yourself with the required tools, materials, and installation sequences. Follow the sections that pertain to your particular installation. This will help you avoid costly mistakes. In addition to proper installation, read all operating and safety instructions.
- All information in these instructions is based upon the latest product information available at the time of publication. Kohler China reserves the right to make changes in product characteristics, packaging, or availability at any time without notice.
- These instructions contain important care, cleaning, and warranty information-**please leave instructions for the consumer.**
- Before installation carefully inspect the new fixture for any signs of damage.
- The product complies with GB/T 24977-2024.
- 请仔细阅读本指引,以便熟悉所需工具、物料及安装程序。请遵照适用的章节来安装本产品,以免安装失当导致不必要的损失。除了有关正确的安装方法之外,还务请详阅所有操作及安全指引。
- 本指引所载之一切资料,均以印刷时所有之最新产品情况为基础,科勒中国保留权利随时更改产品特性、包装或供应情况,恕不另行通知。
- 说明书包括重要的安装、清洁及保养方面的内容,请把这些资料交给用户阅读,保管。
- 安装之前,仔细检查产品是否有损伤。
- 本产品符合 GB/T 24977-2024。

## TOOLS REQUIRED

## 所需工具



## ACCESSORIS LIST

## 附件清单

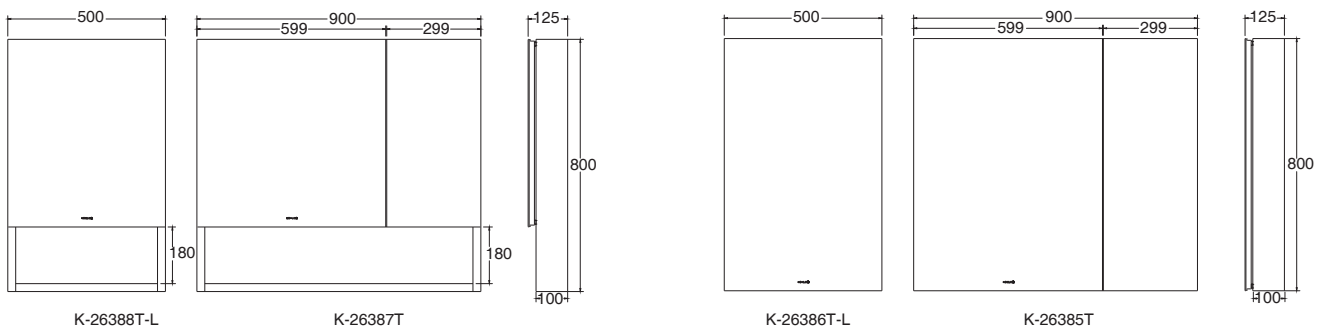


## ROUGHING-IN

## 尺寸图

Reference Value  
 参考值

UNIT: mm  
 单位: 毫米



Kohler reserves the right to change marked dimensions without prior notice.  
 科勒公司保留随时变更图中标示尺寸的权利, 无需另行通知。

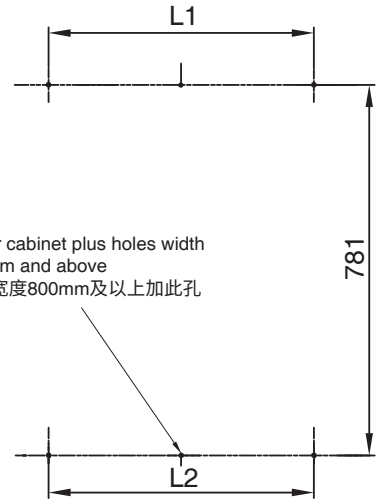
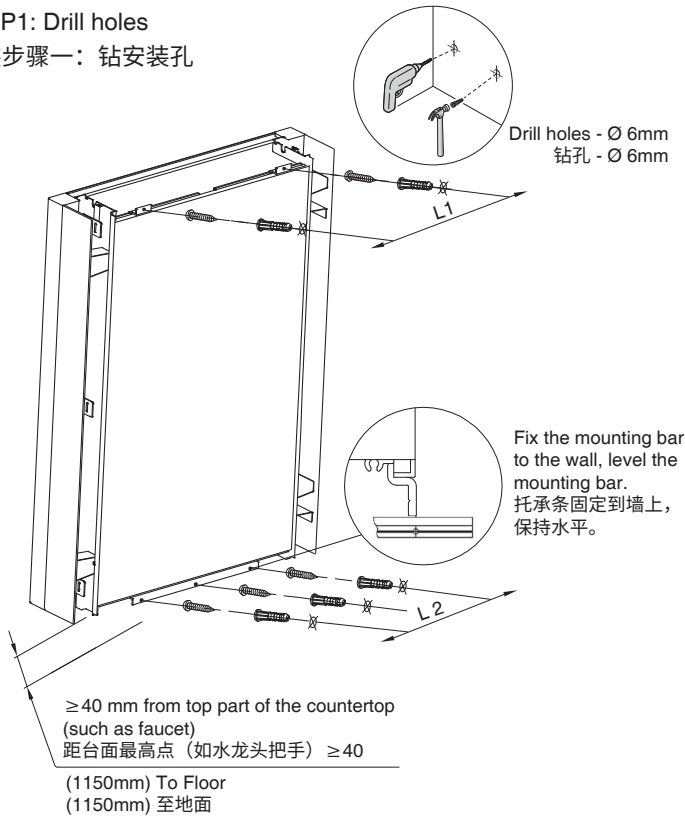
ZHONGSHAN KOHLER SHOWER CO., LTD. NO13-1, XINGYE ROAD, ZHONGSHAN TORCH DEVELOPMENT ZONE, ZHONGSHAN, GUANGDONG, CHINA POST CODE: 528437  
 中山科勒卫浴有限公司 广东省中山市中山火炬开发区兴业路 13-1 号 邮编:528437

Cabinet Installation

柜体安装

STEP1: Drill holes

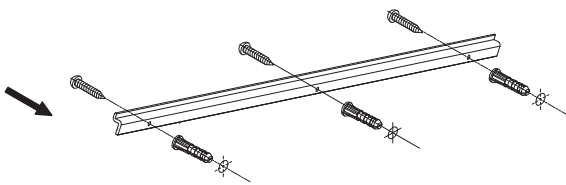
安装步骤一：钻安装孔



Model 型号	L1	L2
K-26386T/K-26388T	360	360
K-26385T/K-26387T	760	760

STEP2: Install the mounting bar. Place it level and fix it.

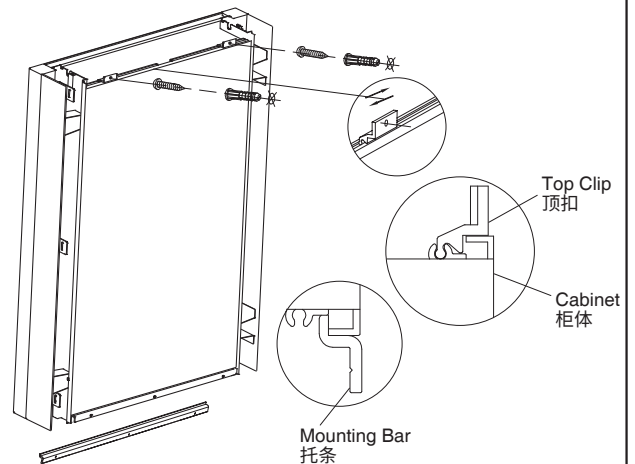
The number of screw holes is based on the actual product.  
安装步骤二：安装托条,水平放置并固定。螺钉孔数量以实物为准。



STEP3: Fix the cabinet

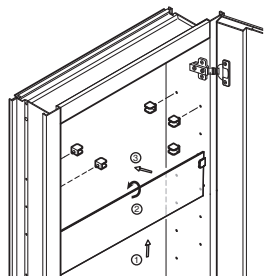
安装步骤三：固定柜体

1. Put the cabinet on the mounting bar.  
1. 将柜体放在托条上。
2. Slide the clips to align with the drilled holes. Fix with screws.  
2. 滑动顶扣, 对准上一步骤的钻孔后, 用螺钉固定。

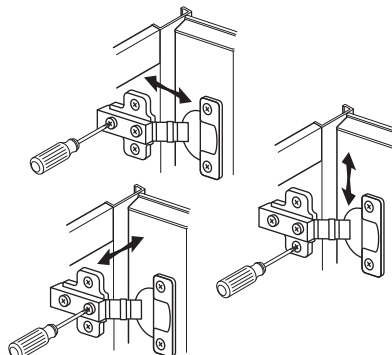


## Installation and Adjustment of Accessories 配件安装及调节

**STEP1: Install the clips. Insert the shelves between the clips. Insert the glass shelf into the snap-in pins, insert the glass shelf vertically upwards and then rotate to horizontal position.**  
 安装步骤一：安装夹子，将层板玻璃垂直插入层板夹，再旋转水平后推入另一排层板夹中。



**STEP2: If needed, align the door.**  
 安装步骤二：若有需要，可对柜门进行调整。



**STEP3: Adjust magnifying glass.**

安装步骤三：调整放大镜。

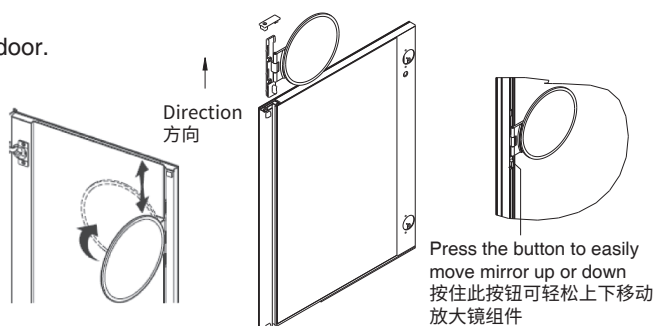
To adjust mirror height, slide up or down.

**IMPORTANT!** Rotate mirror in before closing the door.

上下滑动，以调节镜子高度。

**重要：**必须在柜门关闭前旋入镜子。

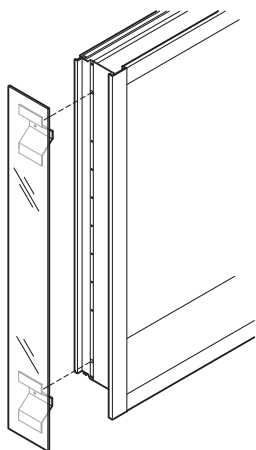
The mirror can be removed.  
 放大镜可以拆卸。



按住此按钮可轻松上下移动  
 放大镜组件

## Installation of Side Mirror 侧镜安装

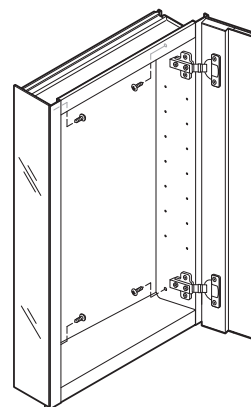
**STEP1: Align the brackets with the mounting holes.**  
 安装步骤一：将支架与安装孔对齐。



**STEP2: Secure the brackets with the round-headed short screws.**  
 安装步骤二：用圆头短螺钉将支架固定。

Note: When installed by cabinet splicing, side mirrors need not be installed on the cabinet side.

注意：拼柜安装时，拼柜侧不用安装侧镜。



## USER MAINTENANCE

**Warning! Risk of product damage.**

The bathroom shall be kept in good ventilation. Clean the cabinet with water and soft cloth. Do not use detergent containing abrasive and chemical substance.

## 日常维护

**警告！小心产品受损。**

卫生间尽量保持空气畅通，镜柜只能使用蘸有清水的湿布擦拭，勿使用含研磨剂及化学物质的清洁剂。