

BEFORE YOU BEGIN

安装之前

A. HOW TO USE THESE INSTRUCTIONS

- Please read these instructions carefully to familiarize yourself with the required tools, materials, and installation sequences. Follow the sections that pertain to your particular installation. This will help you avoid costly mistakes. In addition to proper installation, read all operating and safety instructions.
- All information in these instructions is based upon the latest product information available at the time of publication. Kohler China reserves the right to make changes in product characteristics, packaging, or availability at any time without notice.
- These instructions contain important care, cleaning, and warranty information - **please leave instructions for the consumer.**
- Fixture dimensions are nominal and conform to tolerances established by ASME Standards (A112.19.2-2018).
- The product complies with GB 6952-2015, GB 28377-2019.

A. 怎样使用本说明书

- 请仔细阅读本说明书，以便熟悉所需工具、材料及安装程序。请遵照相关章节进行安装，以避免由于安装不当而导致不必要的损失。除了有关部门正确的安装方法之外，还务请阅读所有操作及安全说明。
- 本说明书所含一切资料，均以印刷时所有的最新产品为准。科勒中国公司保留随时更改产品特性、包装或供应情况的权利，恕不另行通知。
- 本说明书也包含了有关护理、清洁及保养等重要资料 - 请交用户留存。
- 部件尺寸为标定值，误差符合美国ASME标准(A112.19.2-2018)。
- 本产品符合GB 6952-2015、GB 28377-2019。

B. NOTES

- Observe all local plumbing and building codes.
- A detachable cleaning filter screen device shall be installed at the water supply end, and the mesh number shall be 60-80 mesh.
- Shut off the water supply.
- Carefully inspect the new fixture for any sign of damage.
- Be very careful while handling vitreous china products.

B. 注意

- 遵守当地所有给排水及建筑规定。
- 需在供水端安装可拆卸清洗的过滤网装置，过滤网目数为60-80目为宜。
- 安装前请关闭水源。
- 安装前请小心检查小便器是否有损坏的迹象。
- 釉面陶瓷小便器须小心轻放，以免其破损和崩裂。

No.2 KOHLER ROAD, SANSHUI CENTRAL INDUSTRIAL PARK, LEPING TOWN, SANSHUI DIST., FOSHAN, GUANGDONG, PRC POST CODE: 528137
广东省佛山市三水区乐平镇三水中心工业园区科勒大道2号 邮编: 528137

8# MENGSHAN RD, ECONOMIC DEVELOPMENT ZONE OF HUANTAI, ZIBO, SHANDONG, CHINA POST CODE: 256410
山东省淄博市桓台经济开发区蒙山路8号 邮编: 256410

NO.1 KOHLER STREET, ECONOMIC DEVELOPMENT ZONE OF FAKU COUNTY, SHENYANG LIAONING PROVINCE, PRC POST CODE: 110400
辽宁省沈阳市法库经济开发区科勒大街1号 邮编: 110400

C. REQUIRED TOOLS AND MATERIALS

- Open end/adjustable wrenches
- Tape measure
- Basin wrench
- Pipe wrench
- Square
- Level
- Pliers
- Socket wrench with sockets
- Screw driver
- Seal tape
- Drill
- Sealant

C. 所需工具及材料

- 开口/活动扳钳
- 卷尺
- 梅花扳钳
- 管扳手
- 直角尺
- 水平尺
- 老虎钳
- 管钳子
- 十字螺丝刀
- 生料带
- 冲击钻
- 密封胶

SPECIFICATIONS

规格

Model	K-28080T-0 (2.5L)
	K-28080T-Y-0 (0.5L)
	K-28081T-0 (2.5L)
	K-28081T-Y-0 (0.5L)
Power	DC power unit 2 "AAA" size alkaline batteries K-33894T-NA (Sold separately)
	AC/DC transformer input AC 220V 50/60HZ K-16306T-NA (Sold separately)
Liter per flushing	Water pressure at 0.18~0.55 MPa: Average no more than 2.5L Water pressure at 0.1 MPa: no more than 2.5L
	Water pressure at 0.18~0.55 MPa: Average no more than 0.5L Water pressure at 0.1 MPa: no more than 0.5L
Temperature	Environmental temperature: 1 to 55°C
Starting pressure	0.05Mpa~0.86MPa
Sensing distance	70 cm away from sensor
Testing time	About 5 seconds (Automatic adjustment)
Flushing mode	Dual flushing (2.5L)
	Flushing after used (0.5L)

Note: the sensing distance in the table is measured with a 30x30cm board as the reflecting surface.

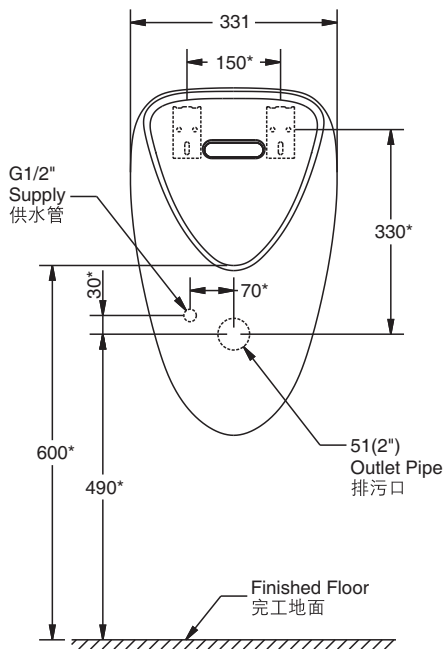
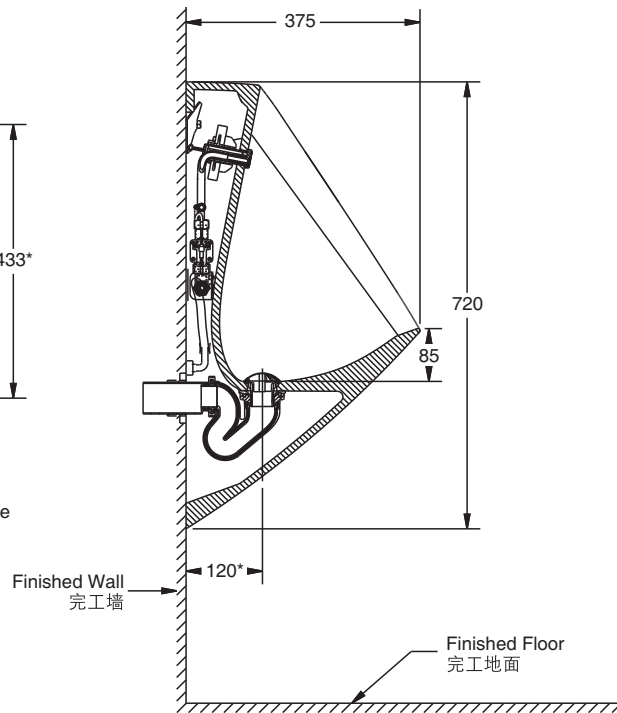
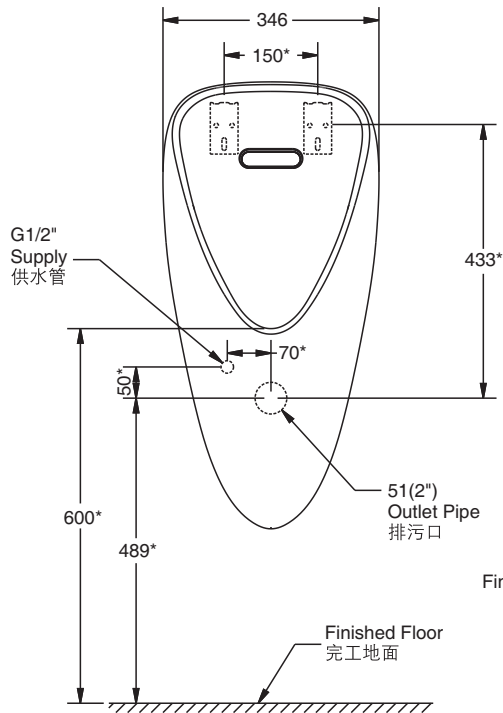
型号	K-28080T-0 (2.5L)
	K-28080T-Y-0 (0.5L)
	K-28081T-0 (2.5L)
	K-28081T-Y-0 (0.5L)
电源	直流电池盒 2节7号碱性电池 (AAA x 4) K-33894T-NA (需另行购买)
	交流电池盒 输入电压 220V AC 50/60HZ K-16306T-NA (需另行购买)
冲洗用水量	水压为 0.18~0.55 Mpa, 平均不大于 2.5L 水压为 0.1 Mpa, 不大于2.5L
	水压为 0.18~0.55 Mpa, 平均不大于 0.5L 水压为 0.1 Mpa, 不大于0.5L
使用温度	环境温度1~55°C
启动压力	0.05Mpa~0.86MPa
感应范围	距感应窗口70cm以内
感应时间	约5秒 (自动调节)
冲水方式	两段出水 (2.5L)
	使用后冲洗 (0.5L)

注: 表中感应范围距离的测定是以30x30 cm²平板为反射平面。

Reference Value
参考值

K-28080T-*

Unit:mm
单位:毫米



K-28081T-*

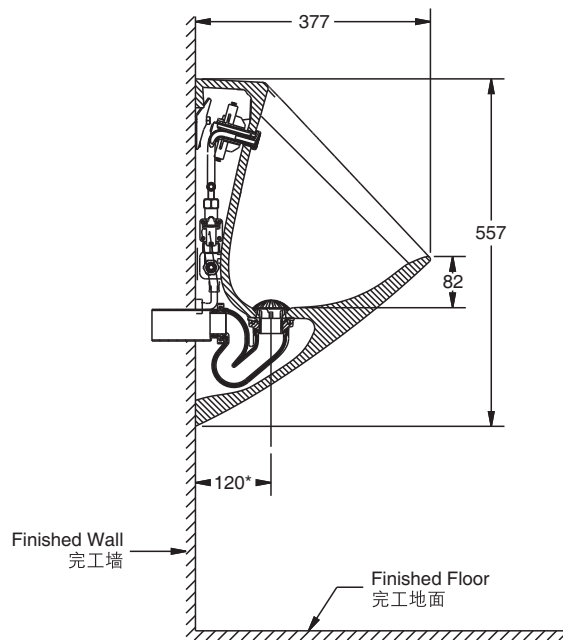


Fig.1
图1

Kohler reserves the right to change marked dimensions without prior notice.
科勒公司保留随时变更图中标示尺寸的权利，无需另行通知。

Notice: a. The dimensions above are just for reference.
b. * Recommended dimensions for installation only, please adjust according to actual situation.
c. All dimensions appearing in this instructions follow the above principles.

注意: a. 以上尺寸仅供参考。
b. *仅为建议安装尺寸，客户可根据实际情况调整。
c. 说明书中出现的所有尺寸均遵循以上原则。

A. INSTALL OUTLET CONNECTION

(See Fig.2)

Ascertain the position for outlet connection according to rough-in dimensions.

Connect the outlet connection with the trap way. Insert the gasket into the trap way as shown. Apply sealant on outlet pipe, connect the outlet connection with outlet pipe.

NOTE: Fig.2 may be different for different outlet connections.

A. 安装排水接口

(请参阅图2)

根据安装尺寸示意图确定排水接口安装位置。

将排水接口和排水管组件连接在一起，按图示把橡胶密封圈插入到排水组件，然后在排水接口涂抹密封胶，将排水接口连接到排水管。

注意：根据选用排水接口的不同，安装图示2可能不同。

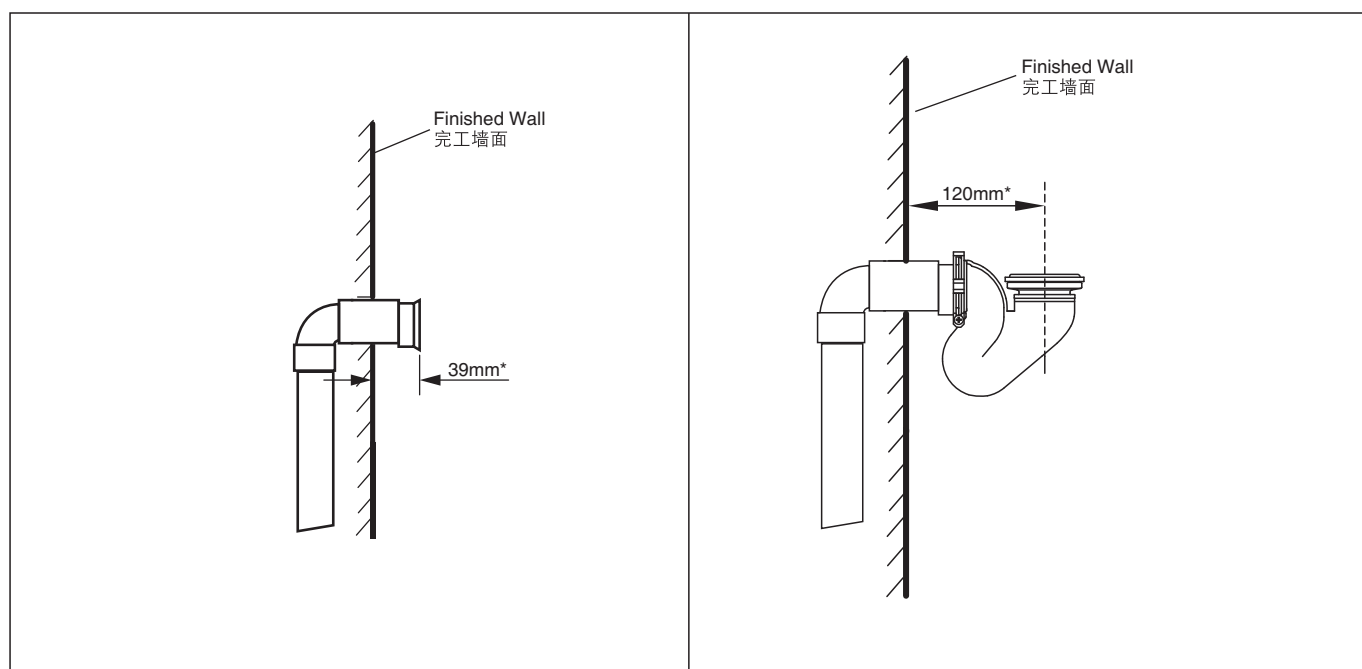
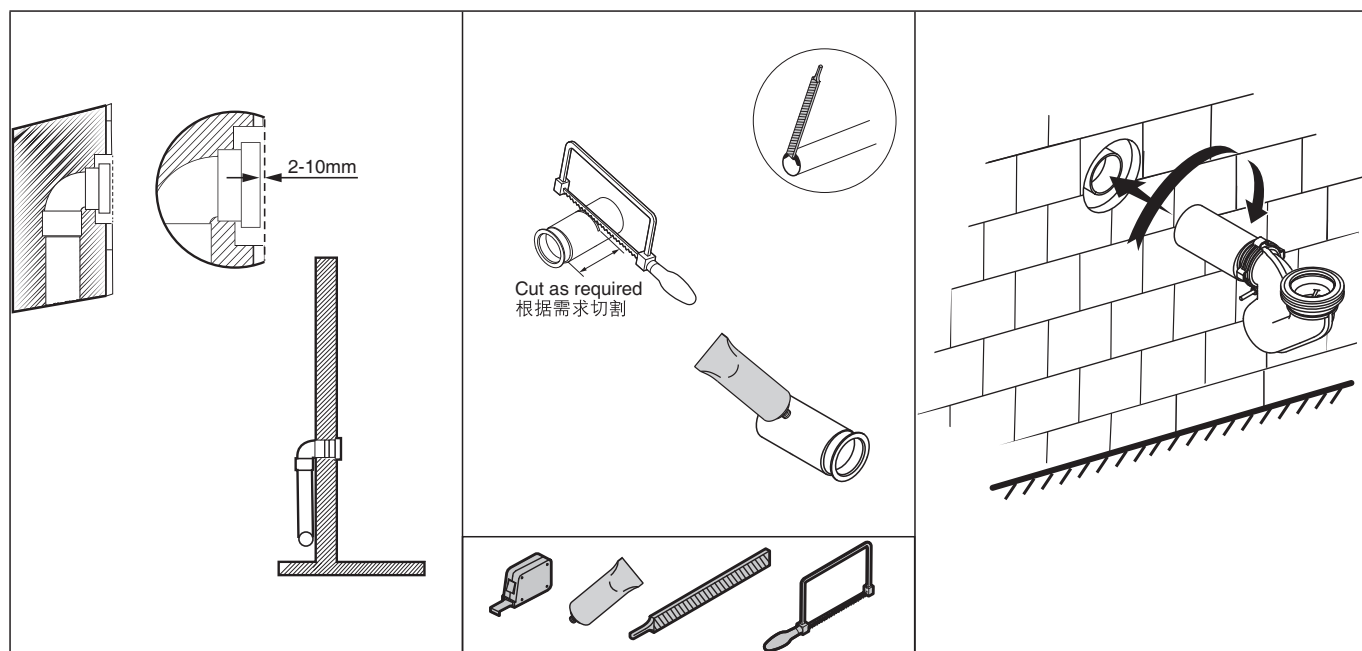


Fig.2
图2

B. INSTALL HOOK

(See Fig.3)

Drill mounting holes on the wall and install hook. Fix hook on the wall by tightening screws.

B. 安装挂钩

请参阅图3

按图中的安装尺寸在安装墙面打六个安装孔，将挂钩安装槽对准安装孔，将塑料套管插入安装孔，用螺丝将挂钩紧固在安装墙面。

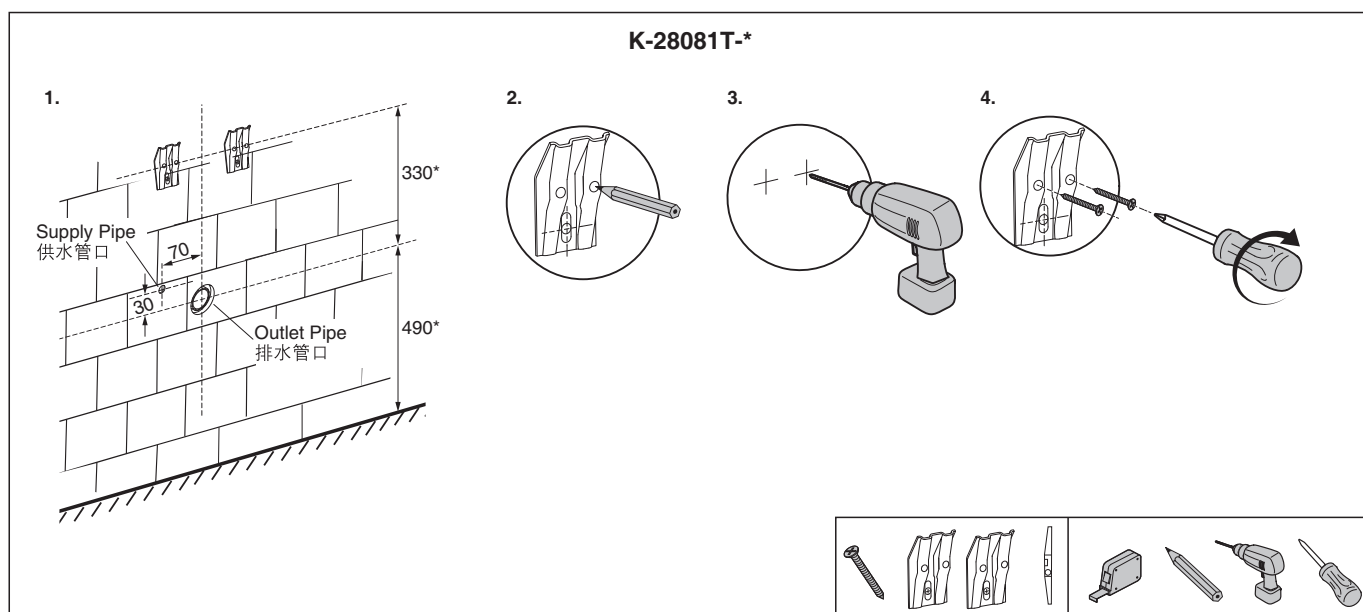
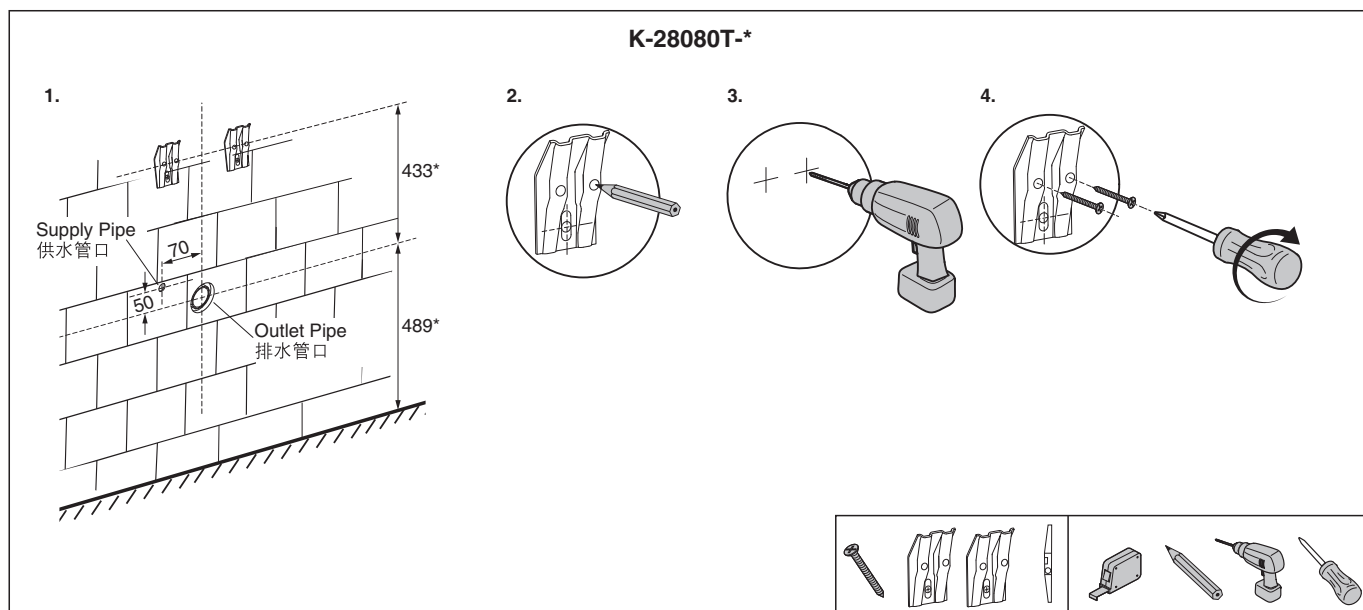


Fig.3
图3

C. POWER CONNECTION

Use DC or AC power unit (Sold separately) as desired. Refer to the installation instructions below.

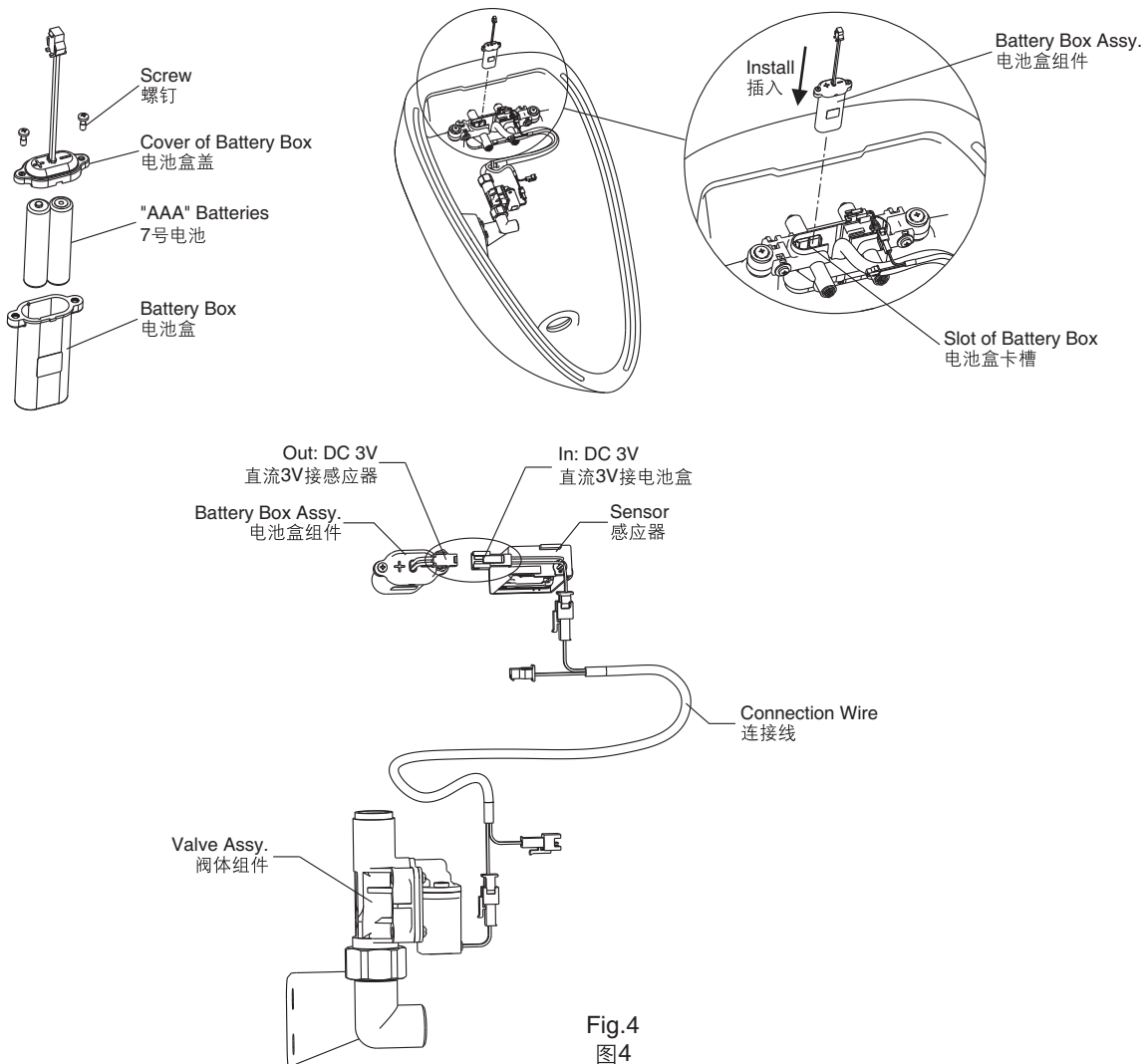
Purchase Kohler DC or AC power unit according to the following:

DC power unit	K-33894T-NA	Battery box assy.
AC power unit	K-16306T-NA	AC power unit

Use the Kohler specified AC or DC power supply. Any product damage or loss caused using non-specified power supply shall be borne by the user.

Install DC Power Unit

1. Take out battery box assy. and loosen the screws. Place 2 AAA batteries into the battery case according to negative and positive electrode marks on the battery case cover. Tighten the screws on the battery case cover.
NOTE: do not mistake the battery electrodes, and do not use the new and used batteries together.
2. Then install the battery box into the slot of battery box in the nozzle assembly. Check whether the circuit is connected incorrectly as shown in the below figure. Do not connect the connector between the battery box and the sensor for the time being.



C. 连接电源

客户根据需求可选配直流电源或交流电源（需另行购买），以下有分别对直流电源盒交流电源的安装说明。

按以下型号购买科勒直流电源或交流电源：

直流电源	K-33894T-NA	电池盒组件
交流电源	K-16306T-NA	交流电源盒

请使用科勒指定的原装直流电源或交流电源，如因使用非指定电源所引起的产品故障及损失，由用户自行承担。

安装直流电源

1. 取出电池盒组件（直流电源）K-33894T-NA，旋松螺钉，按照电池盒盖上的正负极标示装入2节7号电池，锁紧电池盒盖的螺丝。
注意：电池的正负极不能装反，新旧电池不能混用。
2. 然后将电池盒插入喷嘴内的卡槽内，按图示检测电路是否接错，电池盒与感应器的接插件暂时不连接。

Fig.4
图4

Install AC Power Unit

Note: Before installation, the electrical bushing shall be embedded into wall according to the figure below, and the 220V AC wire shall be connected.



CAUTION:

- Do not connect 220V AC power supply to DC wiring terminal.
- Do not damage the covering of AC power unit or remove screws to avoid leakage.
- Outlet of AC power unit upward prohibited.
- One AC power unit can supply one sensors at most.
- During installation, please confirm the AC power is shut off.
- Please confirm the AC power supply and water supply should be shut off before maintaining the products with AC power related.

Installation steps:

- Connect the AC input end of the AC power box with 220V AC wire (embedded in advance).
- Fix the AC power box and to the wall according to the figure below, fix it with self-contained back glue or expansion screw.
- Connect the white connector at the input end of the sensor with the connector of the same color on the connecting wire.

安装交流电源

注意: 安装前需按下图预埋安装好电工套管并接通220V交流电线。



警告:

- 禁止将220V交流电源接入直直接线端。
- 安装时严禁损伤交流电源盒外壳或移开交流电源盒盖螺丝。
- 禁止将交流电源盒出线朝上安装。
- 一个交流电源盒可连接一个感应器。
- 安装时需切断交流电，不要向交流电源盒供电。
- 维修时必须断开交流电源开关并关闭水源。

安装步骤:

- 将交流电源盒交流电输入端连接220V交流电线(提前预埋好)。
- 将交流电源盒和按图5位置固定到墙上，使用自带背胶或膨胀螺丝固定。
- 将感应器输入端白色接插件与连接线上相同颜色的接插件连接。

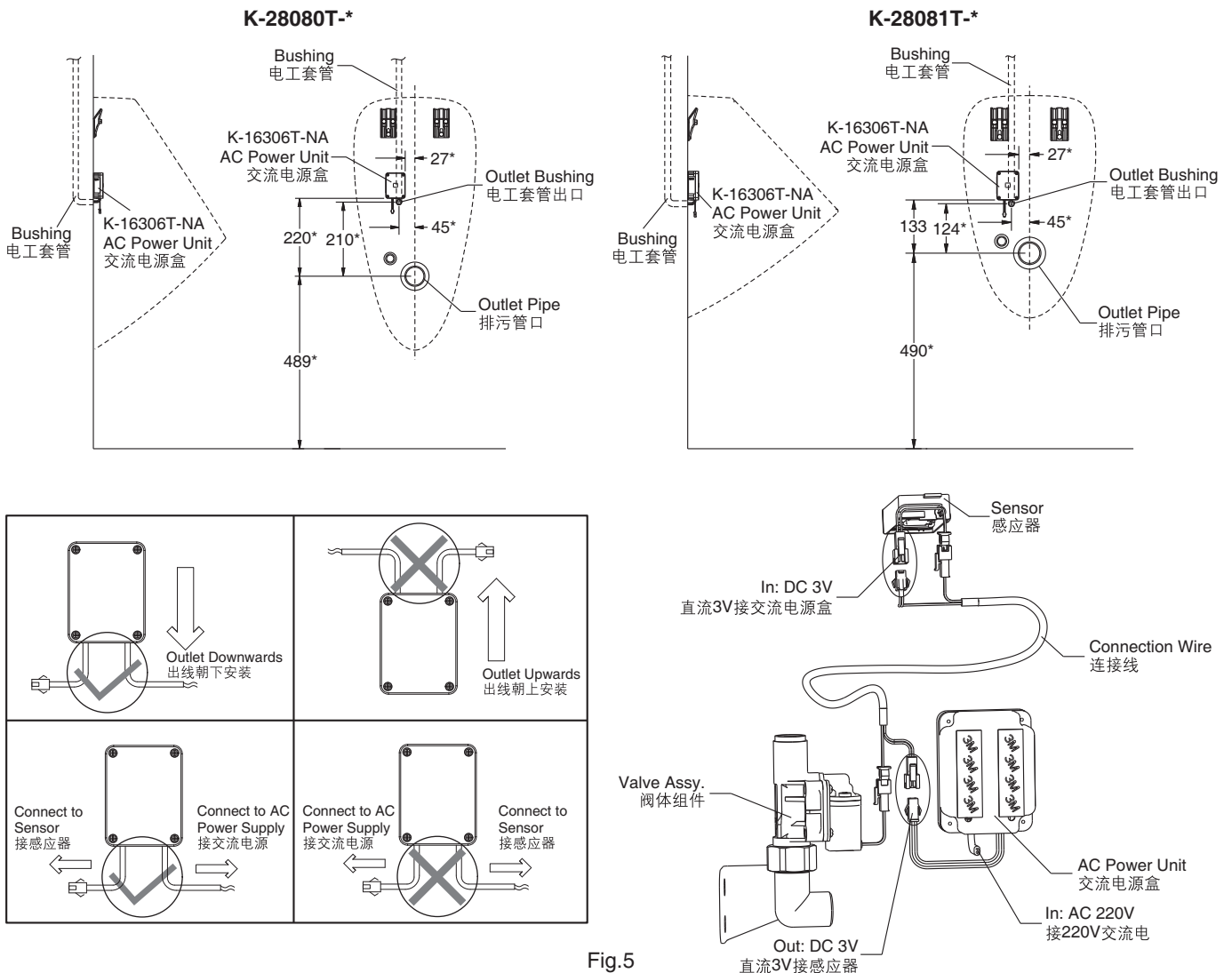


Fig.5
图5

D. INSTALL INLET PIPE

As show, install the filter at the inlet of the flush valve, and connect the inlet hose.

D. 安装进水管

如图所示，在阀体进口端依次装入滤网和进水软管。

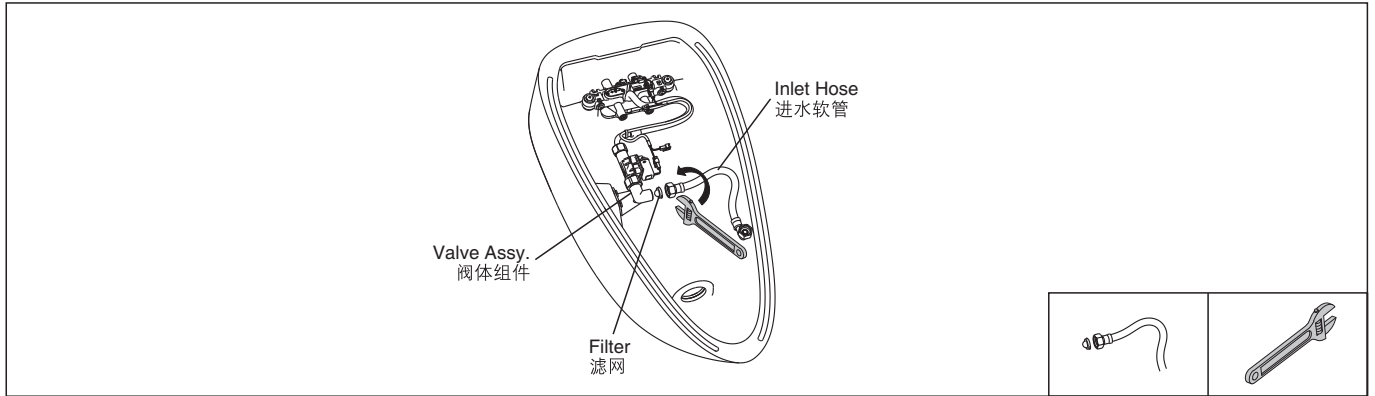


Fig.6
图6

E. INSTALL URINAL

When using DC power unit, follow the below steps:

1. Lift the urinal close to the wall installation position.
2. Connect the inlet hose to the water supply connector on the wall.
3. Align the installation slot on the back of the urinal with the hook, align the center of S-trap with the waste hole in urinal, and then fix the urinal on the hook.

E. 安装小便器

使用直流电源时，按以下步骤：

1. 将小便器提起并靠近墙面安装位置。
2. 将进水软管连接到墙上供水管接头。
3. 小便器背部安装槽对准挂钩，同时排污管上接口与小便器排污孔中心对齐，然后将小便器挂到挂钩上。

Warning: Before installing the urinal, drain some water from the water supply pipe to clean the impurities in the water supply pipe, otherwise the impurities in the water supply pipe are easy to block the valve. Be sure to turn off the water source during installation.

警告：安装小便器前，供水管需排放一些水，将供水管内的杂质排放干净，否则供水管中杂质易阻塞阀体。安装时务必关闭水源。

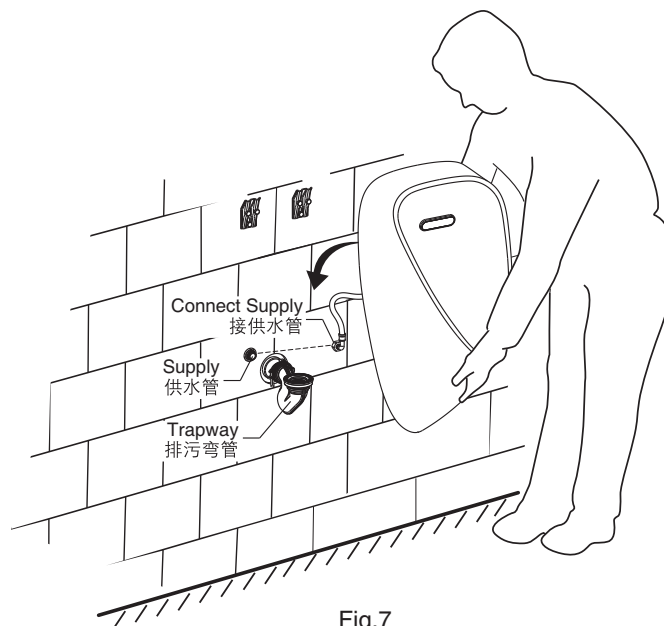


Fig.7
图7

4. Use the nozzle pulling tool to pull out the nozzle.
5. Connect the battery box connector with the white connector of the same color as the sensor.
6. Push the nozzle back into the urinal.

4. 使用喷头拔出工具拔出喷头。
5. 将电池盒接插件与感应器相同颜色白色接插件连接。
6. 将喷嘴重新插入到小便器内。

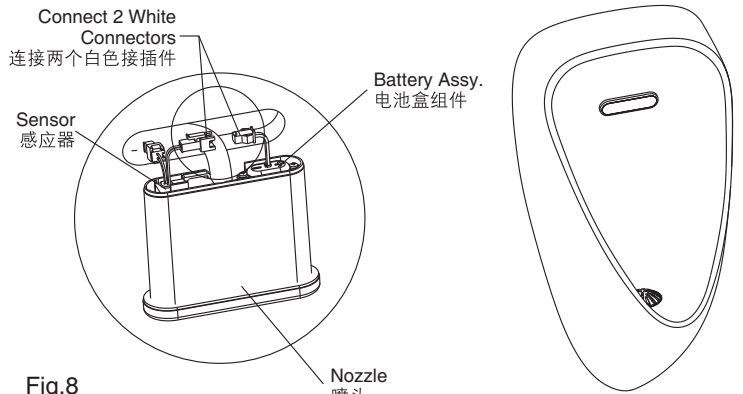
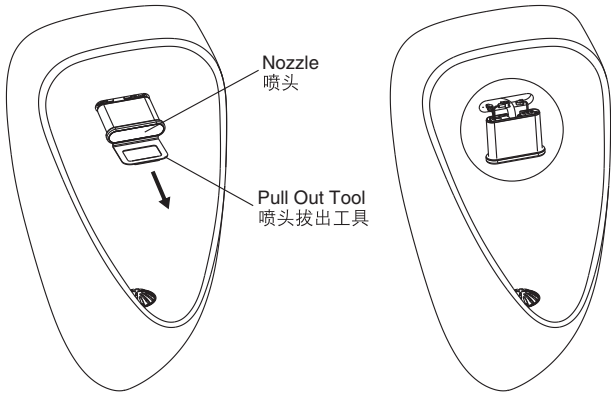


Fig.8
图8

When using DC power unit, follow the below steps:

使用直流电源时，按以下步骤：

1. Lift the urinal close to the wall installation position.
2. Connect the inlet hose to the water supply connector on the wall.
3. Connect the input white connector at the bottom of the connection wire with the DC output white connector of the AC power unit on the wall.
4. Align the installation slot on the back of the urinal with the hook, align the center of S-trap with the waste hole in urinal, and then fix the urinal on the hook.

1. 将小便器提起靠近墙面安装位置。
2. 将进水软管连接到墙上供水管接头。
3. 将连接线底部输入端白色接插件与墙上的交流电源盒直流输出端白色接插件连接。
4. 小便器背部安装槽对准挂钩，同时排污管上接口与小便器排污孔中心对齐，然后将小便器挂到挂钩上。

Warning:

警告：

- a. Before installing the urinal, drain some water from the water supply pipe to clean the impurities in the water supply pipe, otherwise the impurities in the water supply pipe are easy to block the valve.
- b. Be sure to turn off the water source during installation.
- c. When connecting the wire connector, please put the urinal close to the wall as far as possible and do not pull the wire off. When the urinal needs to be removed for maintenance, please lift the urinal and move it away for a small distance, disconnect the connector, and then move the urinal.

- a. 安装小便器前，供水管需排放一些水，将供水管内的杂质排放干净，否则供水管中杂质易阻塞阀体。
- b. 安装时务必关闭水源。
- c. 连接电线接插件时请将小便器尽量贴近墙面，不要将电线拽断。维修需要拆下小便器时请先将小便器提起挪开较小距离，将交流电源接插件断开再挪开小便器。

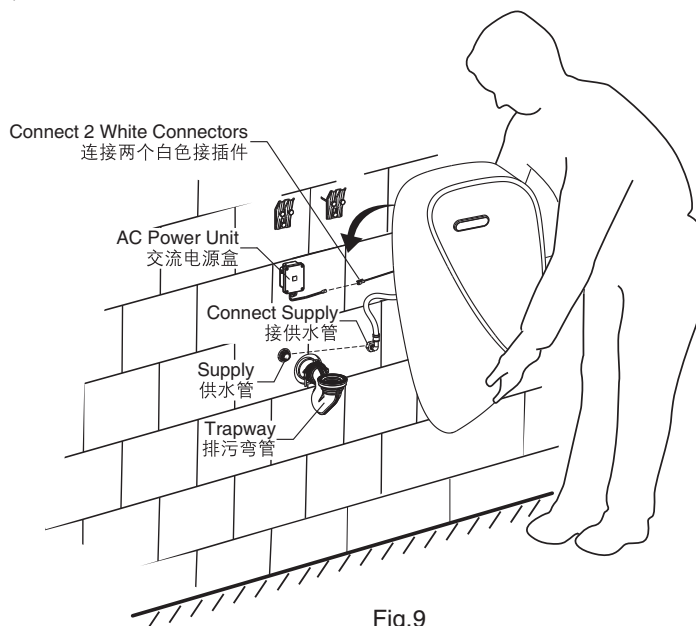


Fig.9
图9

F. INSTALL JOINS AND STRAINER

As shown in the figure, place the sealing ring on the joint, tighten the joint with the attached tool, and then fix the strainer on the joint.

Note: soak the seal washer in water for 2 seconds before installation for lubrication or apply lubricating oil to the seal washer.

F. 安装接头和滤网

如图所示，将密封圈放到接头上，用附带工具拧紧接头，然后将滤网固定在接头上。

注意：安装前将密封圈在水中浸泡2秒钟，或将密封涂抹润滑油，以便润滑。

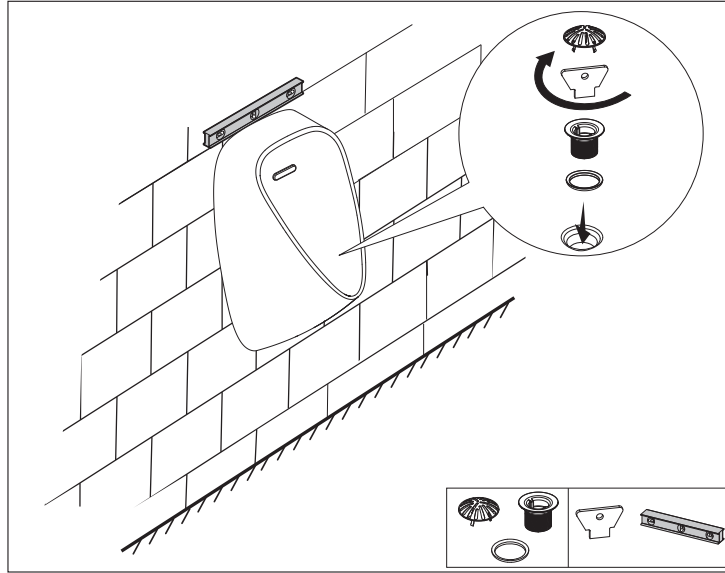


Fig.10
图10

USER'S GUIDE

Notice: The first 10 minutes with power is the standby time for adjusting sensing distance. Persons or subjects should avoid standing before the sensor. The sensor will not flush during.

Deodorizing Flushing

The urinal will take a flush automatically when it's used 3 or 4 times in 2 minutes.

使用说明

注意：刚通电10分钟内为自动调节感应范围的待机状态，感应器前方避免有人站立或有其他物体。在该时间内感应器不冲水。

防臭冲洗

当2分钟内连续3-4人以上使用时，小便器自动冲洗一次。

Replacement of Batteries

电池更换

When the batteries run out, please remove the Battery Box Assembly by following the battery installation steps and then replace the batteries.

当电池耗尽时，参照电池安装步骤，取下电池盒组件，并更换电池。

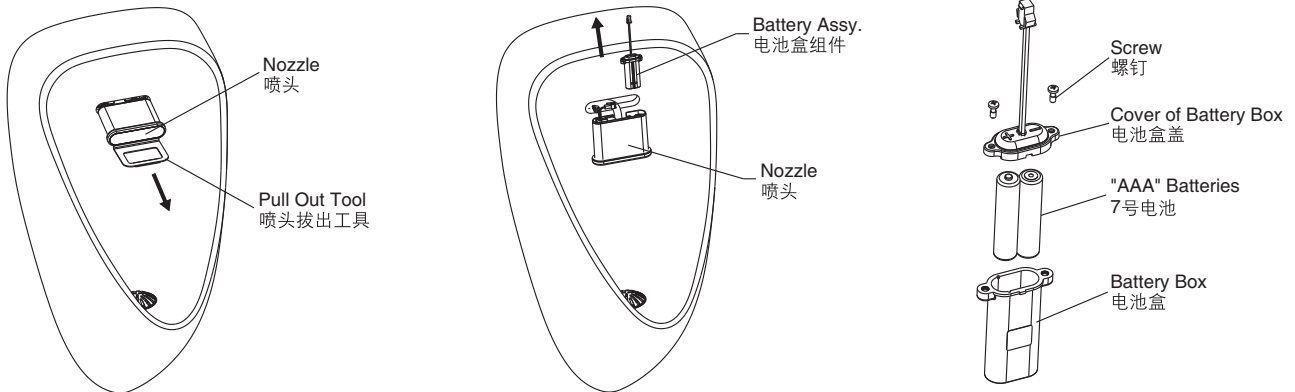


Fig.11
图11

MAINTENANCE

维护保养

Clean the Filter Screen

清洗过滤装置

If the flushing volume declines sharply after installation or used for a long time with no cause from water pressure, the filter may need a wash. Please operate as following steps: Remove the urinal, unscrew the inlet hose from the valve assembly, take out the filter, clean the filter and then reinstall it. Reinstall the urinal according to the steps.

初装或使用较长时间后，如发现出水量明显变小，而非水压原因，可进行以下操作：

拆下小便器，从阀体上拧下进水管，取出滤网，刷洗干净后重新装入，按照步骤重新装上小便器。

- Caution:**
- Turn off the water supply and power supply before cleaning the filter.
 - Avoid damaging or losing the filter during cleaning.

- 警告:**
- 清洗前，请先关闭水源，切断电源。
 - 清洗滤网过程中防止滤网变形损坏或丢失。

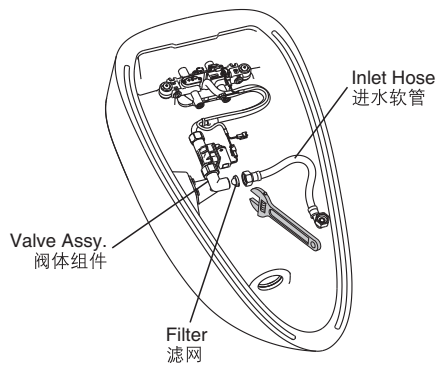


Fig.12
图12

Care & Clean

清洁保养

Keep the sensing window clean. Wipe with soft cloth and mild cleaner.

保持感应窗口清洁，可用蘸有中性清洁剂的软布擦洗。

- Notice:**
- Do not use dust-removing powder, abrasive powder or cleaner containing oil, acid or alkaline ingredient.
 - Do not spray air-refresher, disinfectant, or other deodorizing, cleaning solvent directly into the sensing window.
 - Keep wire away from water.
 - Don't attack the sensor window.

- 注意:**
- 禁止使用去污粉、研磨粉及油类、酸性类、碱性类清洁剂。
 - 禁止直接对感应窗口喷洒空气清新剂、消毒液或其他除臭、清洁类有机溶剂。
 - 避免水直接接触电线接插件。
 - 勿撞击感应窗口。

TROUBLESHOOTING

Please make following checks before repair:

Symptoms	Probable causes	Corrective actions
No flushing (Indicator not flashing).	1. No power or mistake connected. 2. There is an object within the sensing distance. 3. The sensing window needs cleaning.	1. Check the power connect. 2. Remove the object . 3. Clean the window.
No flushing or poor flushing while the indicator can flash.	1. Still in the waiting status. 2. Adjusting bolt not fully open 3. Low water pressure. 4. Filter is obstructed. 5. The connector is not connected well.	1. Wait for 10 minutes. 2. Open the adjusting bolt. 3. Improve water supply. 4. Clean the filter. 5. Check the connector.
Keep flushing indicator not flashing.	1. The small hole of valve core is blocked. 2. The filter of valve core is blocked.	1. Clean the small hole of valve core with thin steel wire. 2. Wash the filter of valve core with a brush.
Battery indicating light keeps flashing and no flushing.	Out of electricity.	Replace batteries.

If the trouble remains after above-mentioned actions are taken, please contact with us via distributor.

简单故障排除

请在委托修理前做以下检查:

现象	可能原因	处理方法
不出水 (感应指示灯不亮)	1. 无电源或接线有误 2. 感应范围内有其它物体一直被感应 3. 感应窗口较脏	1. 检查电源连接 2. 清理物体 3. 清洁窗口
感应指示灯闪烁 而无水流出或出水较差	1. 通电待机状态 2. 调节栓未完全打开 3. 水压太低 4. 过滤装置脏堵 5. 接线端未接好	1. 等待10分钟 2. 打开调节栓 3. 改善供水情况 4. 清洗过滤装置 5. 检查接线端
不停水 感应灯也不在闪烁	1. 阀芯小孔堵塞 2. 阀芯滤网脏堵	1. 用细钢丝清理阀芯小孔 2. 清洗阀芯滤网
电池指示灯连续 闪烁而不出水	电池耗尽	更换新电池

如按以上操作仍未解除故障, 请通过销售商与本公司联系。

CONSUMER RESPONSIBILITIES

Do not directly flush the sensor with water. The sensor is an electronic instrument.

Keep the sensor clean.

Do not use eradicator, abrasive powder or oil, acid or alkali liquid detergent.

Do not spray air freshener, disinfectant or other kinds of odious removing, cleaning organic liquid to the sensor directly.

Urinal is designed for use with potable water.

Avoid water that includes a lot of contaminants or acid/lakali water and impure water.

When AC power unit is connected to 220V AC power supply, corresponding protective measures should be taken.

Please confirm no water penetration at the connection area of AC wire, and the connection area is not easy to be affected by damp.

Don't connect power unit to AC power supply until the sensor installation is finished.

The head AC power supply must be protected with appropriate fuse.

Please confirm the AC power supply and water supply should be shut off before maintaining the products with AC power related.


All electrical connection must be compliance with related regulation and codes.

All installation staff should be well familiar with installation instruction.


If you live in a hard water area, make certain that the holes in the toilet rim are kept clean to ensure proper flushing. Toilet bowl cleaners should be used at least once a week. Use a long-handled brush to clean the rim holes, and to clean as far into the trap as possible to prevent mineral deposits from forming.

Most toilet bowl cleaners are not harmful to the vitreous china surface of the urinal. Please follow the bowl cleaner manufacturer's instructions carefully.

Do not use abrasive cleaners or solvents.

 **WARNING: Risk of property or product damage.** Do not use cleaners inside the wash basin. Products containing chlorine (calcium hypochlorite) can seriously damage fittings in the urinal. This damage can cause leakage and property damage.

Kohler Company shall not be responsible or liable for any damage to these urinal fittings caused by the use of cleaners containing chlorine (calcium hypochlorite).

 **WARNING: Risk of product damage.** Do not throw into the urinal what is easy to block it, such as newspaper, paper pilch. Do not bump the vitreous china with great force to prevent it from damaging and leaking. Do not use the product in the water below 0°C.

用户责任

感应器为电子器具，请勿直接用水冲洗。

保持感应探头清洁。

禁止使用去污粉、研磨粉及油类、酸性类、碱性类清洁剂。

禁止直接对感应探头喷洒空气清新剂、消毒液或其他除臭、清洁类有机溶剂。

使用水源为自来水或可供饮用井水。

避免使用含有杂质较多或带有酸、碱性的处理水或未加工处理的水。

将交流电源盒接入220V电源时，应采取相应的防卫措施。

应确保交流导线连接处无水渗入以及不易受潮。

务必在感应器安装完毕后，才向交流电源盒供电。

交流电的总电源必须有合适的熔断丝加以保护。

维修交流供电型的产品时，必须首先断开交流电源并关闭水源。


所有电路连接必须符合相关规范和条例要求。

所有参与安装人员都必须熟知安装说明。


如果你居住地方的水质是硬性，你必须保持冲水孔清洁，令小便器冲水正常。每星期应最少使用厕所清洁剂清洁一次，用长把手的刷子清洁冲水孔，并尽量伸入排污管洗刷，防止矿物质积聚。

大部份厕所清洁剂都不会损坏小便器表面的釉面陶瓷，但烦请遵照厕所清洁剂生产商指示小心进行。

请勿使用腐蚀性剂或溶剂。

 **警告：提防楼宇受损或损坏产品。** 请勿使用小便池内用清洁剂。含氯(次氯酸钙)的清洁剂会严重破坏小便器附件，从而引起渗漏，或对楼宇结构造成损坏。

科勒公司对此类因使用氯(次氯酸钙)而引致的小便器附件损毁，概不负责。

 **警告：提防损坏产品。** 请不要向小便器内冲入新闻纸、纸尿垫等容易堵塞的物品。请不要用重力撞击陶瓷，以防止破损漏水。

不要在0°C以下的水环境中使用。

Description of Content of Hazardous Substances in Product

Reclaim Indication:

When the product exceeds service life or is unable to use after repair, do not throw the product away in the normal trash. Please dispose the waste electronic parts through a qualified reclamation enterprise. Make sure the product is handled properly. Disposing of product must be done in accordance with the local or national government law.

Statistics of Contents of Toxic or Hazardous Substances or Elements

Part name	Toxic or Hazardous Substance or Elements					
	Lead (Pb)	Mercury (Hg)	Cadmium (Cd)	Hexavalent Chromium (Cr(VI))	Polybrominated biphenyls(PBB)	Polybrominated Diphenyl Ethers (PBDE)
Valve Assy.	×	○	○	○	○	○
Sensor Assy.	×	○	○	○	○	○
* Battery Box Assy.	○	○	○	○	○	○
* Battery	○	○	○	○	○	○
* AC Power Box	○	○	○	○	○	○
Accessories	○	○	○	○	○	○

○: Indicates that the substance in the material composition is below the high limits of the current requirements in GB/T 26572.
 ×: Indicates that at least one of the homogeneous substance in the material composition is below the high limits of the current requirements in GB/T 26572.

*: Indicate only partial product series contains this substance.

Note: the information provided is based on the supplier data and Kohler inspection results. The product is designed not to hurt the environment. Under current technology, all hazardous materials have been used in the smallest amounts possible. Kohler will strive to reduce the use of these hazardous materials used in this product.



The product "service life for environment protection" is 10 years; Kohler Company will specify product service life based on product characteristics. The product "service life for environment protection" is only effective when the product is used as described in the product specification.

产品中有害物质含量的说明

回收提示

本产品超过使用期限或经过维修无法正常使用后，不应随意丢弃，请交由有废弃电器电子产品处理资质的企业处理，正确的处理方法请查阅国家或当地有关废旧电器电子产品处理的规定。

有害物质统计表

部件名称	有毒有害物质或者元素					
	铅(Pb)	汞(Hg)	镉(Cd)	六价铬 (Cr(VI))	多溴联苯 (PBB)	多溴二苯醚 (PBDE)
阀体组件	×	○	○	○	○	○
感应器组件	×	○	○	○	○	○
*电池盒组件	○	○	○	○	○	○
*电池	○	○	○	○	○	○
*交流电源盒	○	○	○	○	○	○
附件类	○	○	○	○	○	○

○: 表示该有害物质在该部件所有均质材料中的含量均在GB/T 26572现行有效版本规定的限量要求以下。

×: 表示有害物质至少在该部件的某一均质材料中的含量超出GB/T 26572现行有效版本规定的限量要求。

*: 表示部分机型含有该部件。

注: 本表格提供的信息是基于供应商提供的数据及科勒公司的检测结果。本产品应用环保设计理念，在当前技术水平下，所有有害物质或元素的使用已经控制到了最低程度，科勒公司会继续努力通过改善现有技术来减少这些物质的使用。



本产品的“环保使用期限”为10年，科勒公司根据产品设计特性指定该期限。只有在本产品使用说明书所述的正常情况下使用本产品时，“环保使用期限”才有效。