

安装说明

小便器

记录您的型号：
Record your model number: _____

English, page 10

KOHLER®

1586366-T2-A

Thank You for Choosing KOHLER

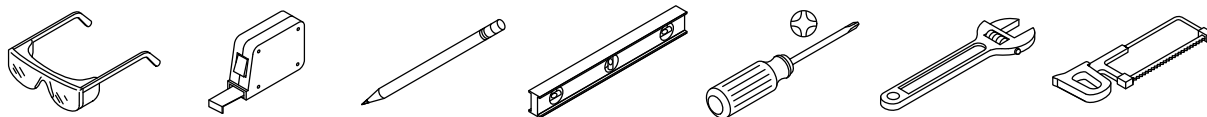
需要帮助？请联系我们的客户服务中心。

- 中国大陆：+(86) 800-820-2628, +(86) 400-820-2628
- 中国香港、中国澳门、中国台湾：+(852) 3125-7728
- 保养和清洁：kohler.com.cn/support/care-and-cleaning/

质保

本产品支持科勒®厨卫产品三年有限质保，详见包装所附的《合格证》。

工具和材料



以及：

- PVC 胶
- 硅酮润滑脂
- 在安装过程中，使用支撑附件支撑小便器

开始之前

关闭供水系统。

请遵守当地管路安装及建筑条例。

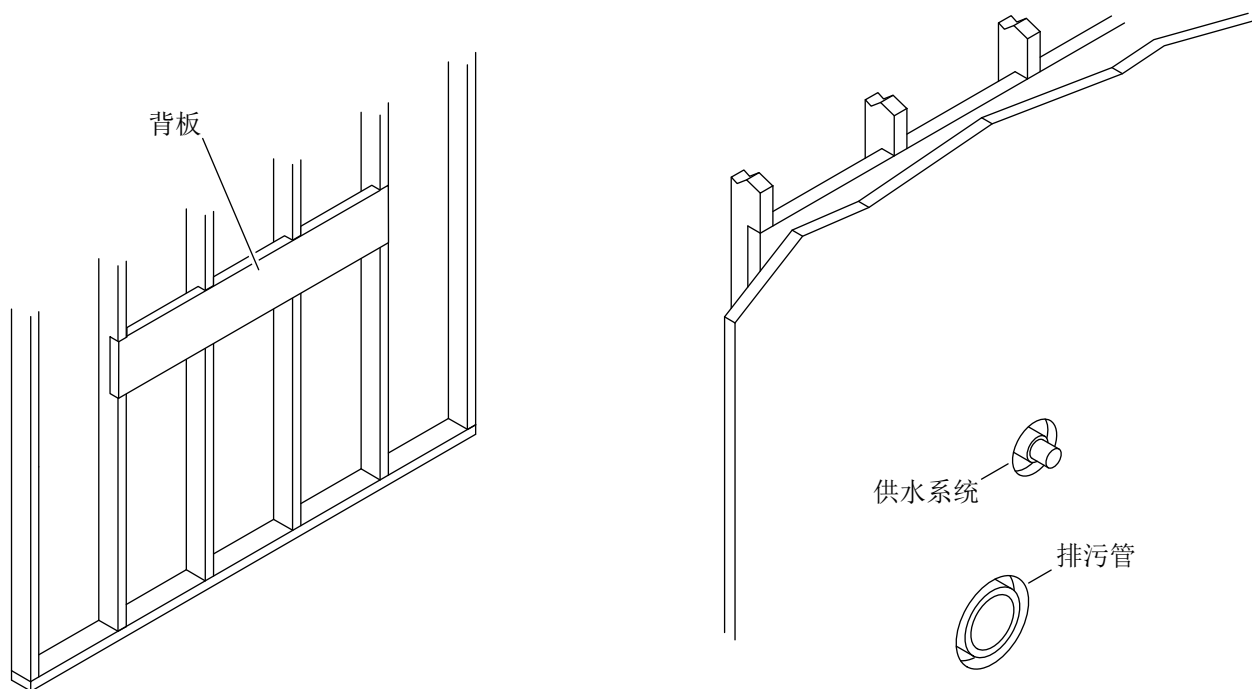
有关尺寸信息，请参阅地排水产品尺寸图。

按照厂商的说明，安装冲洗阀。

安装供水管道。

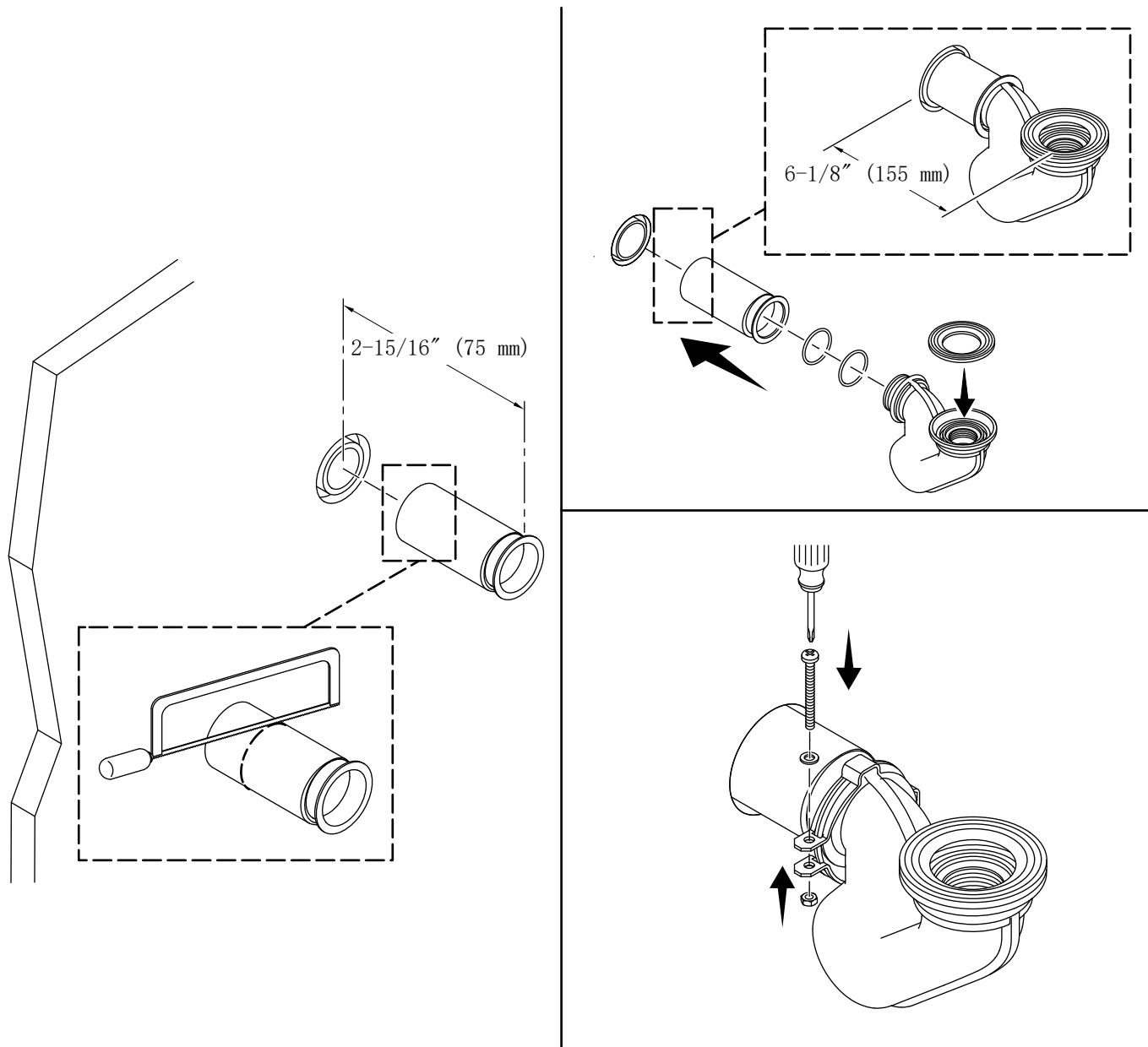
本产品遵守 GB 6952-2015、GB 28377-2019。

1. 安装场地准备



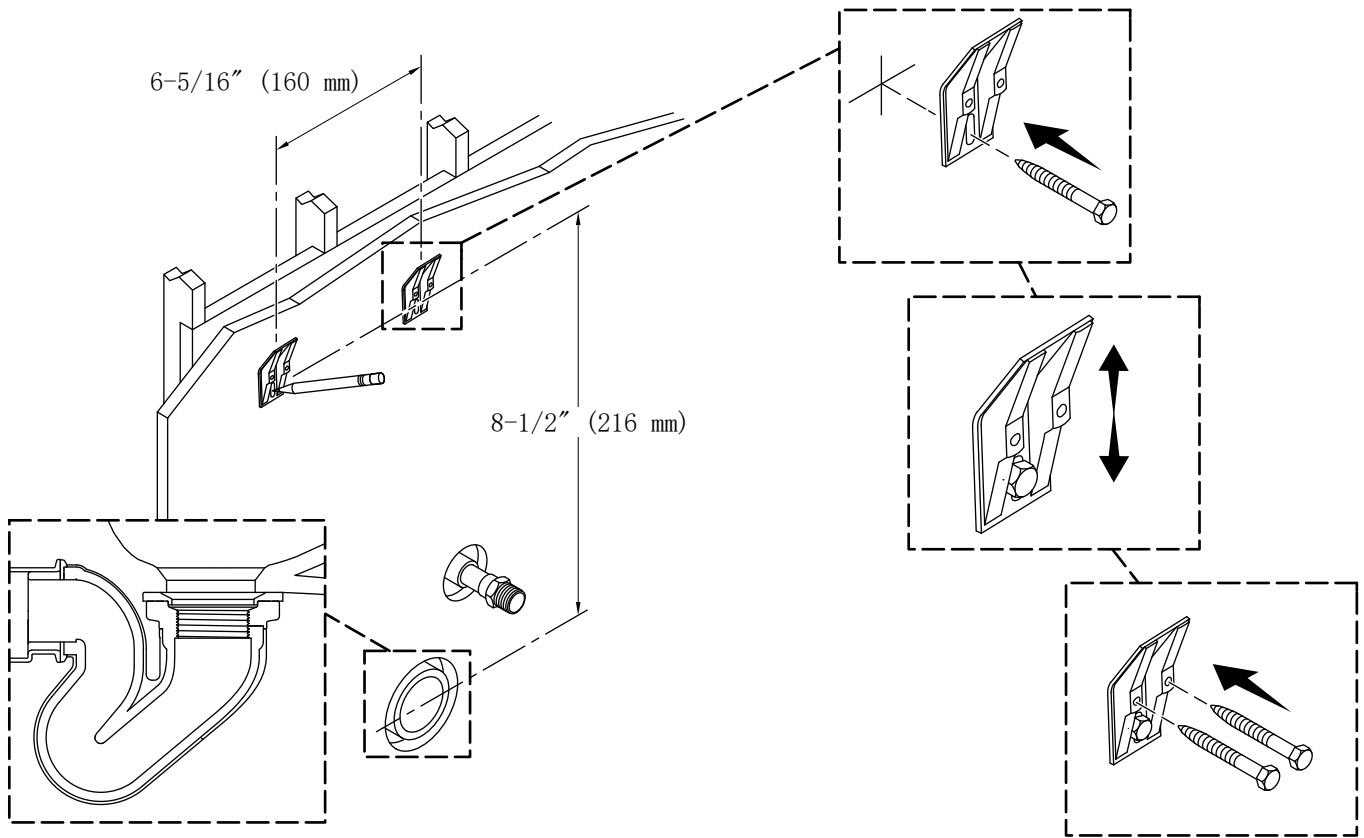
- 如有必要，安装背板，以便加强支撑。核实背板的正面是否与螺栓齐平。
- 按照地排水产品尺寸图安装 DN50 PVC 污水管。
- 按照地排水产品尺寸图安装 G1/2 进水管。
- 安装止水阀。

2. 准备排污通道



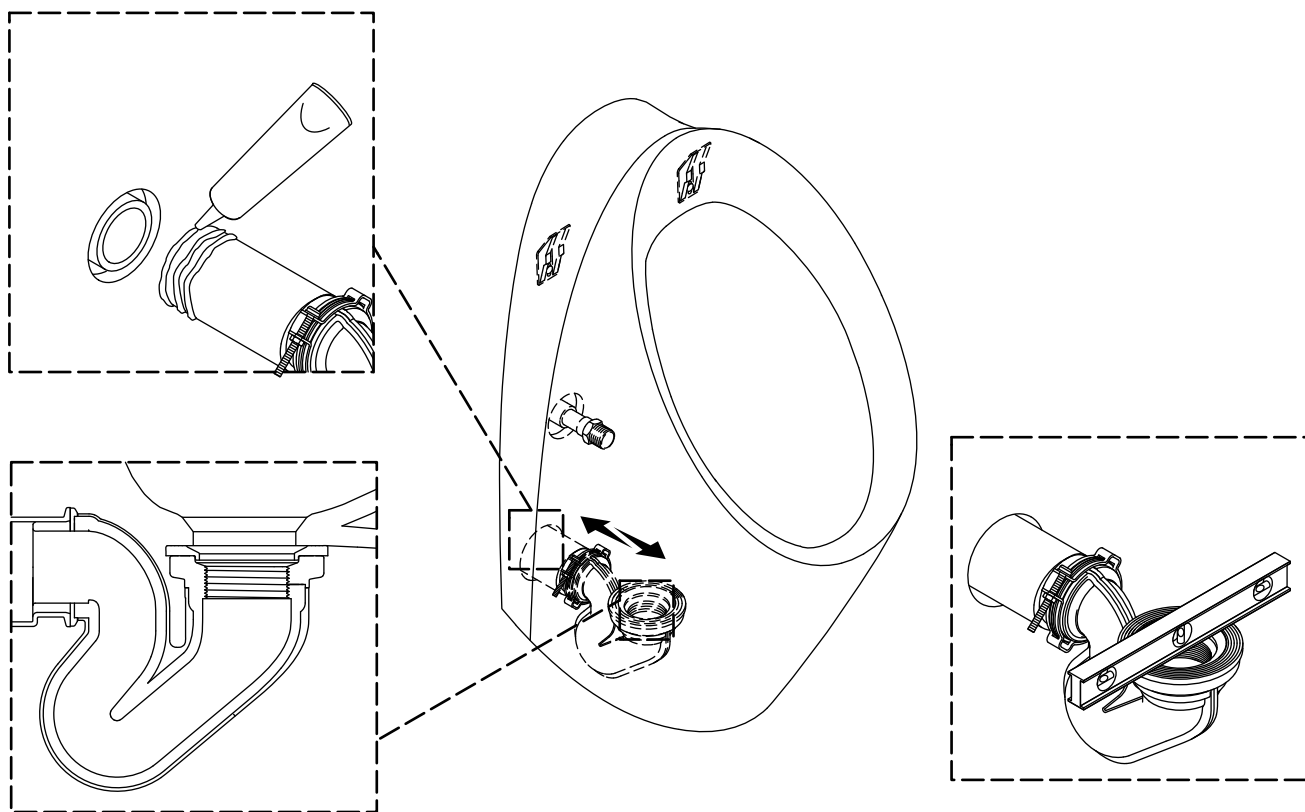
- 在距离成品墙 2-15/16 英寸（75 毫米）处，宽松地将管道接头安装到污水管内。根据需要切割管道接头。
- 组装排污通道，核实排污通道的中心是否距离成品墙 6-1/8 英寸（155 毫米）。
- 用卡箍将排污管道固定到管接头上。

3. 重新安装墙壁挂钩



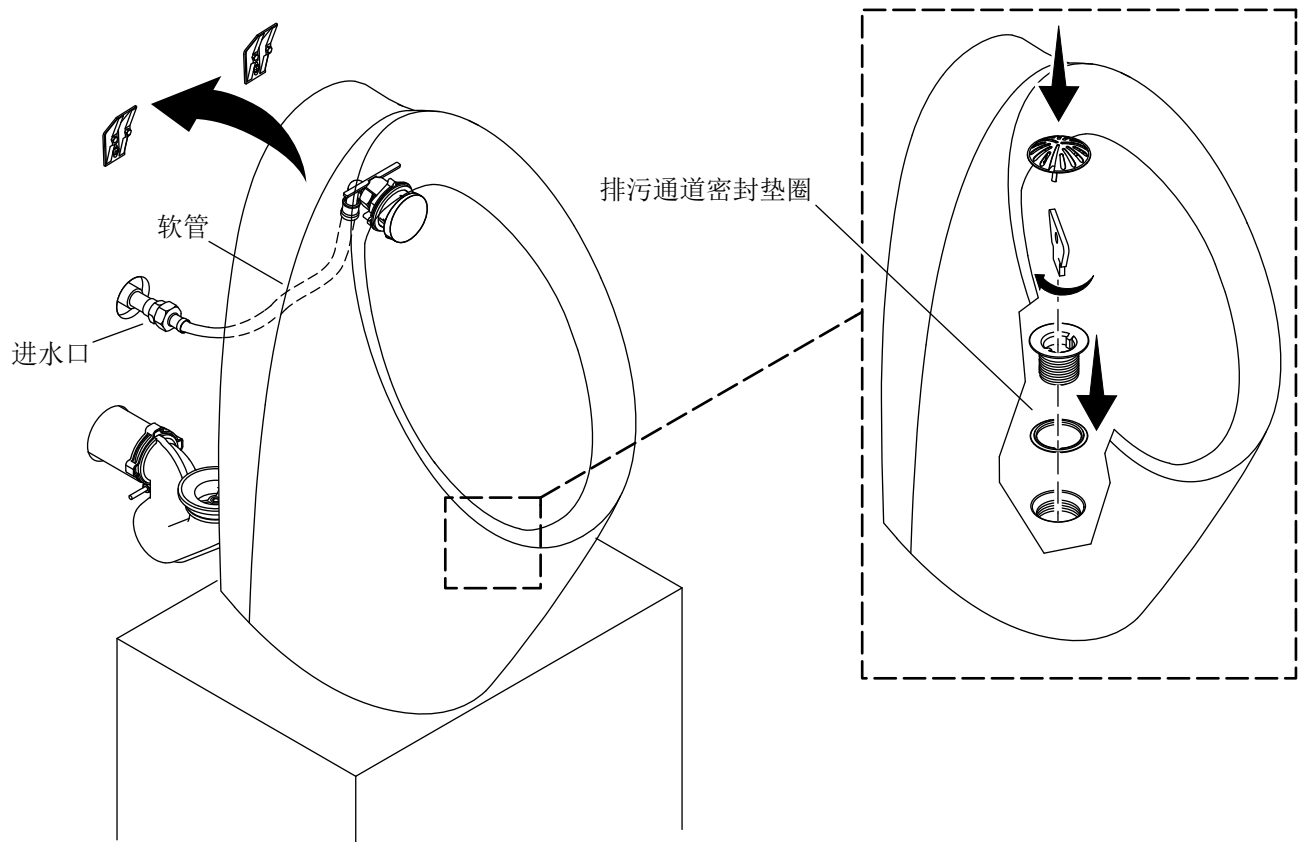
- 使墙壁挂钩的底部插槽位于污水管中央上方 8-1/2 英寸（216 毫米）处。
- 使墙壁挂钩的中心彼此相距 6-5/16 英寸（160 毫米），并标记螺丝底部插槽的中心。
- 穿过墙壁挂钩的底部插槽，不要拧紧螺丝。
- 小心地将小便器挂到墙壁挂钩上，核实小便器是否与排污通道对齐。拆下小便器。根据需要 will 墙壁挂钩向上或向下放置。
- 使用随附的螺丝固定墙壁挂钩。

4. 安装排污通道



- 将小便器挂到墙壁挂钩上。调整排污通道的延伸部分，使其与小便器对齐。
- 拆下小便器。
- 在管接头的外侧涂上 PVC 胶。
- 将管接头插入污水管。核实排污通道开口是否水平。

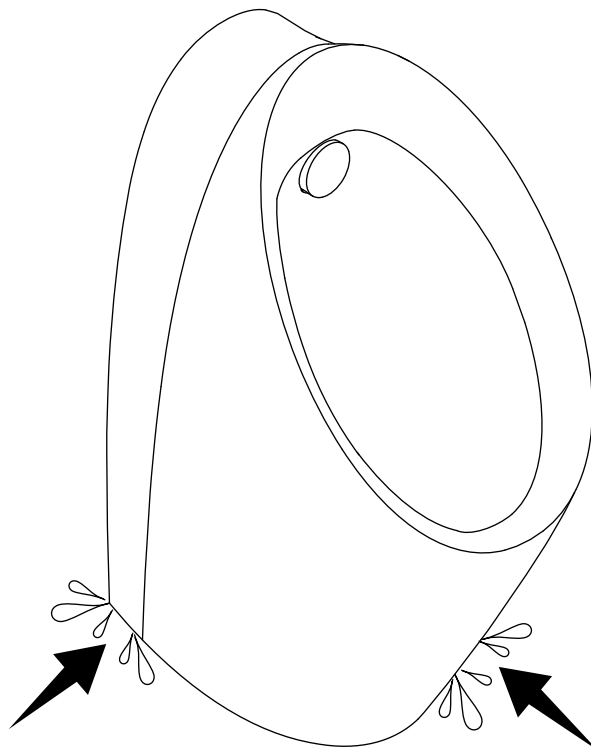
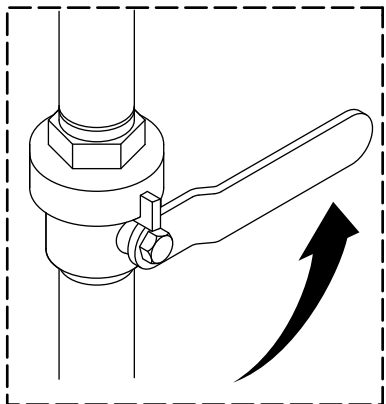
5. 安装小便器



重要信息! 为避免损坏滤网 在使用磨砂清洁材料或钢丝绒清洁小便器时，应拆除滤网

- 将软管连接到小便器。用手拧紧软管 1/2 圈。
- 将小便器放在支架上。
- 将软管连接到进水口。用手拧紧软管 1/2 圈。
- 将小便器挂到墙壁挂钩上。**请勿夹压或扭结软管。**
- 核实小便器是否与排污通道对齐。
- 向排污通道的密封垫圈涂抹硅酮润滑脂。
- 使用所提供的工具手动拧紧套环。
- 安装下水器。

6. 完成安装



注： 如果在冲洗小便器时水溅起或溢出，请使用控制阀将水压调低。

- 将水倒入排污通道，检查是否漏水。
- 按照厂商的说明，安装冲洗阀。
- 按照厂商的说明，根据需要调整冲洗流速。
- 打开供水系统。检查是否漏水。

Installation Instructions

Urinal

Thank You for Choosing KOHLER

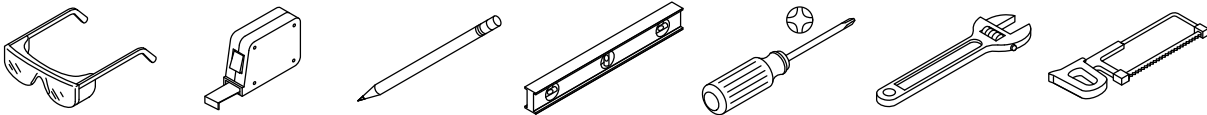
Need help? Contact our Customer Care Center.

- Mainland China: +(86) 800-820-2628, +(86) 400-820-2628
- Hong Kong (China), Macau (China), Taiwan (China): +(852) 3125-7728
- Care and cleaning: kohler.com.cn/support/care-and-cleaning/

Warranty

This product is covered under the **Three-Year Limited Warranty for KOHLER® Plumbing Products**, found in the packed Compliance Certification.

Tools and Materials



Plus:

- PVC Glue
- Silicone Lubricating Grease
- Stand to support the urinal during installation

Before You Begin

Turn OFF the water supply.

Follow all local plumbing and building codes.

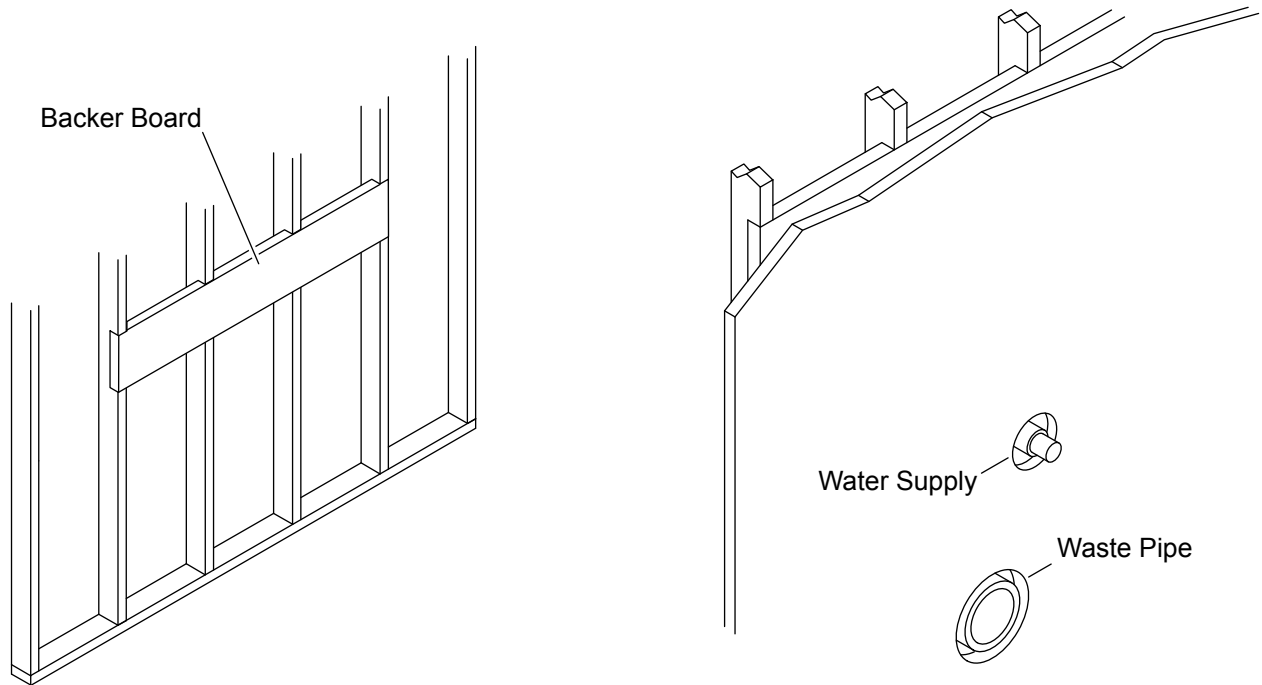
Refer to the Roughing-In Sheet for dimensional information.

Install the flushometer following the manufacturer's instructions.

Install the water supply lines and piping.

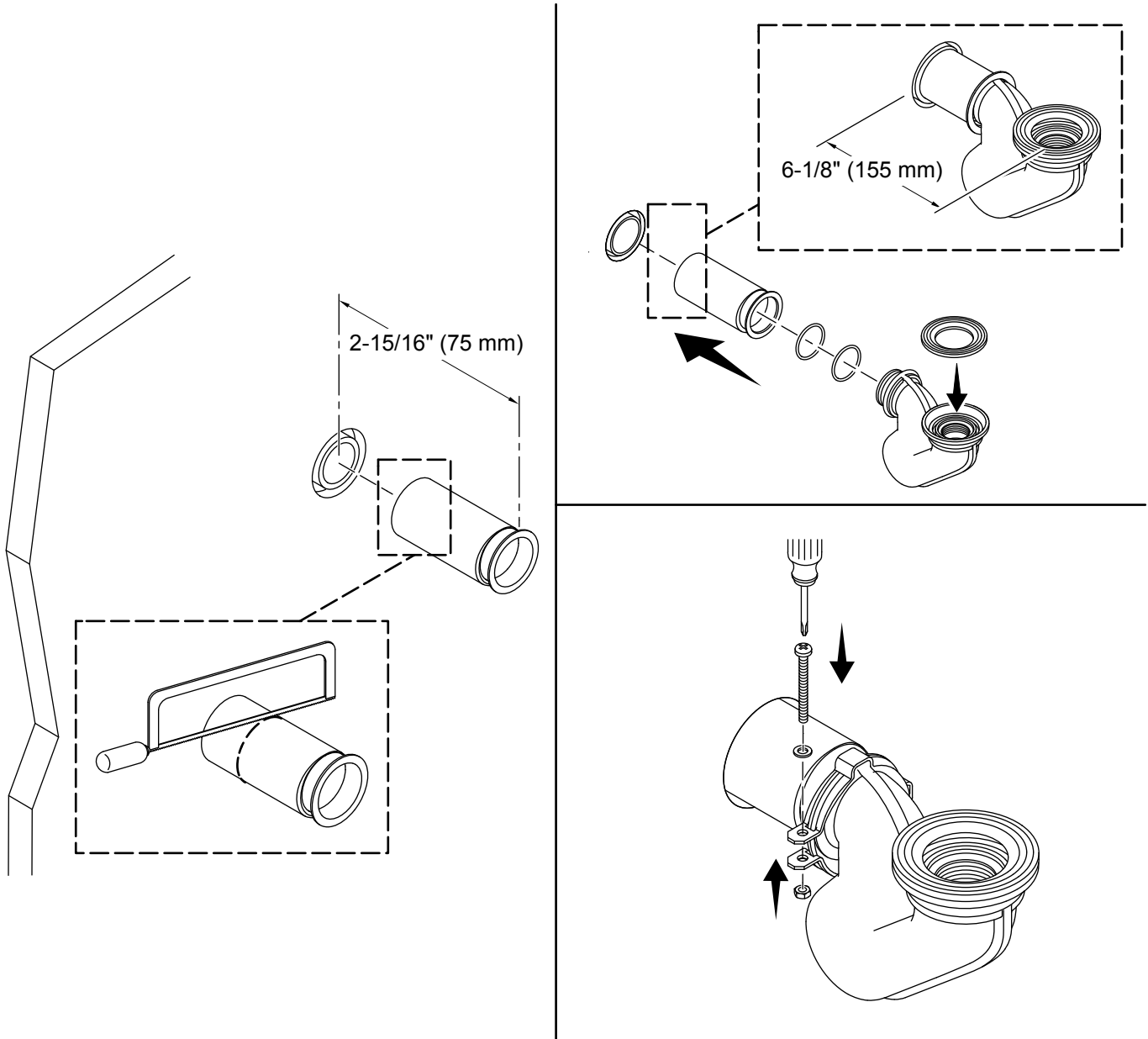
The product complies with GB 6952-2015, GB 28377-2019.

1. Prepare the Site



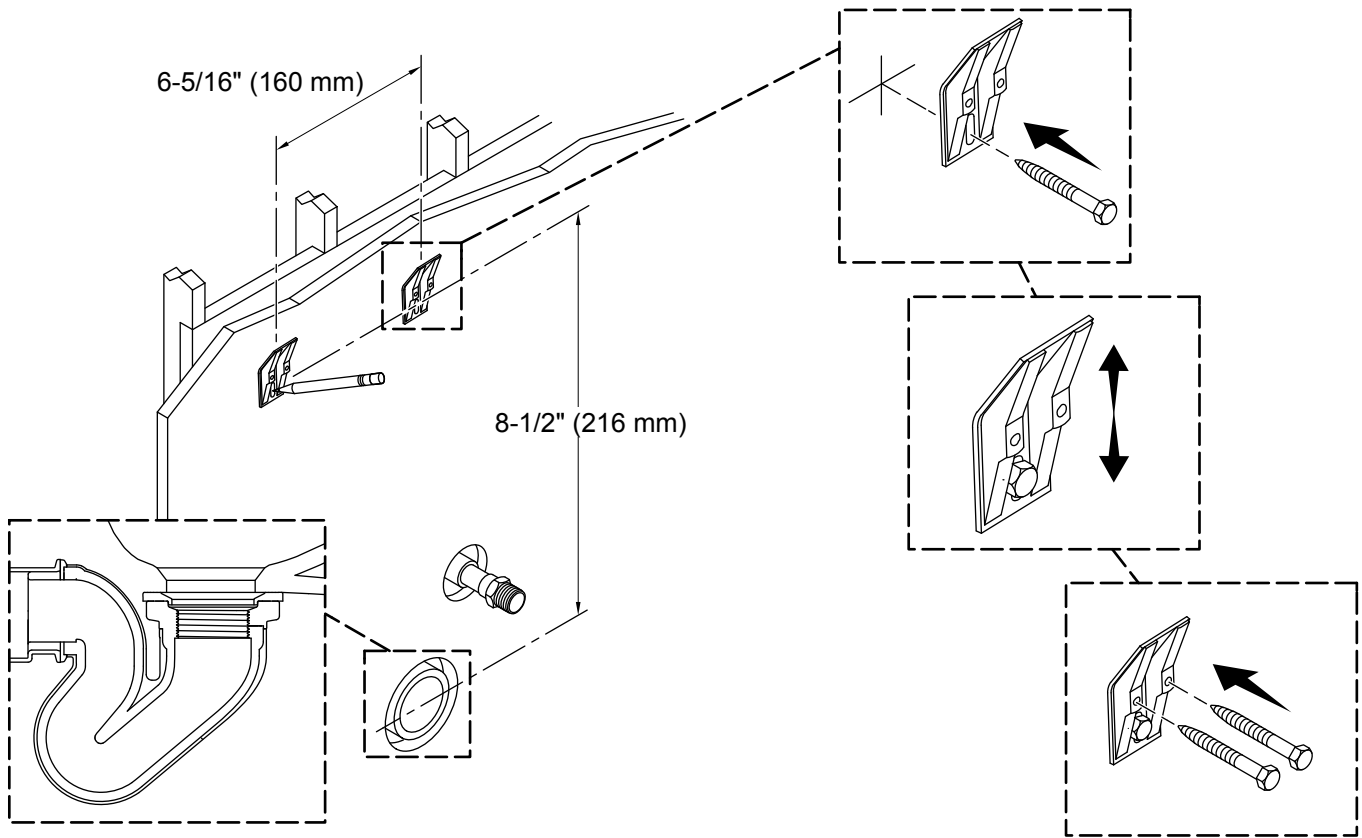
- Install a backer board for additional support, if needed. Verify that the front of the backer board is installed flush with the studs.
- Install a DN50 PVC waste pipe according to the Roughing-In Sheet.
- Install a G1/2 water supply inlet according to the Roughing-In Sheet.
- Install the shut-off valve.

2. Prepare the Trapway



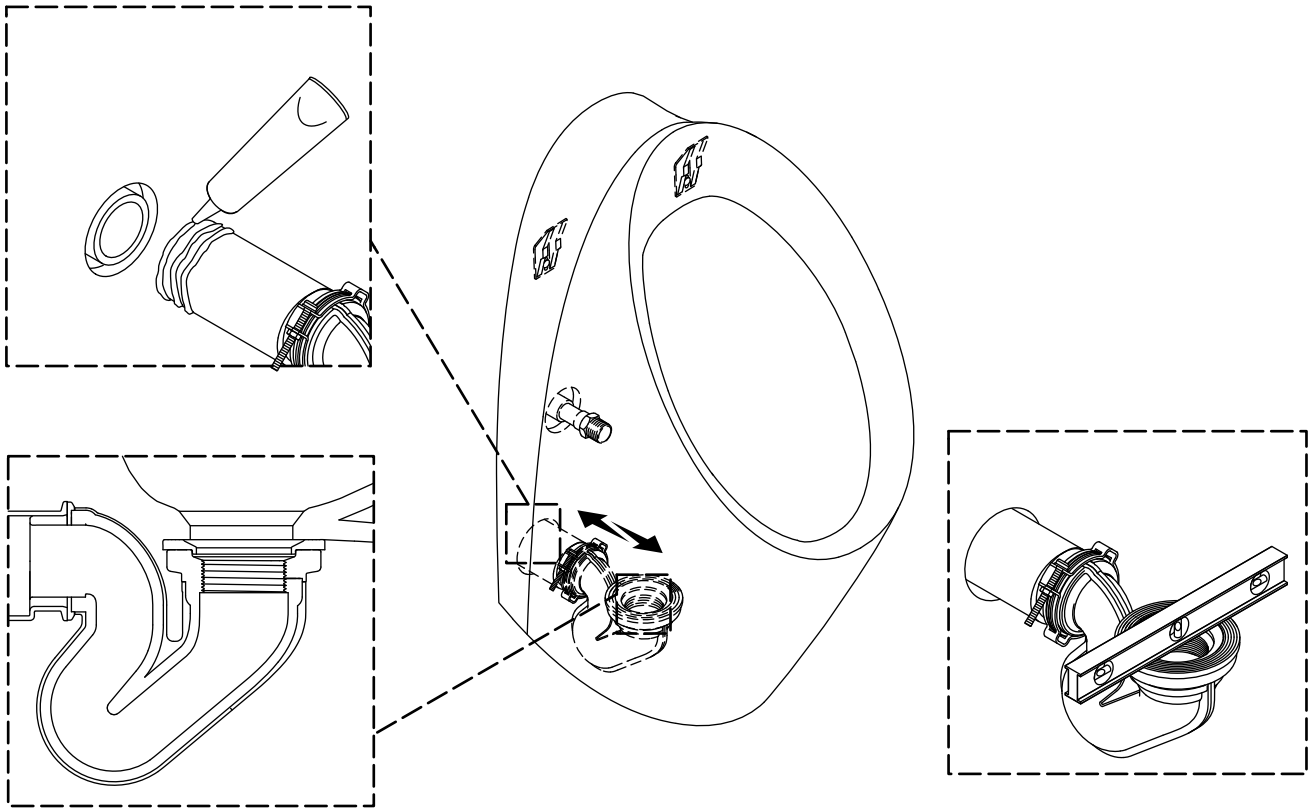
- Loosely install the tube adapter inside the waste pipe 2-15/16" (75 mm) beyond the finished wall. Cut the tube adapter as needed.
- Assemble the trapway and verify that the center of the trapway is 6-1/8" (155 mm) from the finished wall.
- Secure the trapway to the tube adapter with the clamp.

3. Install the Wall Hangers



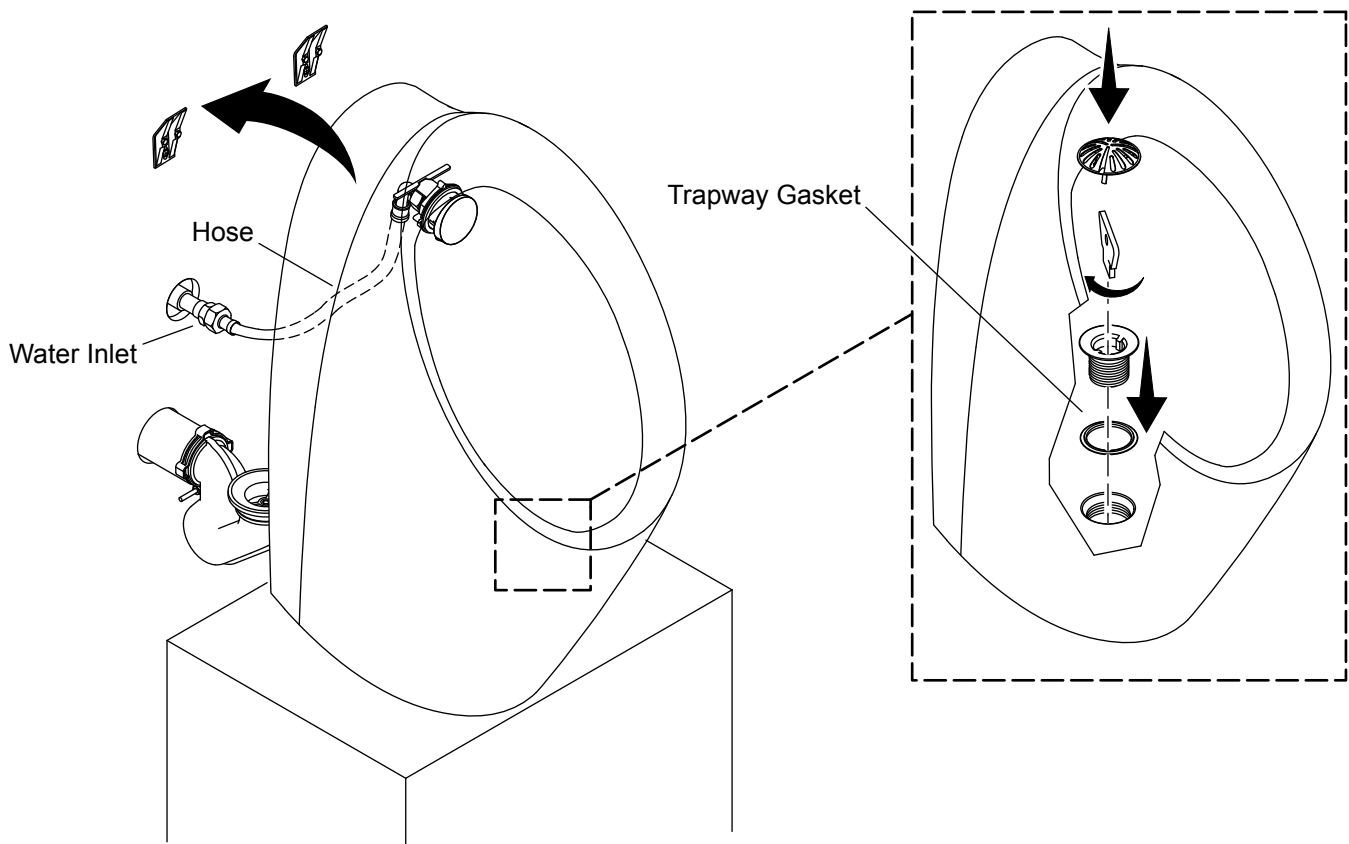
- Position the bottom slot of the wall hangers 8-1/2" (216 mm) above the center of the waste pipe.
- Position the center of the wall hangers 6-5/16" (160 mm) apart and mark the center of the bottom slot for the screws.
- Loosely install a screw through the bottom slot of the wall hanger.
- Carefully hang the urinal on the wall hangers to verify that the urinal will align with the trapway. Remove the urinal. Position the wall hangers up or down as needed.
- Secure the wall hangers with the provided screws.

4. Install the Trapway



- Position the urinal on the wall hangers. Adjust the extension of the trapway to align with the urinal.
- Remove the urinal.
- Apply PVC glue to the outside of the tube adapter.
- Insert the tube adapter into the waste pipe. Verify that the opening of the trapway is level.

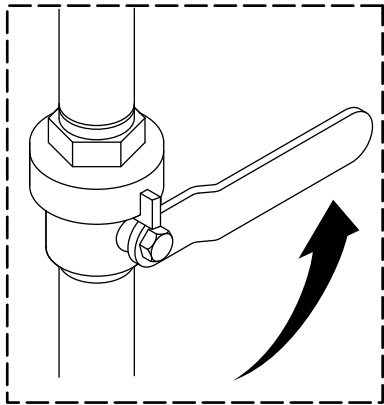
5. Install the Urinal



IMPORTANT! To avoid damaging the strainer, remove the strainer when cleaning the urinal with abrasive cleaning materials or scouring pads.

- Attach the hose to the urinal. Tighten the hose 1/2-turn past hand-tight.
- Support the urinal on a stand.
- Connect the hose to the water inlet. Tighten the hose 1/2-turn past hand-tight.
- Hang the urinal on the wall hangers. **Do not pinch or kink the hose.**
- Verify that the urinal aligns with the trapway.
- Apply silicone lubricating grease to the trapway gasket.
- Handtighten the collar with the provided tool.
- Install the strainer.

6. Complete the Installation



NOTE: If water splashes or overflows when the urinal is flushed, adjust the water pressure lower using the control stop.

- Pour water down the trapway and check for leaks.
- Install the flushometer following the manufacturer's instructions.
- Adjust the flush flow rate as desired following the manufacturer's instructions.
- Turn ON the water supply. Check for leaks.

[kohler.com](https://www.kohler.com)

THE BOLD LOOK
OF **KOHLER**®

©2024 Kohler Co.



1586366-T2

1586366-T2-A