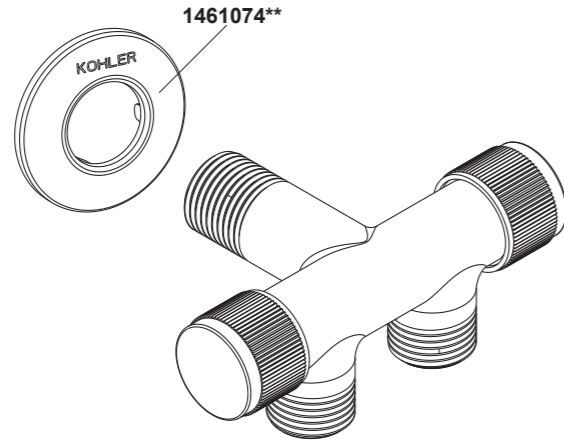
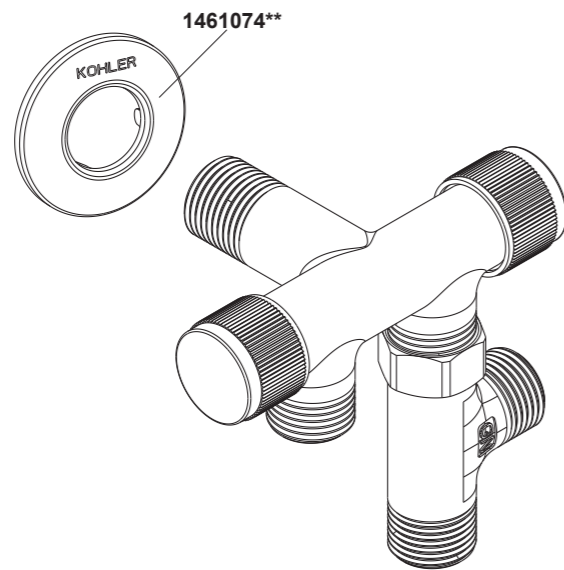


33983T-9 三通双控角阀
33984T-9 四通双控角阀



33983T-9



33984T-9

**订购时请说明颜色编号
 **Color code must be specified when ordering

33983T-9 三通双控角阀
33984T-9 四通双控角阀

安装之前

所有的资料是按最新出版的产品资料编写而成。科勒公司保留任何时候不经通知即可改变产品特性、包装或产品可供类型的权利。

说明书包括重要的安装、保养及清洁方面的内容，请把这些资料交给用户阅读。

注意事项:

1. 一定要先彻底冲洗供水管以清除管道中的杂质。
2. 使用静水压力不超过1.0MPa(10bar)，适用水温 0°C~80°C。

BEFORE YOU BEGIN

All information is based on the latest product information available at the time of publication. Kohler Co. reserves the right to make changes in product characteristics, packaging, or availability at any time without notice.

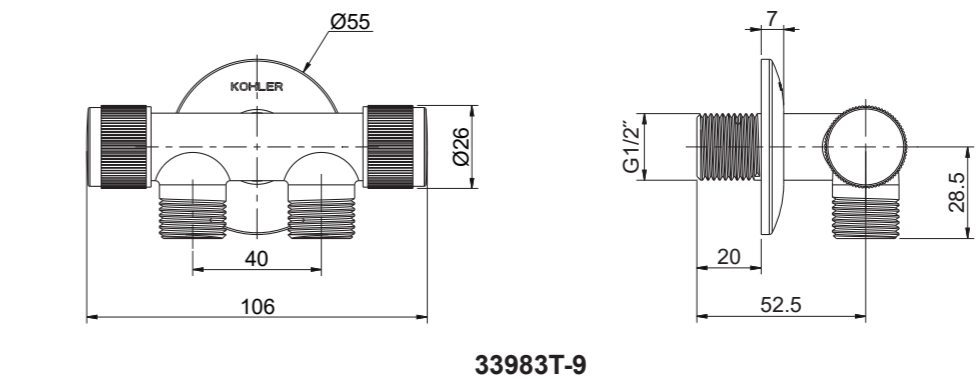
Please leave these instructions for the consumer. They contain important information.

NOTES:

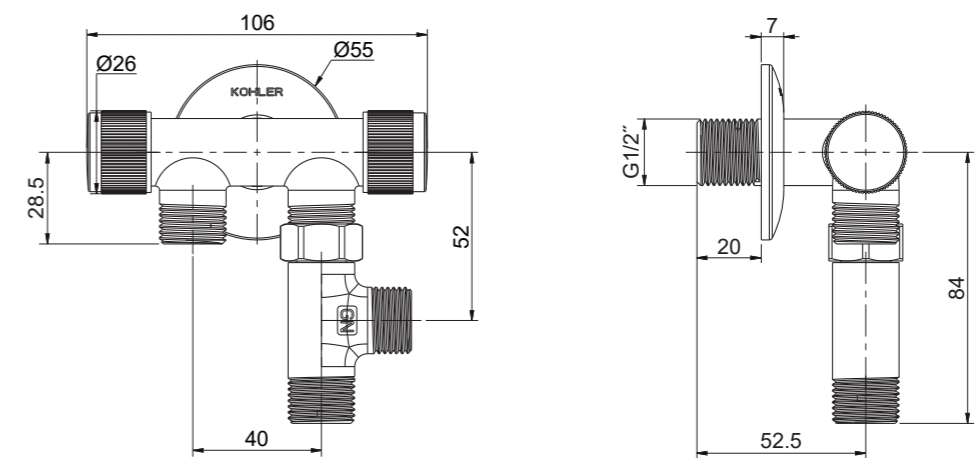
1. Flush the water supply pipes thoroughly to remove debris.
2. The static water pressure should not exceed 1.0MPa(10bar). The supply water temperature should be between 0°C and 80°C.

安装尺寸

ROUGH-IN DIMENSIONS



33983T-9



33984T-9

安装步骤	INSTALLATION
<p>切断供水管路。</p> <p>在装饰盖(1)底部涂一圈油灰。将装饰盖套在角阀的进水牙管(2)上。</p>  <p>在进水牙管上涂密封胶带或密封胶，将角阀装在供水管路(3)上。</p> <p>使出水口处于便于连接软管的方向，用带状扳手拧紧。将装饰盖向后推，靠墙贴紧。去除多余油灰。</p>	<p>Shut off the water supply.</p> <p>Apply a ring of plumbers putty around the underside of the escutcheon(1). Slide the escutcheon to the inlet shank(2) of the angle valve.</p> <p>Apply tape or sealant to the inlet shank and install it to the pipe(3).</p> <p>Ensure the outlet in a suitable position to connect hose easily. Tighten with a strap wrench. Push the escutcheon against the wall. Remove any excess putty.</p>
安装结果检查	INSTALLATION CHECKOUT
<p>检查并确保所有的衔接处都已拧紧。确保把手在关闭位置。打开主要供水源，检查并修理有漏水的接口。</p>	<p>Ensure that all connections are tightened, and the handle is in the off position. Turn on the main water supply and check for leaks. Repair as required.</p>
使用说明	HANDLE OPERATION
<p>顺时针旋转把手为关，逆时针为开。</p>	<p>Turn clockwise to close the handles and turn counter-clockwise to open.</p>
质量担保	WARRANTY
<p>科勒对正常使用下由阀芯造成的角阀滴漏现象，及正常使用下的角阀制造和质料上的瑕疵提供长达三年的质量担保，对其后出现的损坏不负任何责任。</p> <p>注意：担保范围不包括：水压不足或过高，水温低于0°C，水中杂质过多，水质过硬和不正当清洗所导致的问题；私自拆装产品，外观碰伤，使用不当及未按说明书安装的额外损失；未有列明的修理和零件以及安装费用。</p> <p>为获得担保服务，请联系您的经销商或承包商，或下列科勒服务中心。请确保提供所有相关的信息，包括完整的问题描述、型号、颜色、表面镀层、购买时间及销售方。请务必同时提供购买凭证（原销售发票）。</p> <p>本产品金属元素析出符合GB 18145-2014标准，不符合GB/T 26712-2011的4.2.1项。</p>	<p>Kohler provides three years warranty for its stop valve to be leak and drip and all other aspects of defects of material and workmanship free during normal residential and commercial use from the date the product is purchased.</p> <p>NOTES: This warranty does not cover problems arising from insufficient or beyond the upper limit of the water pressure, water supply temperature below 0°C, excessive water impurities, hard water quality or improper care or cleaning. Kohler is not responsible for disassembling the product, surface damage, labor charges, installation, or other incidental or consequential costs.</p> <p>To obtain warranty service, please contact your Dealer or Plumbing Contractor, or a Kohler Service Center using the information provided below. Please be sure to provide all pertinent information regarding your claim, including a complete description of the problem, the product, model number, color, finish, the date the product was purchased and from whom the product was purchased. Proof of purchase (original sales invoice) must be provided to Kohler AP with all warranty claims.</p> <p>The metallic elements precipitation of product is in compliance with GB 18145-2014, and does not meet the demand of item 4.2.1 on standard GB/T 26712-2011.</p>

各产品购买地区/国家科勒担保服务中心		Kohler Warranty Obligor/Service Center for Region or Country of Purchase	
产品购买地区/国家	地址	Region/Country of Purchase	Address
<p>中国大陆 科勒(中国)投资有限公司 中央客户服务中心 中国上海市静安区江场三路158号 邮编：200436 免费咨询保修电话：+ (86) 800-820-2628 + (86) 400-820-2628 网址：http://www.kohler.com.cn</p>		<p>China mainland Kohler China Investment Co., Ltd. Central Customer Service Centre NO.158 Jiang Chang San Road, Jing'an District, Shanghai, PRC Post Code: 200436 Toll-Free Service Call: + (86) 800-820-2628 + (86) 400-820-2628 Website: http://www.kohler.com.cn</p>	
<p>泰国 Kohler (Thailand) Public Company Limited 16 Floor. Jasmine City Building., 2 Soi Sukhumvit 23, Sukhumvit Road, Wattana, Bangkok, Thailand. 10110 电话：+ (66) 2700 9299 传真：+ (66) 2204 6224 E-mail: callcenterthailand@kohler.com</p>		<p>Thailand Kohler (Thailand) Public Company Limited 16 Floor. Jasmine City Building., 2 Soi Sukhumvit 23, Sukhumvit Road, Wattana, Bangkok, Thailand. 10110 Tel: + (66) 2700 9299 Fax: + (66) 2204 6224 E-mail: callcenterthailand@kohler.com</p>	
<p>中国台湾、中国香港和中国澳门 科勒亚洲有限公司 中国香港湾仔骆克道188号兆安中心29/F 电话：+ (852) 3125 7728 传真：+ (852) 2802 2162</p>		<p>Taiwan, Hong Kong and Macau, China Kohler Asia Pacific Limited 29/F, Siu On Center, 188 Lockhart Road, Wanchai, Hongkong, PRC Tel: + (852) 3125 7728 Fax: + (852) 2802 2162</p>	
<p>新加坡、菲律宾、马来西亚、印度尼西亚、越南、韩国、文莱、日本、蒙古和关岛 亚太客户服务中心 中国上海市静安区江场三路158号 邮编：200436 电话：+ (86) 21 2606 2572 传真：+ (86) 21 6107 8900</p>		<p>Singapore, the Philippines, Malaysia, Indonesia, Vietnam, South Korea, Brunei, Janpan, Mongolia and Guam Asia Customer Service Centre No.158, Jiang Chang San Road, Jing'an District, Shanghai, PRC Post Code: 200436 Tel: + (86) 21 2606 2572 Fax: + (86) 21 6107 8900</p>	
清洗说明		CLEANING INSTRUCTIONS	
<p>适用于所有加工处理过的表面：以中性肥皂水清洗镀层表面，再以干净的软布彻底擦干整个表面，许多清洁剂，比如氨水、去污粉及洁厕灵等，会对电镀表面造成伤害，切忌使用。</p> <p>有磨损性的清洁用具或清洁剂也不可适用于科勒牌的水龙头及其配件上。</p>		<p>All Finishes: Clean the finish with mild soap and warm water. Wipe entire surface completely dry with clean soft cloth. Many cleaners may contain chemicals, such as ammonia, chlorine, toilet cleaner etc. which could adversely affect the finish and are not recommended for cleaning.</p> <p>Do not use abrasive cleaners or solvents on Kohler faucets and fittings.</p>	