

72830T-L 头顶花洒

安装之前

所有的资料是按最新出版的产品资料编写而成。科勒公司保留任何时候不经通知即可改变产品特性、包装或产品可供类型的权利。

说明书包括重要的安装、保养及清洁方面的内容，请把这些资料交给用户阅读。

注意事项：

1. 一定要先彻底冲洗供水管以清除管道中的杂质。
2. 推荐工作压力：2~5bar。
3. 花洒最高工作压力：0.5MPa(5bar)。水压超过0.5MPa(5bar)必须安装减压阀。花洒最高工作温度及环境温度：60°C。请特别注意花洒同花洒连接的臂管须远离浴霸，否则可能损坏花洒及其密封件，甚至对使用者造成伤害。
4. 本产品只接受水压测试，并且测试前需先排空管路及龙头之间的空气。测试水压不超过0.8MPa(8bar)，时间不超过30分钟。
5. 压力过高，水流过大时，请安装附带的限流器。

BEFORE YOU BEGIN

All information is based on the latest product information available at the time of publication. Kohler Co. reserves the right to make changes in product characteristics, packaging, or availability at any time without notice.

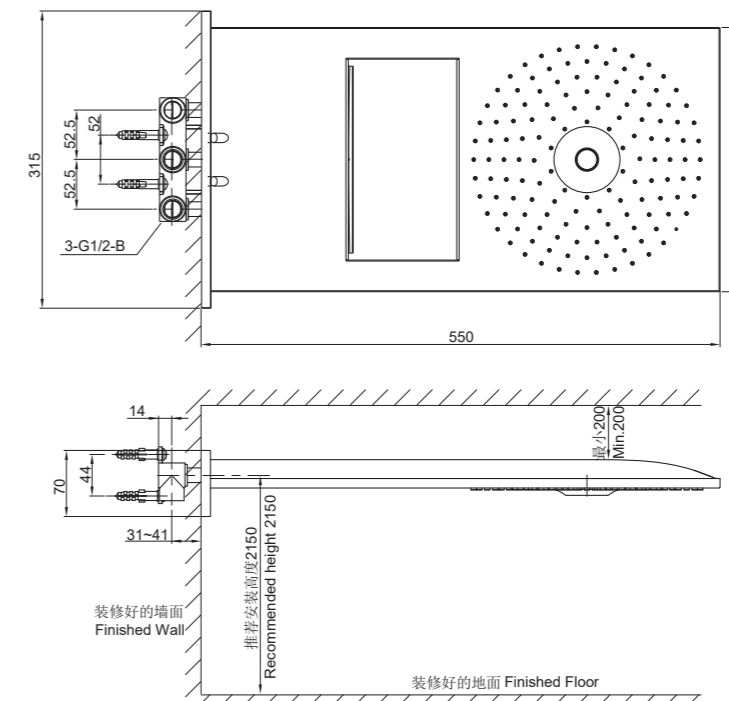
Please leave these instructions for the consumer. They contain important information.

NOTES:

1. Flush the water supply pipes thoroughly to remove debris.
2. Recommended working pressure: 2~5bar.
3. The highest working pressure for showerhead is 0.5MPa(5bar). If it exceeds 0.5MPa(5bar), a pressure reducer is needed. The highest water and environment temperature is 60°C. Please keep the showerhead away from heater, or it may become damaged and cause injury to the user.
4. Please ensure only apply water pressure test on the product, and empty the air in pipe and faucet thoroughly before the test. Please ensure test pressure below 0.8MPa(8bar) and test duration within 30 minutes.
5. If water pressure is too high, water flow is excess, please install the attached flow regulator.

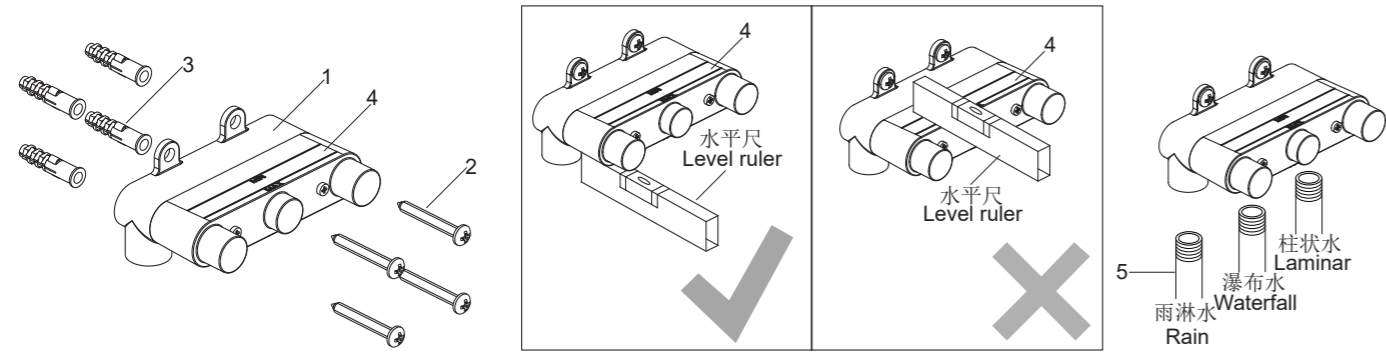
安装尺寸

ROUGH-IN DIMENSIONS



安装步骤

INSTALLATION



如何安装连接组件

在垂直的墙壁上，根据安装尺寸在合适的高度安装底座(1)。

在墙面上开一个合适的孔用于放置底座。根据涨塞(3)的尺寸和底座的位置打四个 $\varnothing 10$ 的孔，竖直的两个孔中心连线应垂直地面。

将涨塞装入孔中，用四个螺钉(2)固定底座。**注意：**确保装修好的外墙面应处于保护套(4)上的MAX与MIN标记之间，用水平尺保证保护套底部处于水平。

在管道配件(5)上涂螺纹密封胶或缠绕足以密封的密封胶带。将管道配件接到底座上。

安装过程中，为了保护底座，保护罩需留在底座上。

How to Install the Base

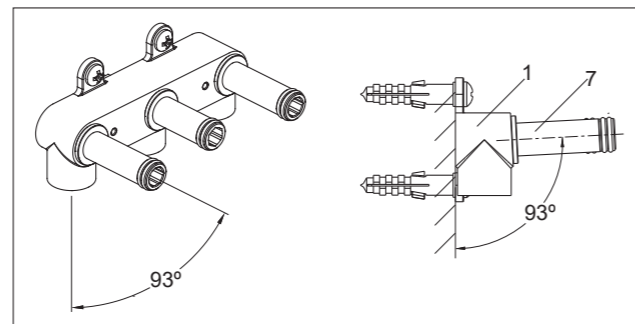
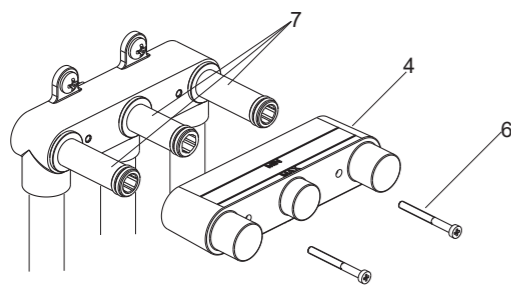
Determine the position of the base(1) will be mounted on the vertical wall according to the rough-in dimensions.

Make a suitable hole in the wall. Drill four holes($\varnothing 10$) as anchor(3) diameter and base position in the wall. The center line of two vertical holes should be vertical.

Install the anchors, secure the base by the screws(2). **NOTE:** The out surface of the finished wall should be between the MAX and MIN marks on the protector(4). Ensure the bottom of protector is horizontal by lever ruler.

Use appropriate thread sealants or thread tape on the water supplies(5). Connect water supplies to the base.

During installation, the protector remain on the base.



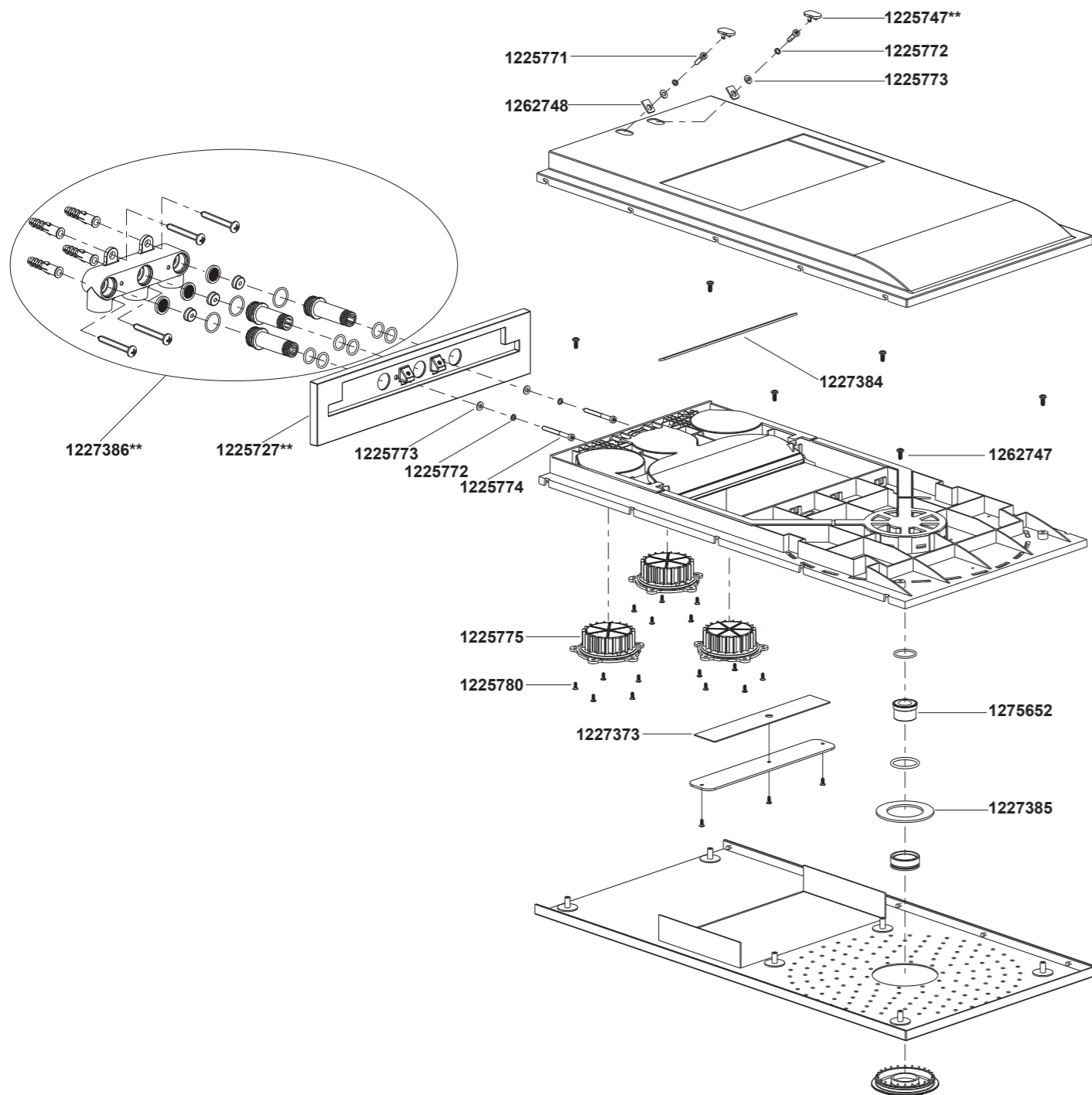
如何安装头顶花洒

墙面装修好后，卸下螺钉(6)，取下保护套(4)。接头(7)与墙壁成 93° 角。

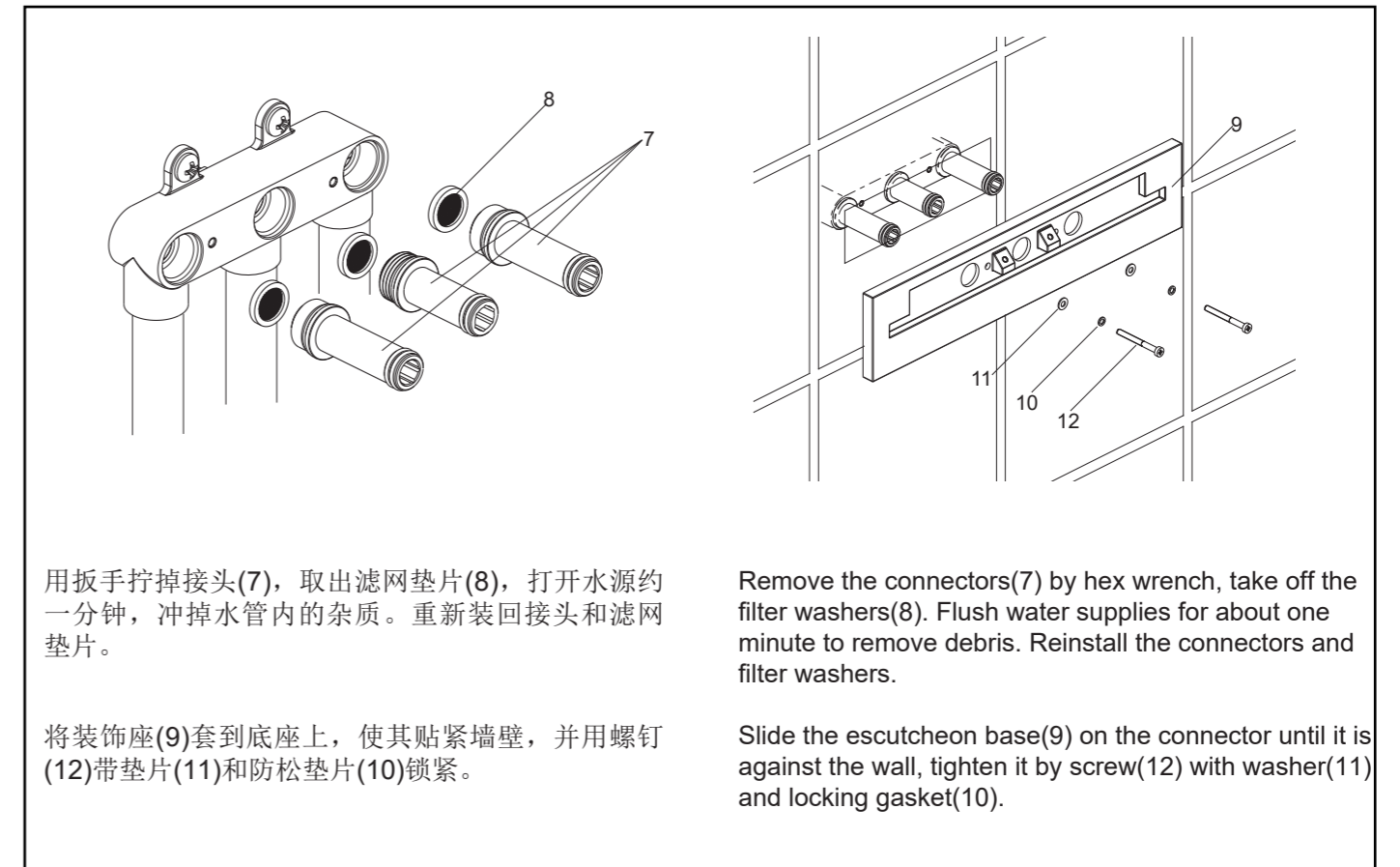
How to Install the Showerhead

When the finished wall is completed, take off the screws(6) and protector(4). The angle between connectors(7) and finished wall should be 93 degrees.

72830T-L 头顶花洒



**订购时请说明颜色编号
 **Color code must be specified when ordering

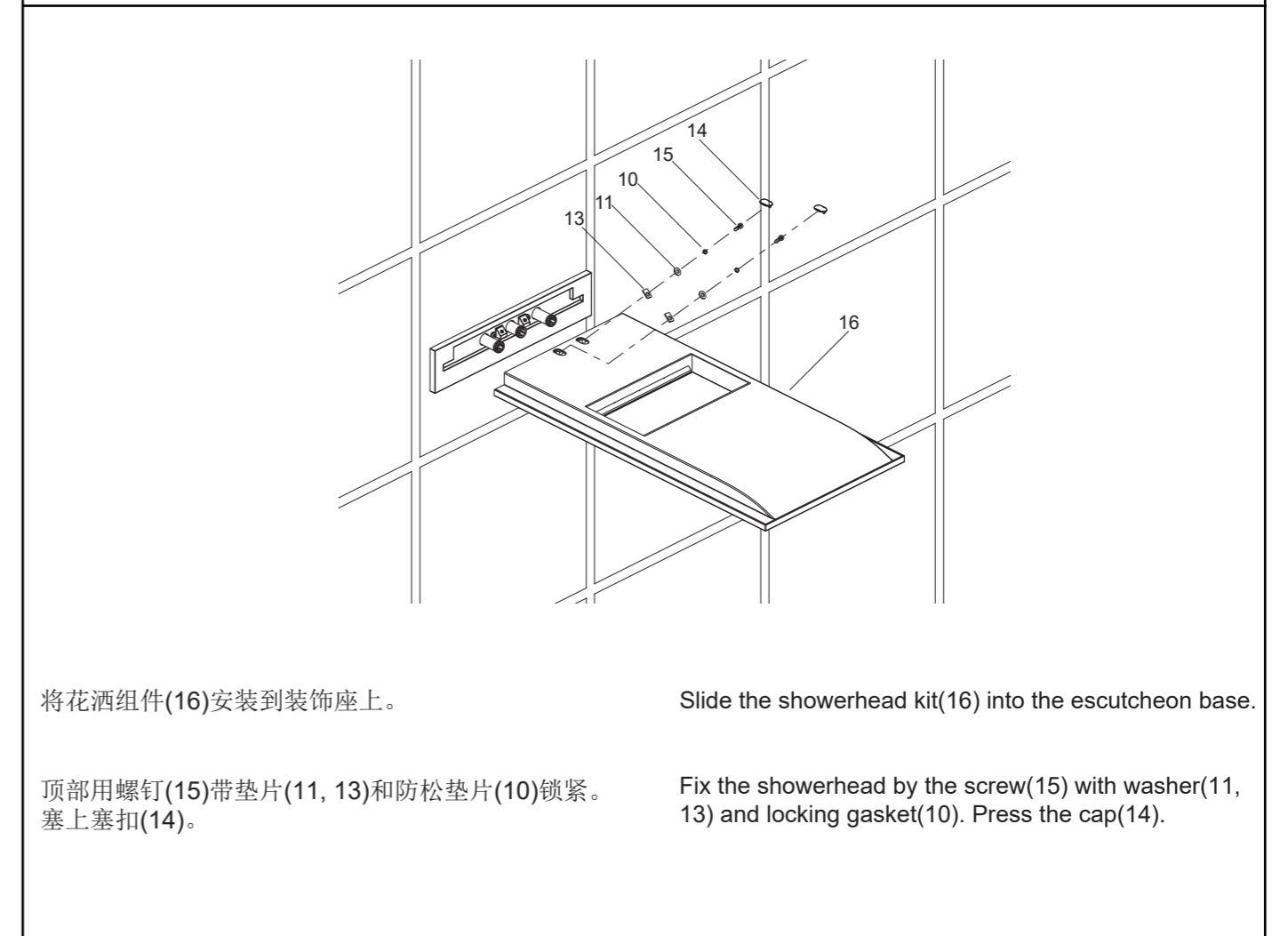


用扳手拧掉接头(7)，取出滤网垫片(8)，打开水源约一分钟，冲掉水管内的杂质。重新装回接头和滤网垫片。

将装饰座(9)套到底座上，使其贴紧墙壁，并用螺钉(12)带垫片(11)和防松垫片(10)锁紧。

Remove the connectors(7) by hex wrench, take off the filter washers(8). Flush water supplies for about one minute to remove debris. Reinstall the connectors and filter washers.

Slide the escutcheon base(9) on the connector until it is against the wall, tighten it by screw(12) with washer(11) and locking gasket(10).

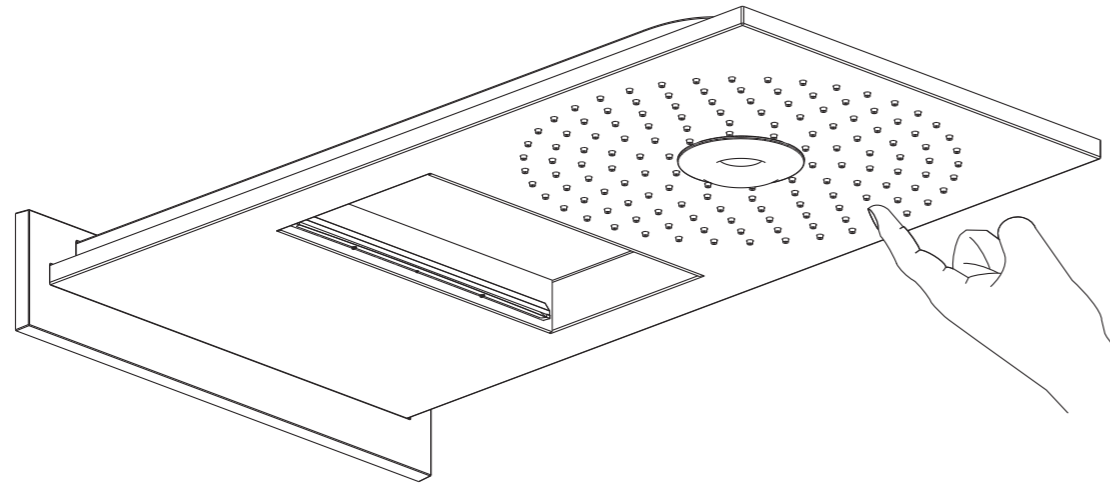


将花洒组件(16)安装到装饰座上。

顶部用螺钉(15)带垫片(11, 13)和防松垫片(10)锁紧。塞上塞扣(14)。

Slide the showerhead kit(16) into the escutcheon base.

Fix the showerhead by the screw(15) with washer(11, 13) and locking gasket(10). Press the cap(14).



如何维护保养花洒

喷头有杂质或结垢会导致水流变形，流量变小，甚至造成花洒漏水。如出现这些情况，请打开水源，用力按压或摩擦橡胶喷头，去除杂质或水垢。

How to Maintain the Showerhead

Any debris or water scale may cause distorted flow stream or reduce the flow rate, and even water leakage. If these happen, run water through the showerhead, and use fingers to press or rub firmly across the rubber nozzles to remove the debris or water scale.

安装结果检查

检查并确保所有的衔接螺母都已拧紧，确保把手在关的位置。

打开排水器和主要供水源，检查并修理有漏水的接口。

INSTALLATION CHECKOUT

Ensure that all connections are tight. Ensure that the handle is in the off position.

Turn on the drain and main water supply, and check for leaks. Repair as needed.

有害物质统计表

部件名称	有害物质名称					
	铅 (Pb)	汞 (Hg)	镉 (Cd)	六价铬 (Cr(VI))	多溴联苯 (PBB)	多溴二苯醚 (PBDE)
联结组件	×	○	○	○	○	○
出水组件	○	○	○	○	○	○
发电组件	○	○	○	○	○	○
发光组件	○	○	○	○	○	○
外壳组件	○	○	○	○	○	○
进水组件	×	○	○	○	○	○
安装组件	○	○	○	○	○	○

○：表示该有害物质在该部件所有均质材料中的含量均在GB/T 26572现行有效版本规定的限量要求以下。

×：表示有害物质至少在该部件的某一均质材料中的含量超出GB/T 26572现行有效版本规定的限量要求。

注：本表格提供的信息是基于供应商提供的数据及科勒公司的检测结果。

本产品应用环保设计理念，在当前技术水平下，所有有害物质的使用已经控制到了最低程度，科勒公司会继续努力通过改善现有技术来减少这些物质的使用。



本产品的“环保使用期限”为10年，科勒公司根据产品设计特性指定该期限。只有在本产品使用说明书所述的正常情况下使用本产品时，“环保使用期限”才有效。

Statistics of Contents of Toxic or Hazardous Substances or Elements

Part name	Toxic or Hazardous Substance or Elements					
	Lead (Pb)	Mercury (Hg)	Cadmium (Cd)	Hexavalent Chromium (Cr(VI))	Polybrominated biphenyls (PBB)	Polybrominated Diphenyl Ethers (PBDE)
Connection Assy.	×	○	○	○	○	○
Water Outlet Assy.	○	○	○	○	○	○
Generator Assy.	○	○	○	○	○	○
Lighting Assy.	○	○	○	○	○	○
Shell Assy.	○	○	○	○	○	○
Water Inlet Assy.	×	○	○	○	○	○
Mounting Assy.	○	○	○	○	○	○

○：Indicates that the substance in the material composition is below the high limits of the current requirements in GB/T 26572.

×：Indicates that at least one of the homogeneous substance in the material composition is below the high limits of the current requirements in GB/T 26572.

Note: the information provided is based on the supplier data and Kohler inspection results. The product is designed not to hurt the environment. Under current technology, all hazardous materials have been used in the smallest amounts possible. Kohler will strive to reduce the use of these hazardous materials used in this product.



The product “service life for environment protection” is 10 years; Kohler Company will specify product service life based on product characteristics. The product “service life for environment protection” is only effective when the product is used as described in the product specification.

清洗说明

适用于所有加工处理过的表面：以中性肥皂水清洗镀层表面，再以干净的软布彻底擦干整个表面，许多清洁剂，比如氨水、去污粉及洁厕灵等，会对电镀表面造成伤害，切忌使用。

有磨损性的清洁用具或清洁剂也不可适用于科勒牌的水龙头及其配件上。

CLEANING INSTRUCTIONS

All Finishes: Clean the finish with mild soap and warm water. Wipe entire surface completely dry with clean soft cloth. Many cleaners may contain chemicals, such as ammonia, chlorine, toilet cleaner etc. which could adversely affect the finish and are not recommended for cleaning.

Do not use abrasive cleaners or solvents on Kohler faucets and fittings.