

73061T-7 Single Handle Wall Mount Lavatory Faucet

BEFORE YOU BEGIN

All information is based on the latest product information available at the time of publication. Kohler Co. reserves the right to make changes in product characteristics, packaging, or availability at any time without notice.

Please leave these instructions for the consumer. They contain important information.

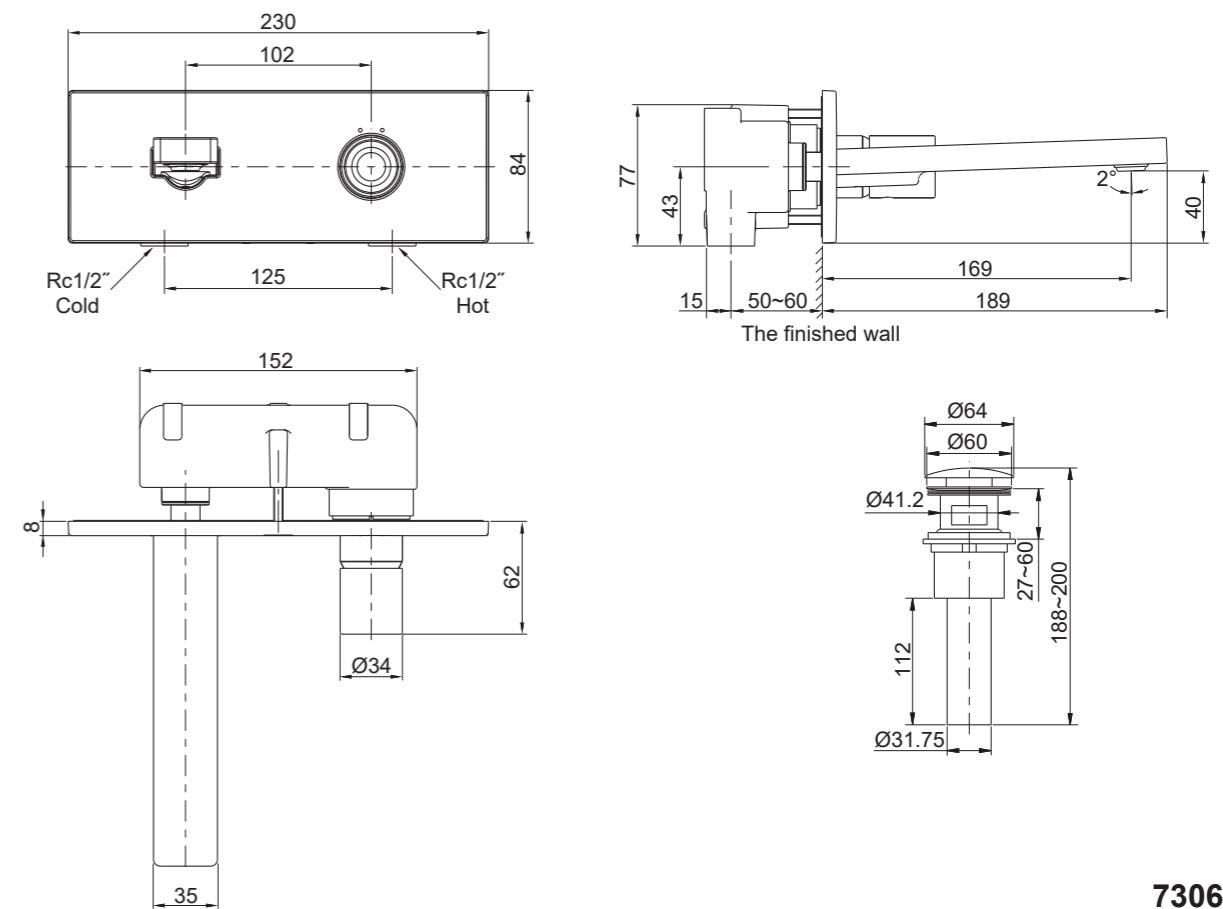
NOTES:

1. Flush the water supply pipes thoroughly to remove debris.
2. Inspect the supply tubing for damage. Replace as necessary.
3. Observe local plumbing codes.
4. Check for leaks before covering the pipes, repairs as needed.
5. **Inlet threads of body are Rc1/2".**
6. Please ensure only apply water pressure test on the product, and empty the air in pipe and faucet thoroughly before the test. Please ensure test pressure below 0.8MPa(8bar) and test duration within 30 minutes.

HANDLE OPERATION

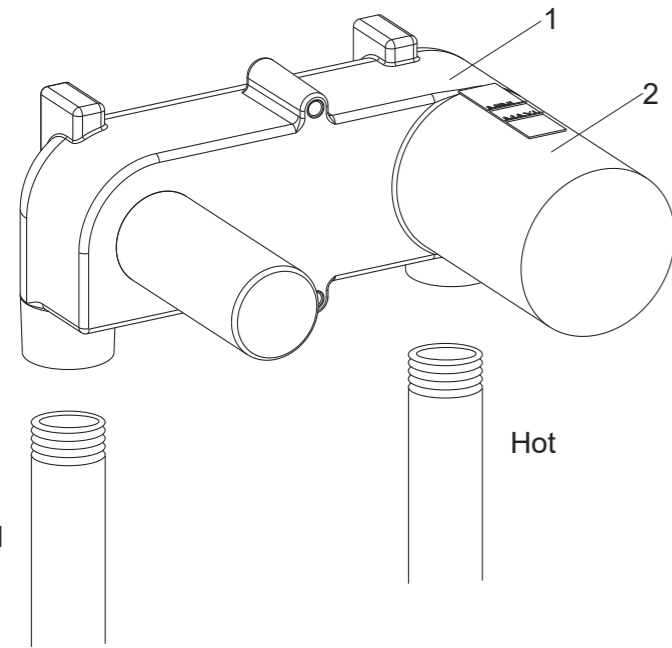
Lift the handle gently, turn clockwise for cold water, counter clockwise for hot water.

ROUGH-IN DIMENSIONS



73061T-7

INSTALLATION



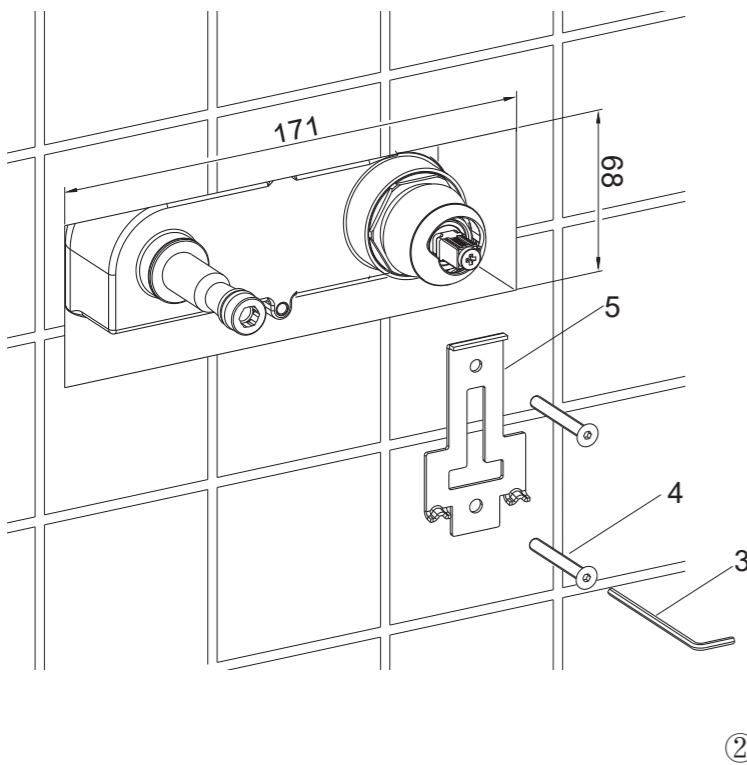
How to Install the Body

Determine where the valve body(1) will be located on the wall. Dig a suitable hole in the wall. Install the valve body into the hole. Be sure the protector(2) face front and the inlet of the valve body with red mark is on the right.

NOTE: Ensure the centerline of valve is vertical to the wall, the up plane of valve body is horizontal.

Connect R1/2" hot and cold supplies to the inlets of the valve body. Connect hot supply to the right with red mark. Connect cold supply to the other inlet.

① The out surface of the finished wall should be between the MAX and MIN marks on the protector(2). During installation, the protectors remain on the valve body.



How to Install the Handle and Spout

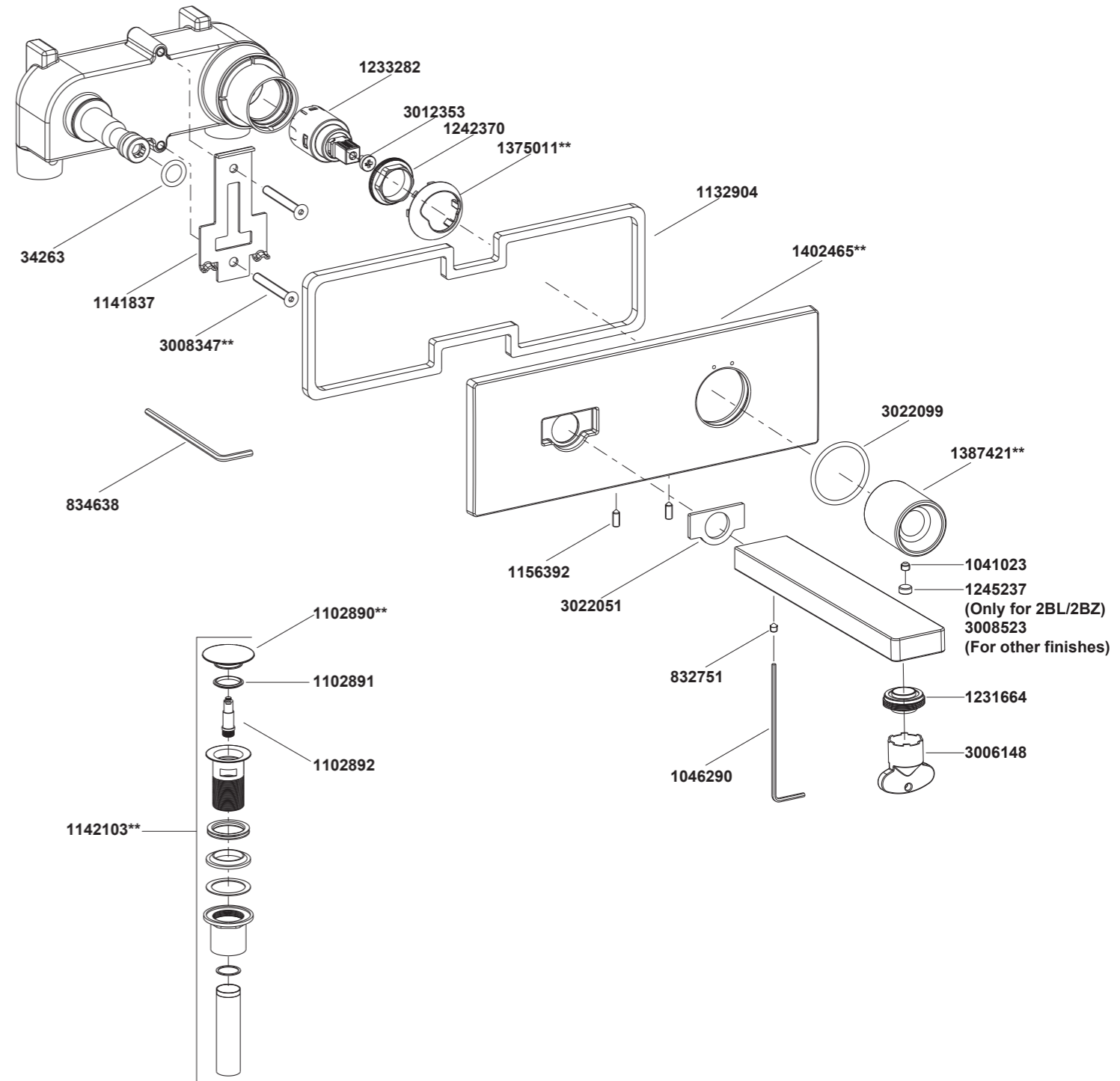
Remove the protectors after the wall is finished.

Tighten the screws(4) with 3mm hex wrench(3) to secure the mounting plate(5) until it is against the wall.

KOHLER
SERVICE PARTS

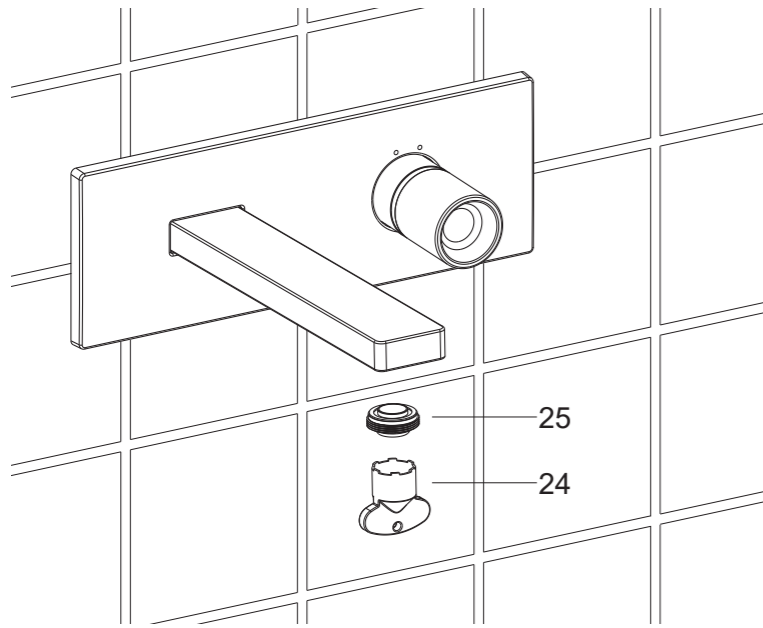
COMPOSED

73061T-7 Single Handle Wall Mount Lavatory Faucet



**Color code must be specified when ordering.

INSTALLATION CHECKOUT

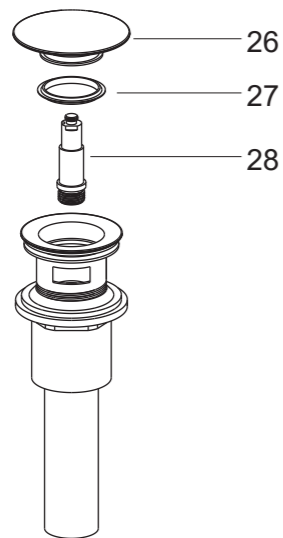


Ensure that all coupling nuts are tight. Ensure that the handle is in the off position.

Turn on the main water supply and drain, and check for leaks. Repair as needed.

Remove the aerator(25) by key(24). Run hot and cold water through faucet for about one minute to remove any debris.

Remove any debris from the aerator. Shut off the faucet. Reinstall the aerator.



Replacing the Washer and Piston Kit

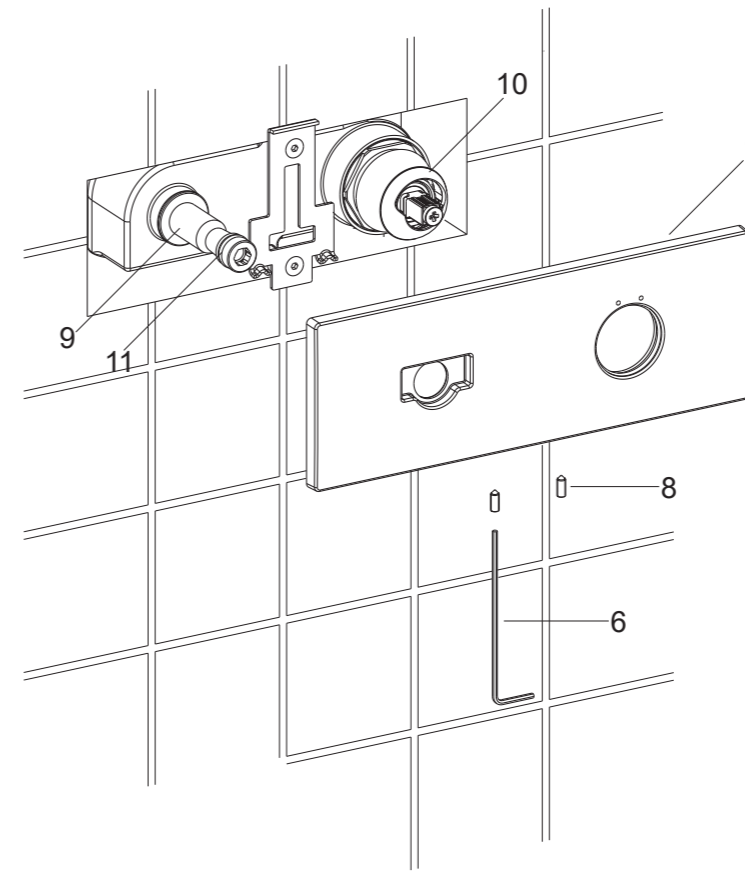
Turn counter clockwise to remove the stopper(26). Take out washer(27). Replace with a new one.

Turn counter clockwise to remove the piston kit(28). Replace with a new one. Reinstall stopper and washer.

CLEANING INSTRUCTIONS

All Finishes: Clean the finish with mild soap and warm water. Wipe entire surface completely dry with clean soft cloth. Many cleaners may contain chemicals, such as ammonia, chlorine, toilet cleaner etc, which could adversely affect the finish and are not recommended for cleaning.

Do not use abrasive cleaners or solvents on Kohler faucets and fittings.

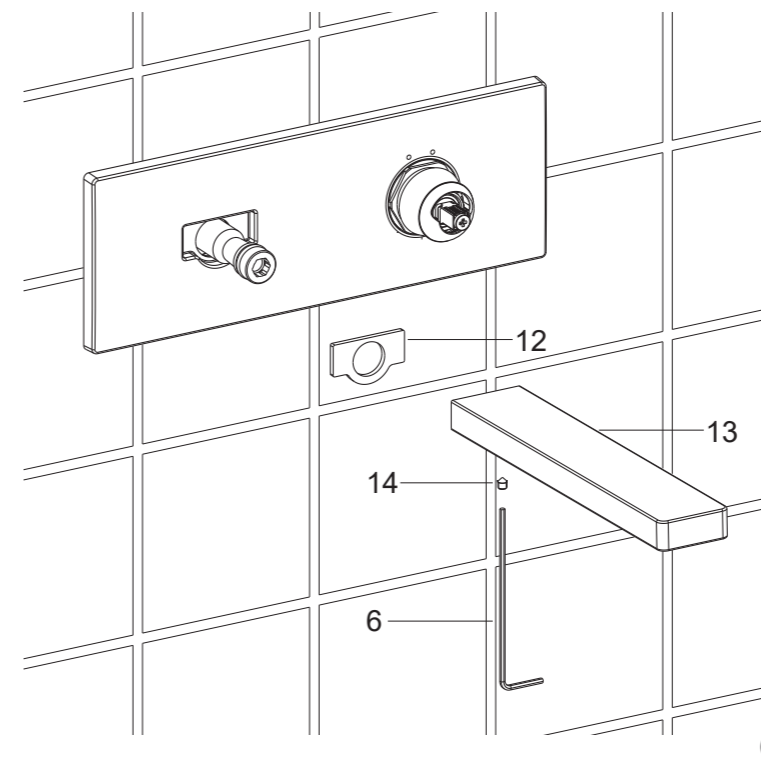


Loosen the screws(8) on the faceplate kit(7) with 2mm hex wrench(6).

Slide the faceplate kit through the connector(9) and bonnet(10) until it is against the wall. **NOTE:** Don't damage the o-ring (11) on connector.

Tighten the screws to secure the faceplate kit.

③



Slide the washer(12) into the groove on the faceplate kit.

Loosen the screw(14) in the spout(13) with 2mm hex wrench(6).

Slide the spout onto the connector with its outlet downwards. Tighten the screw to secure the spout.

④

