

73091T-4 Wall-mount Shower Faucet
73095T-4 Wall-mount Bath/Shower Faucet

BEFORE YOU BEGIN

All information is based on the latest product information available at the time of publication. Kohler Co. reserves the right to make changes in product characteristics, packaging, or availability at any time without notice.

Please leave these instructions for the consumer. They contain important information.

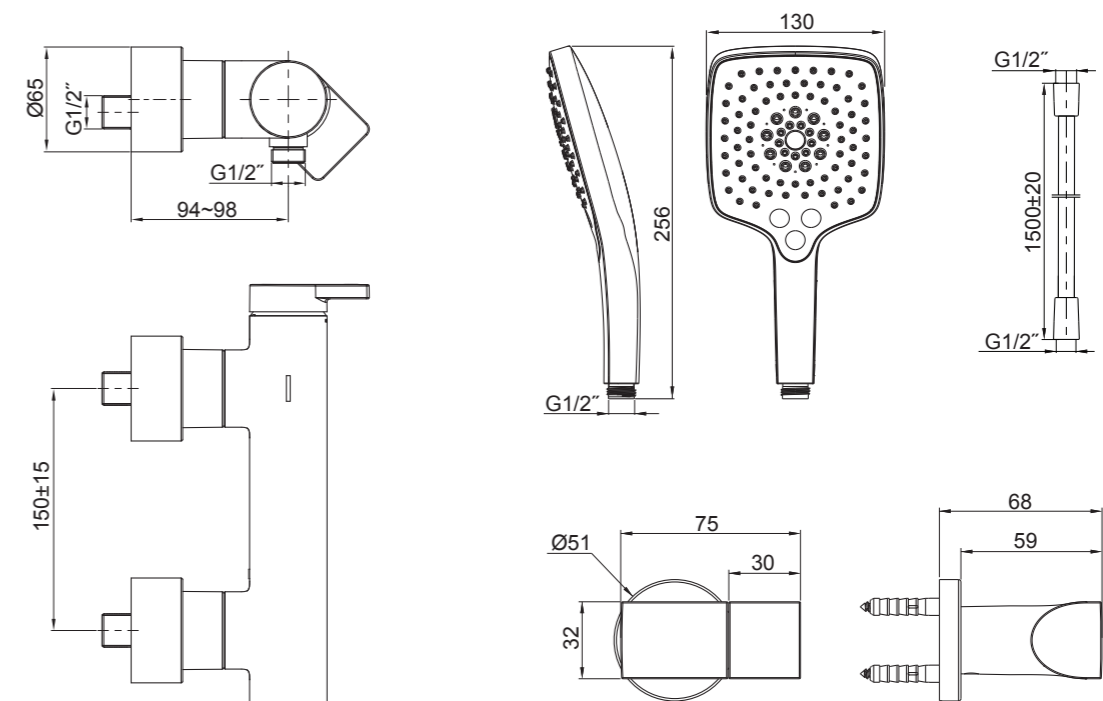
NOTES:

1. Flush the water supply pipes thoroughly to remove debris.
2. Inspect the supply tubing for damage and leakage. Replace and maintain as necessary.
3. Observe local plumbing codes.
4. The highest working pressure for handshower is 0.5MPa(5 bar). If it exceeds 0.5MPa(5 bar), a pressure reducer is needed. The highest water and environment temperature is 60°C. Please keep handshower, showerhead and the shower arm away from heater, or it may become damaged and cause injury to the user.

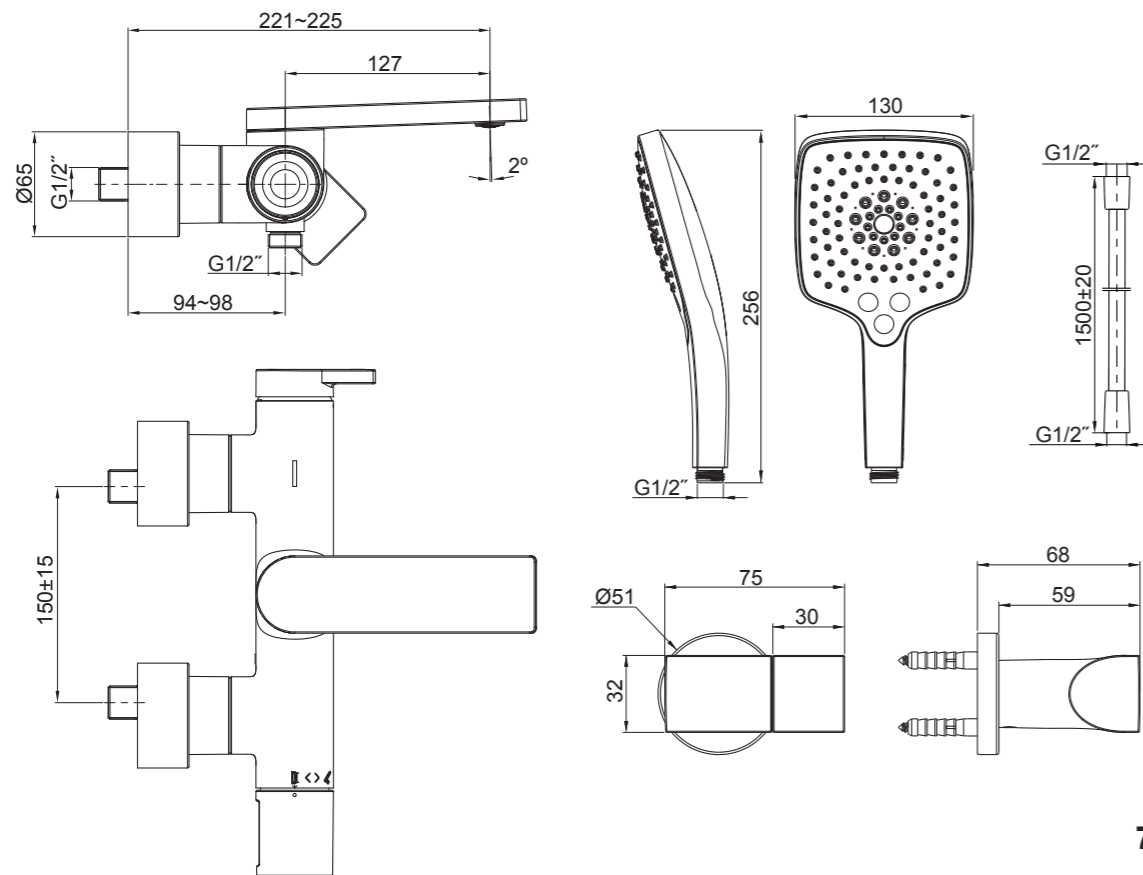
HANDLE OPERATION

Lift right handle gently. Turn clockwise for hot water, turn counter-clockwise for cold water. For 73095T, turn left handle clockwise for handshower, turn counter-clockwise for bath spout.

ROUGH-IN DIMENSIONS

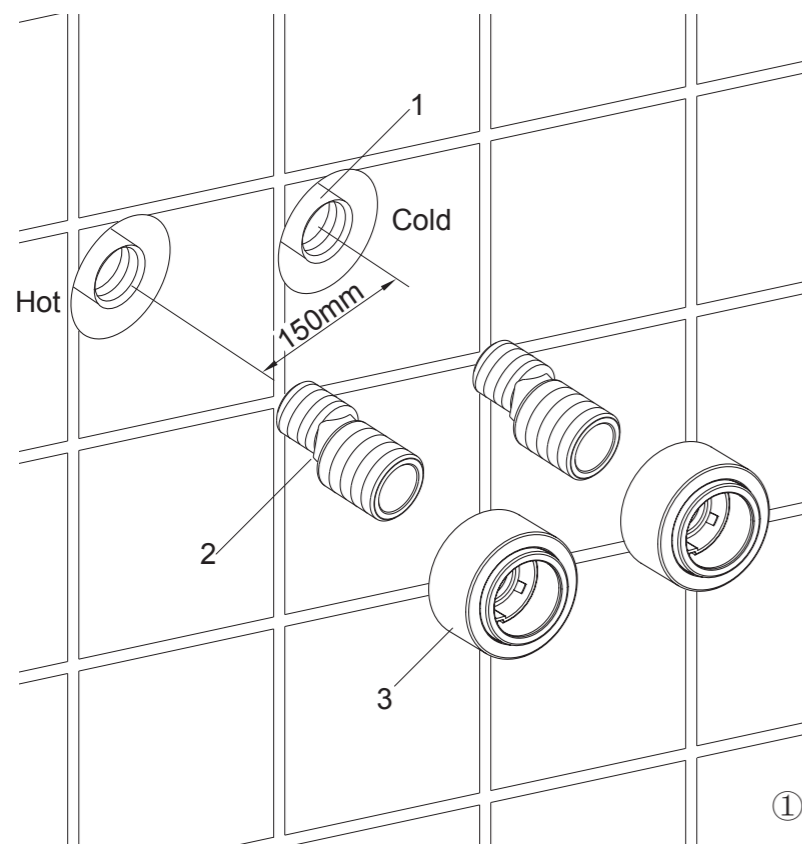


73091T-4



73095T-4

INSTALLATION



How to Install the Faucet

To perform installation, installer must provide G1/2" female supply fittings(1), spaced 150mm apart, horizontal and vertical to the finished wall.

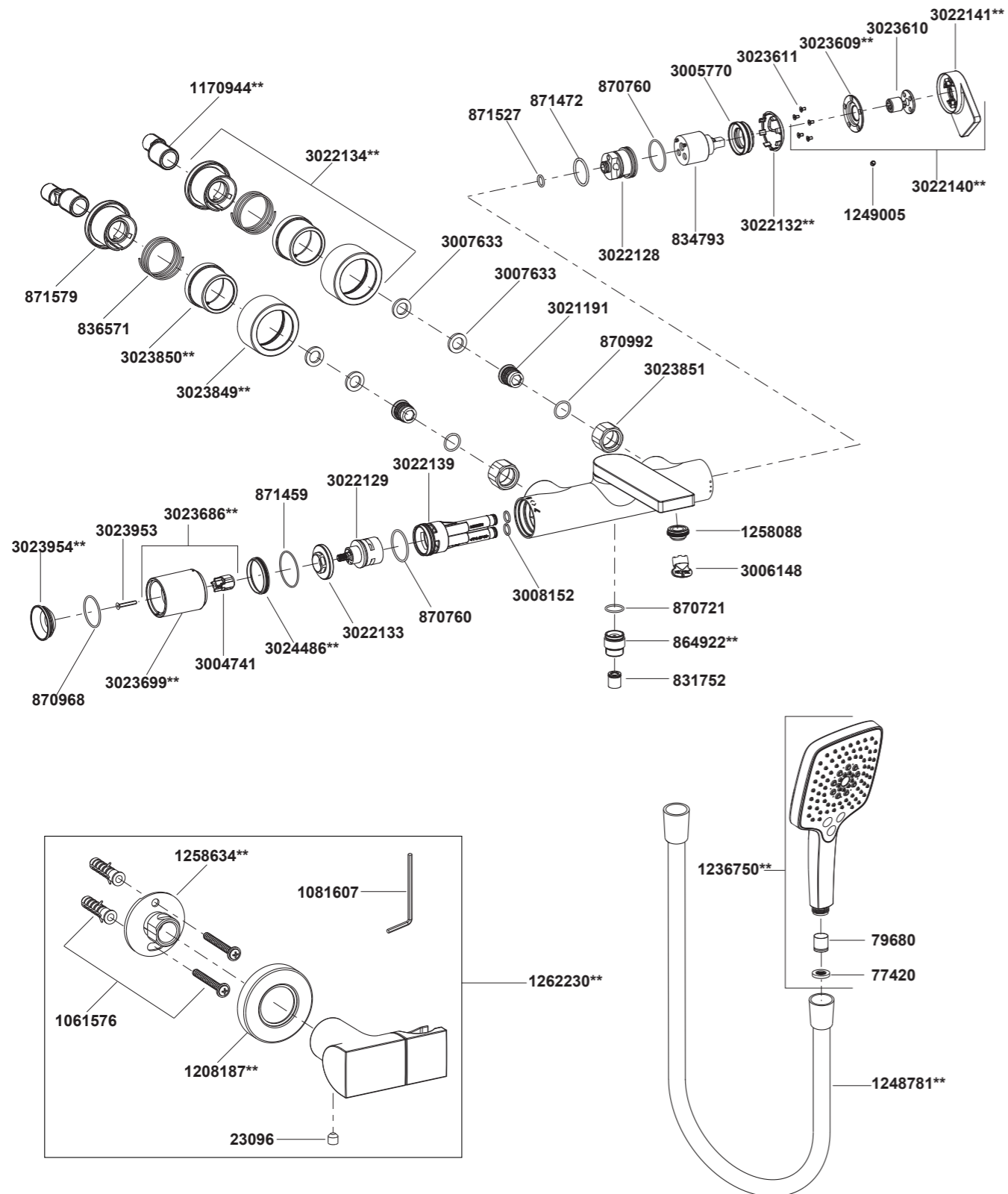
Flush the water supply pipes thoroughly to remove debris.

Apply enough tape or suitable sealant on threads of offset connectors(2). Install the two offset connectors into the hot and cold supply pipes.

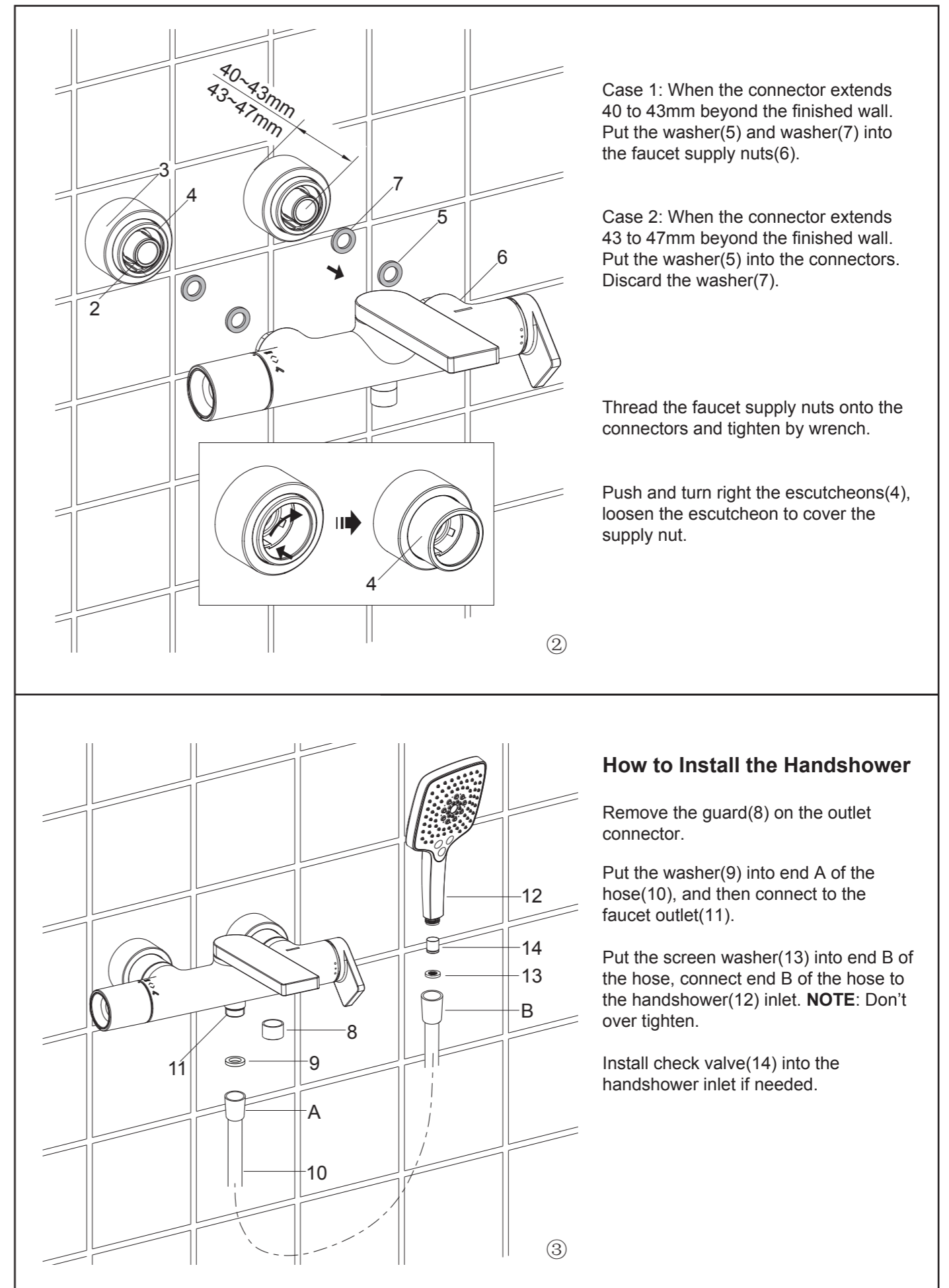
Adjust the center-to-center distance between the connectors to 150mm and horizontal. They should extend 40 to 47mm beyond the finished wall.

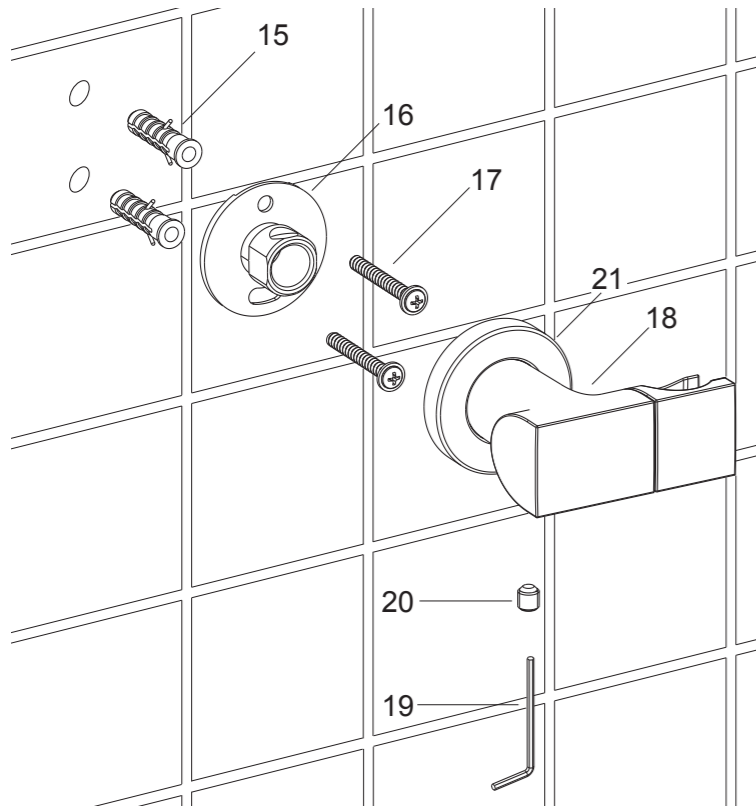
Thread the escutcheon kits(3) onto the offset connectors(2) until they are against the finished wall.

73095T-4 Wall-mount Bath/Shower Faucet



**Color code must be specified when ordering.





How to Install the Bracket

Determine a suitable location on the finished wall to install the bracket, make sure it should avoid buried cables and pipes in the wall.

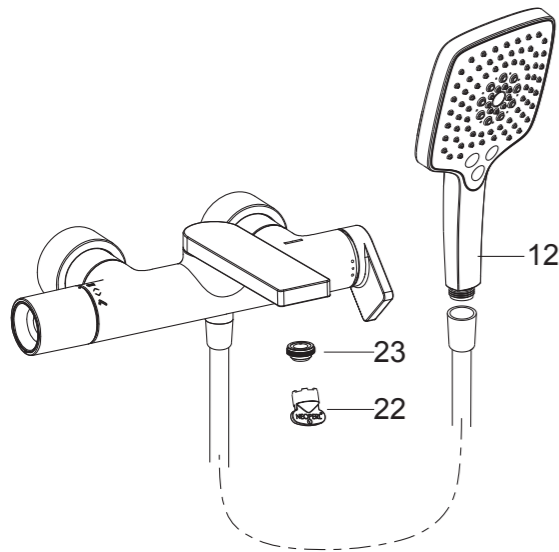
Mark bracket base(16) mounting holes locations on the wall according to the dimension. Drill two holes in the finished wall, the holes should match the anchors(15) and be vertically. Install the anchors. Tighten screws(17) to fix bracket base on the finished wall.

NOTE: The bracket base direction as shown.

Loosen the screw(20) in the bottom of the bracket(18) with the hex wrench(19), make the bracket can be installed. Apply a ring of plumber putty or other sealants around the underside of the bracket escutcheon(21). Put the bracket with escutcheon onto the bracket base and lock them by screw and hex wrench. Remove any excess putty or sealant.

④

INSTALLATION CHECKOUT



Ensure that all coupling nuts are tight. Ensure that the handle is in the off position.

Turn on the main water supply, and check for leaks. Repair as needed.

For 73095T, remove the handshower(12). Remove the aerator(23) by key(22). For 73091T, remove the handshower.

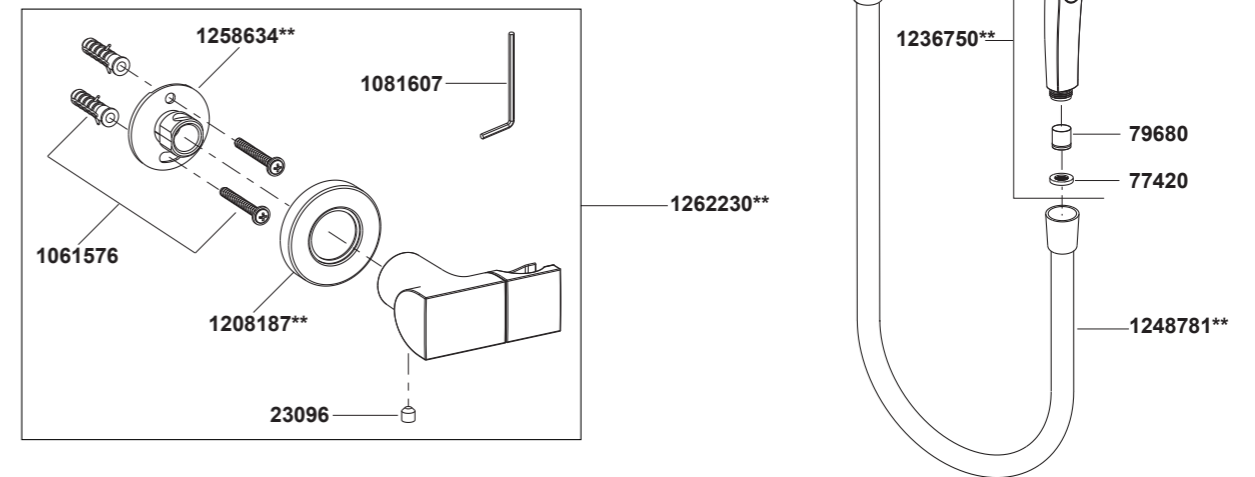
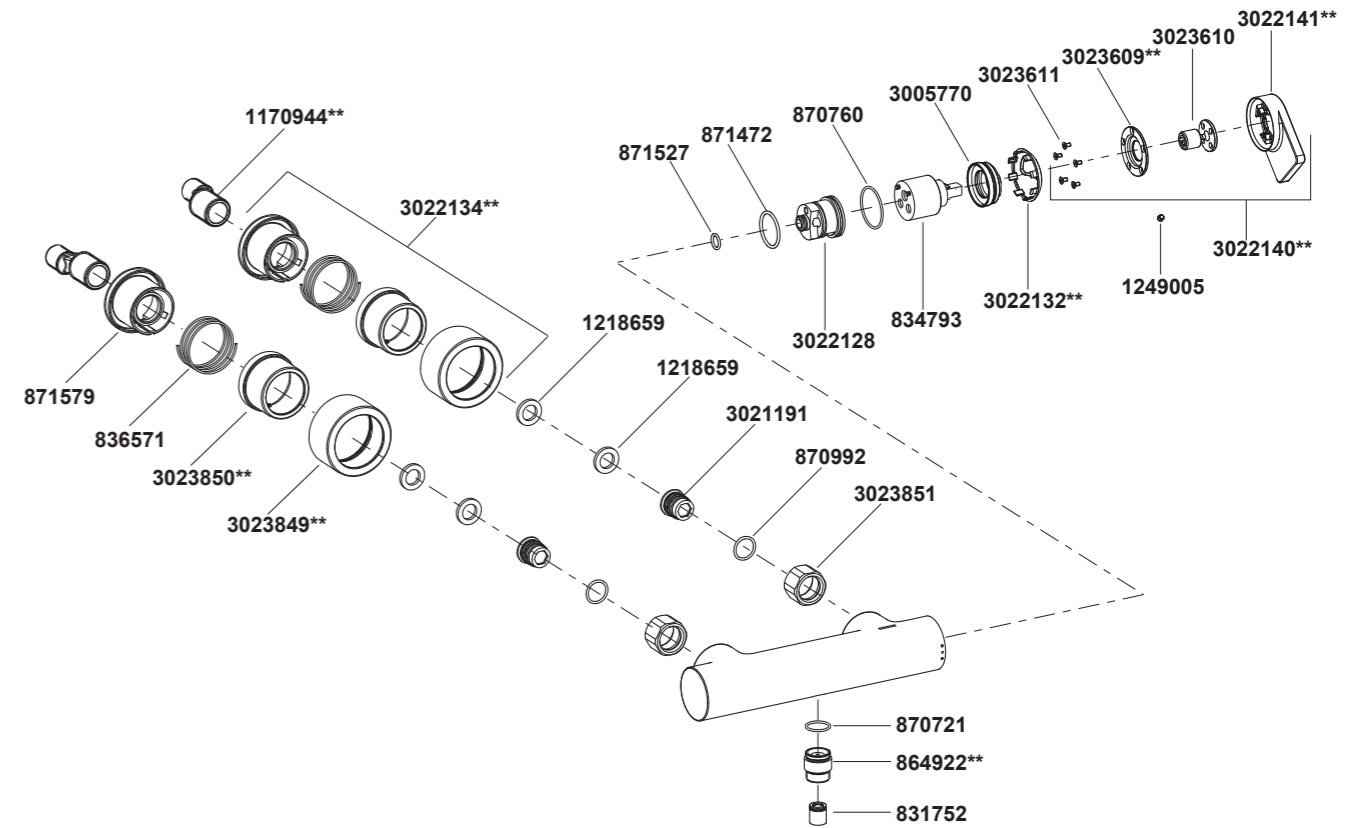
Run hot and cold water through the faucet for about one minute to remove any debris. Check for leaks. Remove any debris from the aerator assembly. Shut the faucet off, and reinstall the aerator assembly and handshower.

CLEANING INSTRUCTIONS

All Finishes: Clean the finish with mild soap and warm water. Wipe entire surface completely dry with clean soft cloth. Many cleaners may contain chemicals, such as ammonia, chlorine, toilet cleaner etc. which could adversely affect the finish and are not recommended for cleaning.

Do not use abrasive cleaners or solvents on Kohler faucets and fittings.

73091T-4 Wall-mount Shower Faucet



**Color code must be specified when ordering.