

INSTALLATION

How to Install the Shower Column

Select a location in vertical wall to install shower column according to rough-in dimensions.

Drill the lower hole as anchors(1) diameter and lower base(3-1) position in the finished wall(**NOTE:** The arrow in the base is upward). Press anchors into the hole, secure the base by the screws(2).

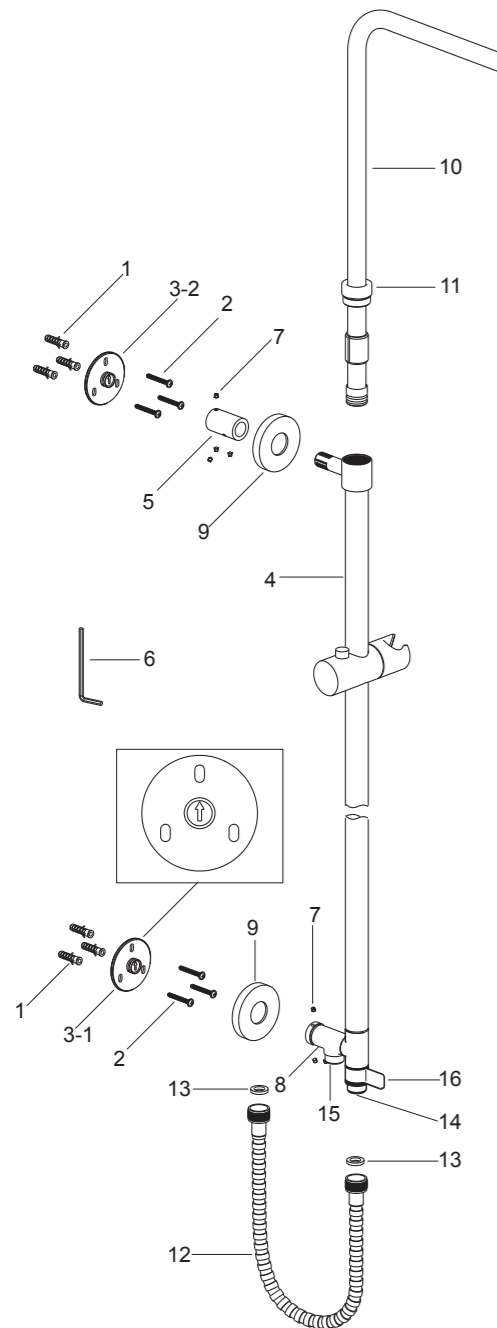
Rehearse the shower column kit(4) installation for the upper base(3-2) mounting location determination. Slide the tube joint(5) onto the shower column kit, and connect them to the base(**NOTE:** The arrow in the base is upward). Install the screws(7) into the tube joint with the hex wrench(6), and tighten them.

Place the shower column and the body against the finished wall. Connect the lower base and the diverter body kit(8). Position and tighten them by hex wrench. Mark the hole of upper base(3-2) with a pencil. Uninstall the shower column kit and tube joint(**NOTE:** Don't lose the screws.)

Drill holes on the mark. Press the anchors into the holes. Secure the upper base(3-2) by the screws. Install the tube joint(5) to the base(3-2) and tighten them by screws. Reinstall the shower column kit with escutcheons (9) to the bases. Tighten the screws with the hex wrench. Screw the escutcheons with the bases until against the finished wall.

Install the tube kit(10) into the shower column kit. Install the nut(11) onto the tube kit with soft cloth between internal hole of the nut and the tube kit. Then screw the nut onto the shower column kit with strap wrench or soft cloth between the nut and regular wrench.

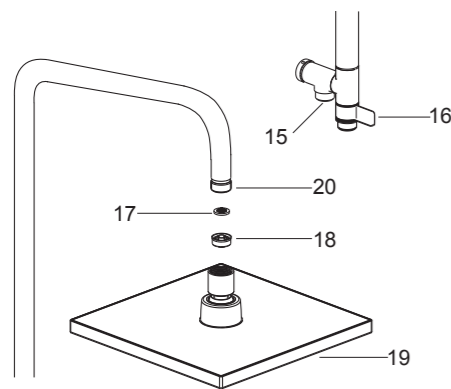
Connect the hose(12) with washers(13) between the mixer water supply and the connector(14). The connector(15) will be used for handshower connection.



How to Install the Showerhead

Ensure the diverter handle(16) is in the position for showerhead(19), run hot and cold water for about one minute to remove any debris before the showerhead is installed.

Take out the washer(17) and install the regulator(18) into the showerhead inlet if needed, then reinstall the washer as shown. Tighten the showerhead onto the tube kit outlet(20) with strap wrench.

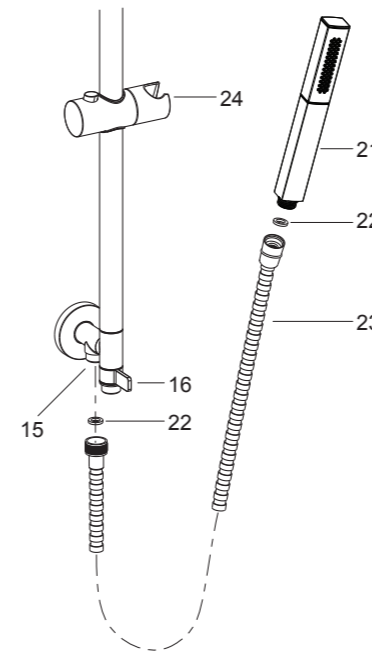


How to Install the Hand Shower(Only for 76633T)

Ensure the diverter handle(16) is in the position for hand shower(21), run hot and cold water for about one minute to remove any debris before the hand shower is installed.

Put the washers(22) in each end of the hose(23). Connect the hand shower and the connector(15) with hose.

Hang the hand shower into the shower bracket(24).



HANDLE OPERATION

Turn the diverter handle counter-clockwise, the handshower works; turn it clockwise, showerhead works.

INSTALLATION CHECKOUT

Ensure that all connections are tight. Ensure that the handle is in the off position.

Open the drain. Turn on main water supply and check for leaks. Repair as required.

CLEANING INSTRUCTIONS

All Finishes: Clean the finish with mild soap and warm water. Wipe entire surface completely dry with clean soft cloth. Many cleaners may contain chemicals, such as ammonia, chlorine, toilet cleaner etc. which could adversely affect the finish and are not recommended for cleaning.

Do not use abrasive cleaners or solvents on Kohler faucets and fittings.