

BEFORE YOU BEGIN

安装之前

- Please read these instructions carefully to familiarize yourself with the required tools, materials, and installation sequences. Follow the sections that pertain to your particular installation. This will help you avoid costly mistakes. In addition to proper installation, read all operating and safety instructions.
- All information in these instructions is based upon the latest product information available at the time of publication. Kohler China reserves the right to make changes in product characteristics, packaging, or availability at any time without notice.
- These instructions contain important care, cleaning, and warranty information-**please leave instructions for the consumer.**
- Kohler quartz top is mainly made from good quality natural quartz sand mixed with other auxiliary materials. It uses high-molecular polymer as adhesive and is manufactured with special process.
- Turn off the water supply.
- The plumbing installation must comply with Water Supply Regulations/Bye-laws, Building Regulations or any particular regulations and practices, specified by the local water company or water undertakers. The installation should be carried out by a plumber.
- Kohler cabinets use agglomerated quartz top. The radioactivity is lower than national standard of class A interior decoration material ($I_{Ra} \leq 1.0, I_r \leq 1.3$).
- Before installation carefully inspect the new fixture for any signs of damage.
- This product complies with GB 24977-2010.
- 请仔细阅读本指引，以便熟悉所需工具、物料及安装程序。请遵照适用的章节来安装本产品，以免安装失当导致不必要的损失。除了有关正确的安装方法之外，还务请详阅所有操作及安全指引。
- 本指引所载之一切资料，均以印刷时所有之最新产品情况为基础，科勒中国保留权利随时更改产品特性、包装或供应情况，恕不另行通知。
- 本指引也包含了有关保养、清洁及担保等重要资料-请交予用户保存。
- 科勒石英石台面是以优质天然石英砂为主要原料再加其他辅料按一定比例混合，用高分子聚合物为粘合剂，经特定的工艺加工而成的人造石饰面板材。
- 关闭供水。
- 管道安装必须遵循当地所有给排水、建筑或者其他的特别规定。管道安装人员必须具备相应资格。
- 科勒浴室家具配套人造石英石台面，其放射性均低于国标A类装修材料标准($I_{Ra} \leq 1.0, I_r \leq 1.3$)。
- 安装之前，仔细检查新产品是否有损伤。
- 本产品符合GB 24977-2010。

SAFETY WARNINGS

Kohler products are precision-engineered and should give continued superior and safe performance, provided:

1. They are installed, commissioned, operated and maintained in accordance with the recommendations given in this Manual.
2. Periodic attention is given, as necessary, to maintain the product in good functional order. Recommended guidelines are given in the **MAINTENANCE** section.

Carefully inspect the new fixture for any signs of damage.

When installing Kohler products, manufacturer's guide lines for power tool safety must be followed.

安全警告

科勒产品经过精确制造，性能卓越，经久耐用。为保证产品质量，您必须：

- 1.按照此手册中推荐的方法进行安装、起动、操作及维护。
- 2.如有需要，定期检查，令产品保持良好性能状态。日常维护章节中列有推荐方法。

仔细检查新产品是否有损伤。

在安装科勒产品时，必须遵循制造商相关电动工具的安全的指令。

KOHLER CHINA INVESTMENT CO., LTD NO.158, JIANG CHANG SAN ROAD,
JING'AN DISTRICT, SHANGHAI, PRC POST CODE: 200436
科勒(中国)投资有限公司 上海市静安区江场三路158号 邮编: 200436

ROUGHING-IN

尺寸图

Reference Value
参考值

UNIT : mm
单位: 毫米

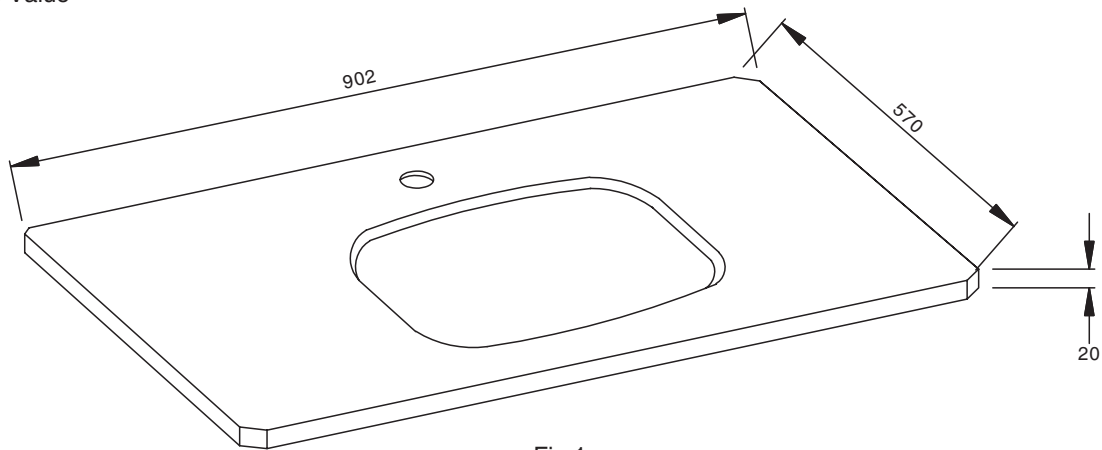


Fig.1
图1

Kohler reserves the right to change marked dimensions without prior notice.
科勒公司保留随时变更图中标示尺寸的权利，无需另行通知。

INSTALLATION

安装

1. Fix the countertop

Take out the hardware supplied (see Service Parts Page) and check the quality of service parts.
Align the 4 screw holes on back of the countertop with the 4 fixing holes on the cabinet. Fix screw rods and washers with allen wrench to connect the countertop and the cabinet (see the picture below).

1. 固定台面

取出台盆配套五金包(见维修零件图)核对固定配件的数量：
将台面反面的4个螺杆孔对准柜体上部的4个固定孔，用配套内六角扳手固定螺杆和垫片，使明仕台面和柜体连成一体(见下图)。

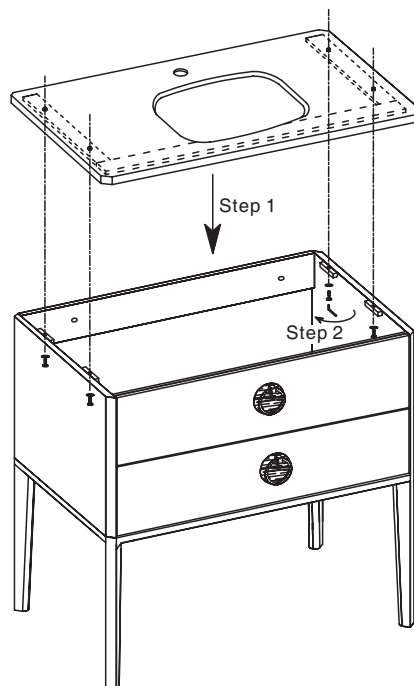


Fig.2
图2

2. Fix the faucet

Fix the faucet through the basin hole and connect the supply pipe and drainage pipe.

2. 固定龙头

通过台盆孔先固定好配套的水龙头，并接好龙头的上下水。

3. Fix the drain

Fix the drain on the basin.

3. 台盆安装落水

将配套的台盆预先固定好落水。

4. Fix the lavatory

Put the basin onto the countertop hole. Rotate or move the basin to make the Kohler logo at the center. Apply silicone sealant where the countertop connects the basin to fix it.

4. 固定台盆

将固定好落水的台盆放入台面对应的盆孔上，旋转或稍稍移动台盆，如果台盆有Kohler Logo使其处于中心位置。最后在台盆与台盆接触的地方打上玻璃胶，固定并使其密封。

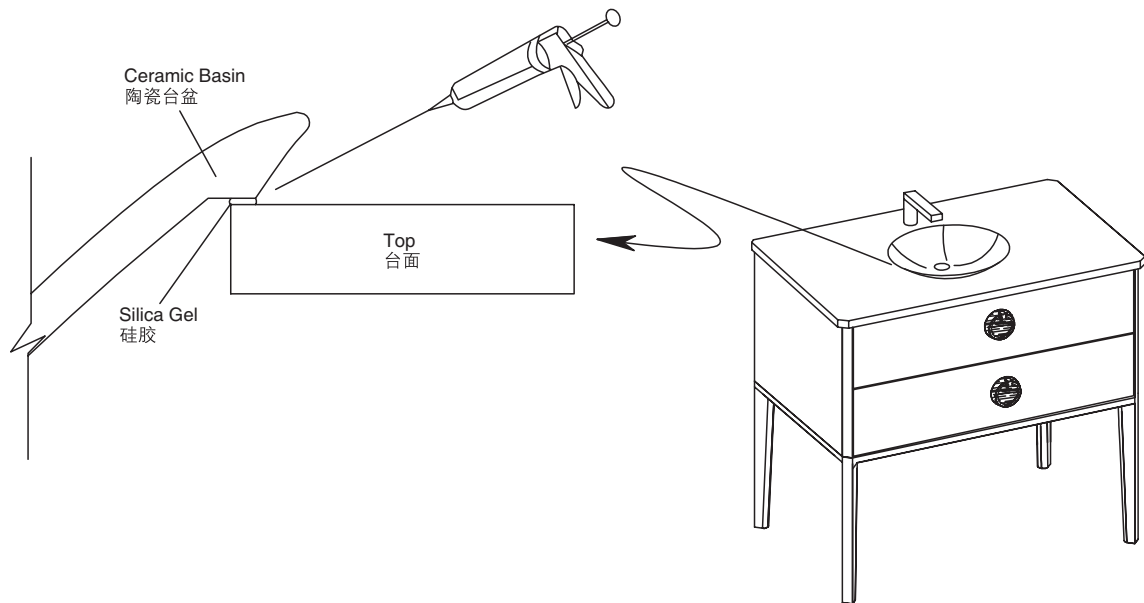


Fig.3
图3