

### BEFORE YOU BEGIN

- Thank you for choosing the products of Kohler. Kohler craftsmanship offers you a rare combination of proven performance and graceful sophistication that will satisfy you for years to come. The quality and dependability of your Kohler toilet seat will surpass your highest expectations. We're very proud of our products here at Kohler and we know you will be too.
- Please take a few minutes to study this manual. Pay special attention to the Care and Cleaning instructions.
- All information in this manual is based upon the latest product information available at the time of publication. At Kohler, we constantly strive to improve the quality of our products. We reserve the right to make changes in product characteristics, packaging or availability at any time without notice.
- This product complies with JC/T764-2008.

### 安装之前

- 感谢您选择科勒公司产品。科勒的精湛工艺为您提供优异性能和雅致外形相结合的完美产品，将使您对今后的使用感到满意。科勒座便器盖板的优异性能和质量将超出您的期望。我们为科勒产品感到骄傲，您一定会有同样的感受。
- 请仔细阅读此手册。并请特别注意保养和清洁指南。
- 此手册中所有信息均来源于此手册发表时最新产品的信息。科勒公司将一如既往地致力于提高产品质量。科勒公司保留随时更改产品规格、包装、或者供货的权利，恕不另行通知。
- 本产品符合JC/T764-2008。

### ORDERING INFORMATION

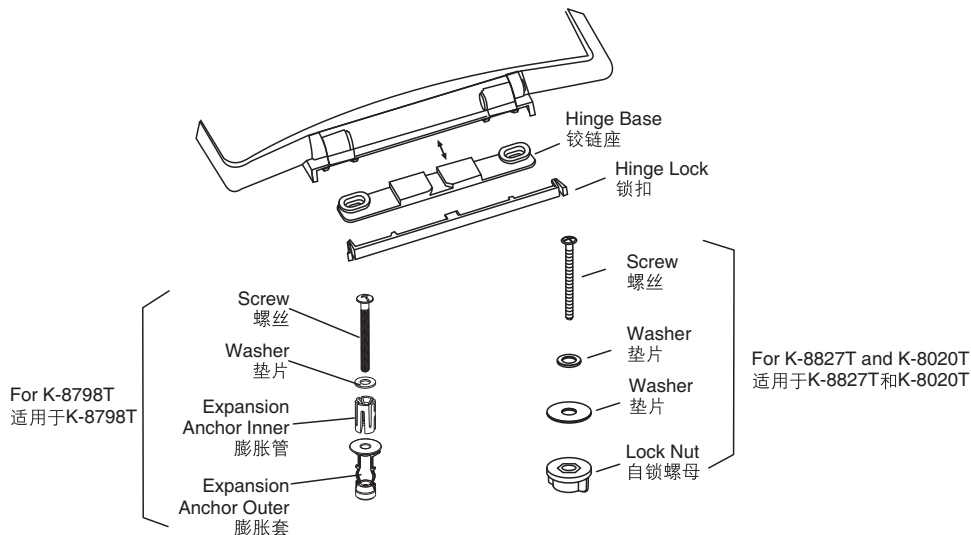
PRESQU'ILE Quiet-Close Toilet Seat.....K-8798T  
Quiet-Close Toilet Seat .....K-8827T  
Toilet Seat .....K-8020T

### 订购信息

佩斯格缓降座便器盖板 .....K-8798T  
欧款缓降座便器盖板 .....K-8827T  
欧款座便器盖板(净雅版).....K-8020T

### INSTALLATION

### 安装



- Fix the hinge onto the bowl with screws.
- Insert the seat into the hinge base.
- Insert the hinge lock.


- 用螺栓将铰链座固定在陶瓷件上。
- 将盖板插入铰链座。
- 插上锁扣。


KOHLER CHINA INVESTMENT CO., LTD NO.158, JIANG CHANG SAN ROAD,  
JING'AN DISTRICT, SHANGHAI, PRC POST CODE: 200436  
科勒(中国)投资有限公司 上海市静安区江场三路158号 邮编: 200436

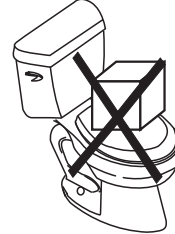
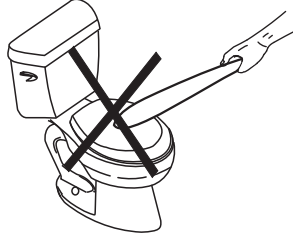
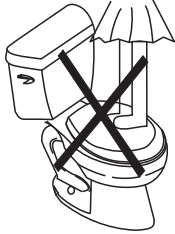
## IMPORTANT CONSUMER INFORMATION 用户须知

### Important Notice for Care, Cleaning and Daily Use

### 清洗保养和日常使用注意事项

 **CAUTION: Risk of product damage.** Do not stand, knock or stack heavy stuffs on the toilet seat. The weight could damage the toilet seat.

 **注意：小心产品受损。** 座便器上禁止踩踏、敲击或堆叠重物以防超重导致盖板受损。



Clean the outside surface of your toilet seat with mild soap, such as liquid dish soap and warm water. Wipe the entire surface completely dry with a clean soft cloth. Do not use any abrasive cleaners, as they will scratch and dull the surface. Avoid any detergents, disinfectants, or cleaning products in aerosol cans. Avoid contact with abrasive chemicals and cosmetics, such as fingernail polish and aftershave, as they may damage the finish of your toilet seat. Do not use detergent with strong acidic or strong alkaline property to prevent possible damage to hinge of seat.

请使用温和的皂液清洁座便器盖板外侧，例如洗洁精加温水。然后用干净的软布擦干。不要使用任何磨损性的清洗剂，它们会划伤表面，使表面失去光泽。避免使用任何气雾类清洁剂，消毒剂清洁产品。避免与磨损性的化学品和化妆品接触，诸如指甲油和须后水，因为它们可能破坏座便器盖板的表面。请勿使用强酸性或强碱性清洁剂以免腐蚀铰链装置。

If the surface becomes excessively dirty, please use a general purpose cleaner.

如果盖板表面很脏，请使用一般性的洗涤剂。

Take care with seat open and close. Overforce may crush the seat.

使用盖板时轻开轻放，以免冲力过大使盖板破损。

Avoid direct exposure to strong light such as ultraviolet lamp.

避免强光源如紫外灯直射或烘烤。

