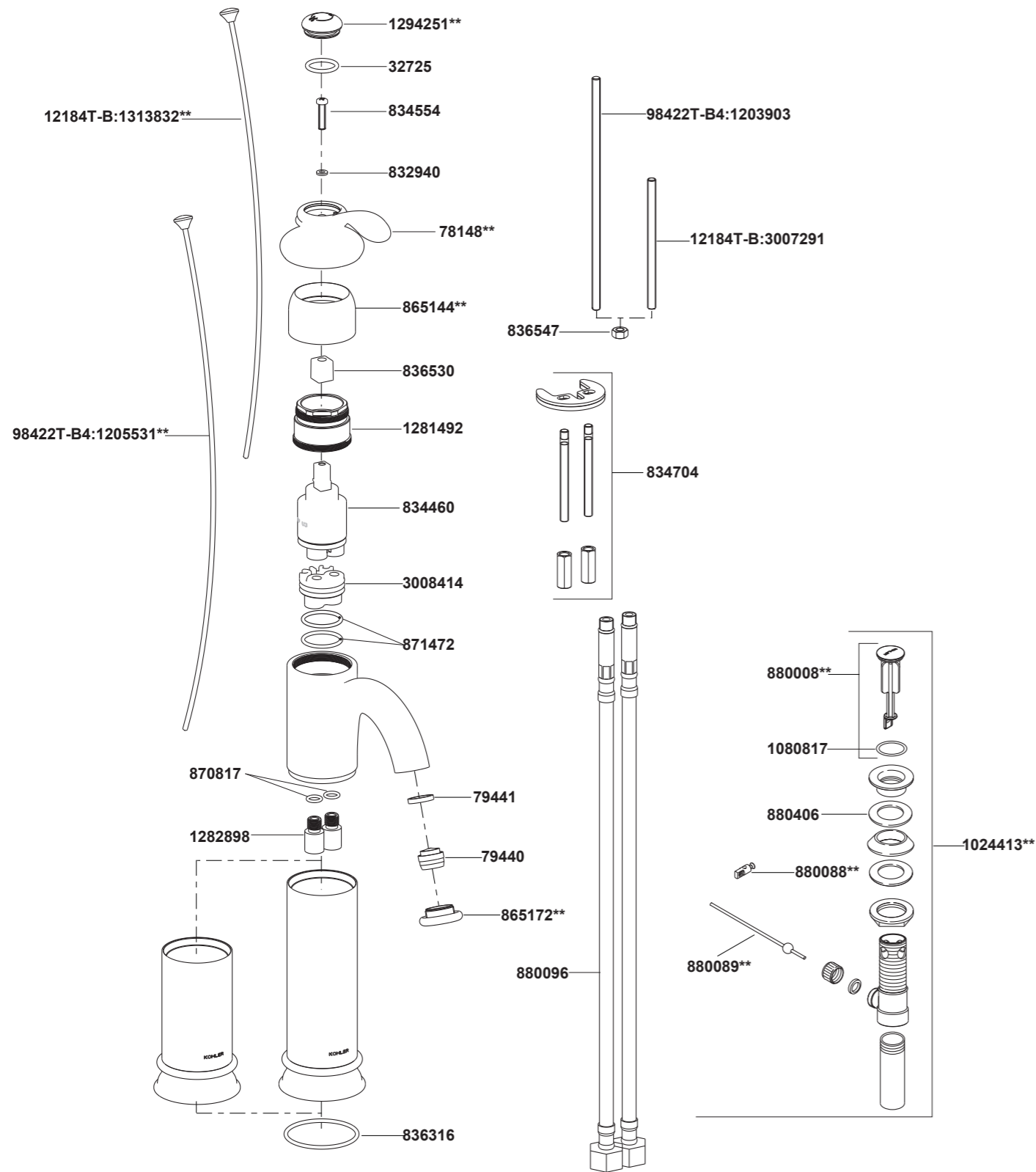


12184T-B Single Lever Tall Lavatory Faucet
 98422T-B4 Single Lever Super Tall Lavatory Faucet



**Color code must be specified when ordering.
NOTE: For all Asia pacific regions (excluding China) add SP (SPxxxxxx**) in front of the part number when ordering.

12184T-B Single Lever Tall Lavatory Faucet
 98422T-B4 Single Lever Super Tall Lavatory Faucet

BEFORE YOU BEGIN

All information is based on the latest product information available at the time of publication. Kohler Co. reserves the right to make changes in product characteristics, packaging, or availability at any time without notice. Please leave these instructions for the consumer. They contain important information.

NOTES:

1. Flush the water supply pipes thoroughly to remove debris.
2. For new installations, assembly faucet and drain to lavatory before installing lavatory.

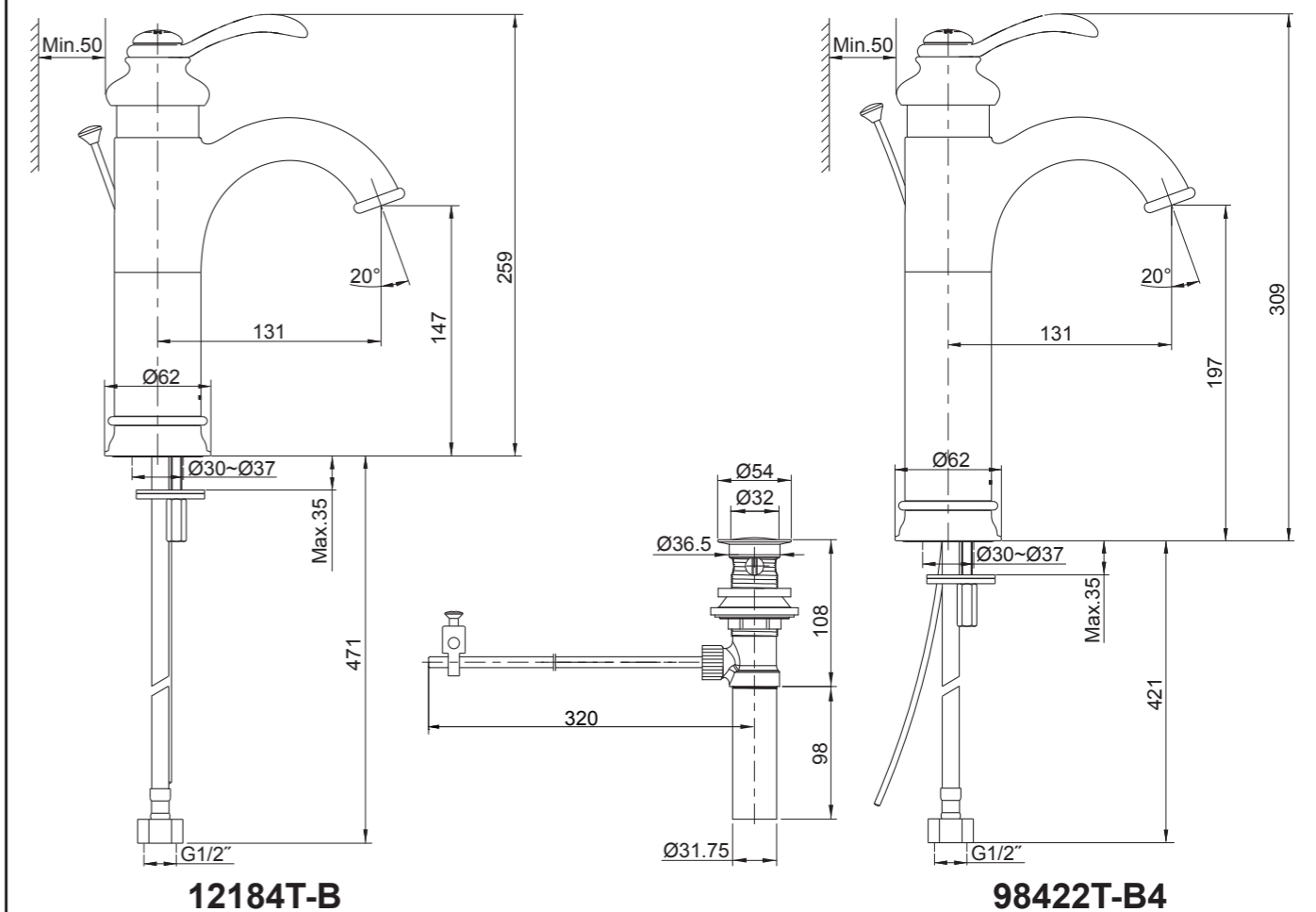
STANDARD APPLICABLE

Special model meets or exceeds the following at date of manufacture: TIS

HANDLE OPERATION

Lift the handle gently. Turn clockwise for hot water, counter-clockwise for cold water.

ROUGH-IN DIMENSIONS



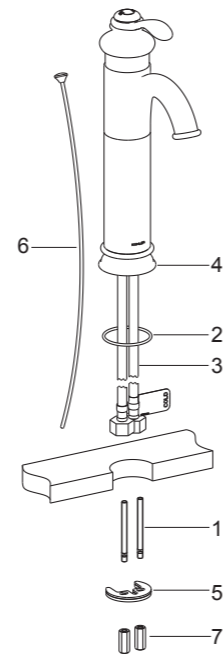
INSTALLATION

How to Install the Faucet

Insert the lift rod(6) into the hole of faucet. Screw the thread studs(1) to the holes of the faucet bottom. Put the o-ring(2) into the bottom of the escutcheon(4) of the faucet through the flexible hoses(3) and mounting studs. Insert the hoses and lift rod(6) into the hole of the lavatory.

Position the faucet. From underside of the lavatory, fit the brackets(5) on the thread studs and secure the faucet by tightening two nuts(7).

Attach the hoses to water supplies. The right hose with "COLD" label connects to cold water. The other hose connects to hot water.



How to Install the Drain

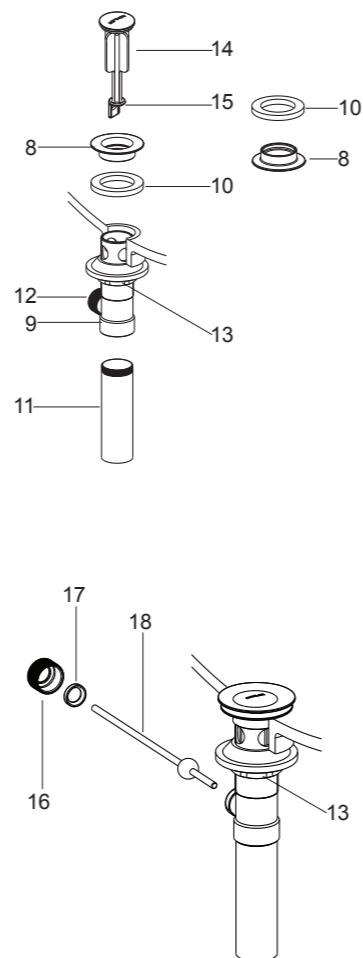
Remove stopper(14), flange(8) and washer(10) from drain body(9). Take off the tailpiece(11). Apply thread tape to tailpiece and install the tailpiece to drain body. Insert drain body kit into the lavatory from underside, and make sure the drain lever hole(12) facing to the back of the lavatory. Screw the flange with washer into the drain body. Tighten the locknut(13) by hand from the underside of the fixture.

NOTE: If needed, apply a ring of plumbers putty around the underside of the drain flange(8), instead of using washer(10).

Place stopper(14) into drain body aligning the flat side of stopper hole(15) with the drain lever hole.

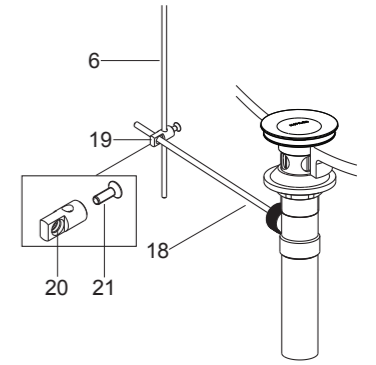
Remove the retaining nut(16). Fit the plastic washer(17) and retaining nut onto the ball lever(18). Insert the ball lever assembly into the drain lever hole and through the stopper hole. Tighten the retaining nut.

Be sure that the ball lever(18) points to the back of the lavatory, tighten the locknut(13) on the drain body by wrench.



NOTE: Do not reposition the drain if plumbers putty applied after the locknut is tightened, or you may break the putty seal. Wipe away excess plumbers putty.

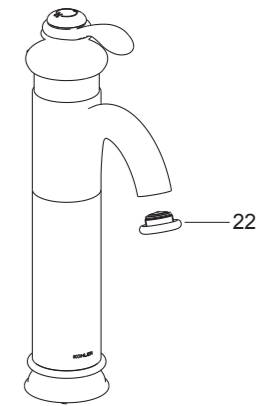
Insert the ball lever(18) into the bigger hole(20) of the latch(19). Insert the lift rod(6) into the other hole of latch. Push the ball lever rod down to the open position, and adjust the lift rod. Tighten the screw(21) on the latch.



INSTALLATION CHECKOUT

Ensure all coupling nuts are tight. Ensure that handle is in the off position. Turn on main water supply and check for leaks. Repair as required.

Remove aerator assembly(22). Turn faucet handles on and run hot and cold water through spout for about one minute to remove any debris. Check for leaks at this time. Rinse the aerator assembly to remove any debris. Shut faucet off and reinstall aerator assembly.



CLEANING INSTRUCTIONS

All Finishes: Clean the finish with mild soap and warm water. Wipe entire surface completely dry with clean soft cloth. Many cleaners may contain chemicals, such as ammonia, chlorine, toilet cleaner etc. which could adversely affect the finish and are not recommended for cleaning.

Do not use abrasive cleaners or solvents on Kohler faucets and fittings.