

98827T-4CD Cold Water Lavatory Faucet
99448T-4CD Cold Water Tall Lavatory Faucet

BEFORE YOU BEGIN

All information is based on the latest product information available at the time of publication. Kohler Co. reserves the right to make changes in product characteristics, packaging, or availability at any time without notice.

Please leave these instructions for the consumer. They contain important information.

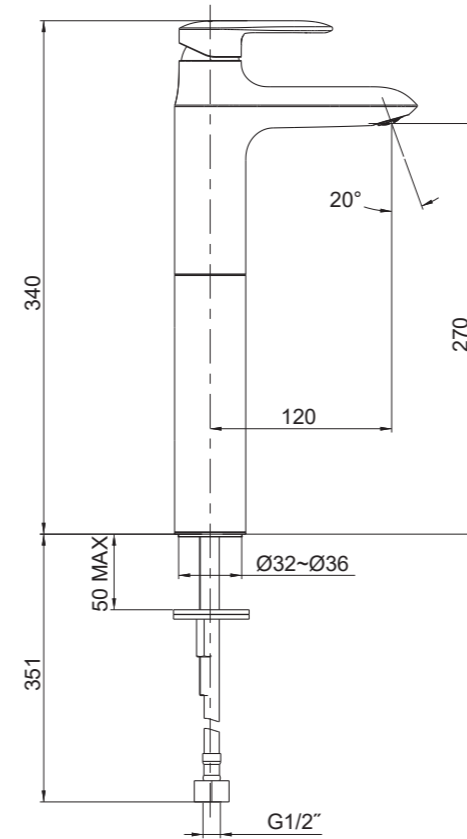
NOTES:

1. Flush the water supply pipes thoroughly to remove debris.
2. If possible, install this faucet before installing the lavatory.
3. Inspect the supply tubing for damage and leakage. Replace and maintain as necessary.
4. Observe local plumbing codes.
5. Shut off the water supplies to the fitting.

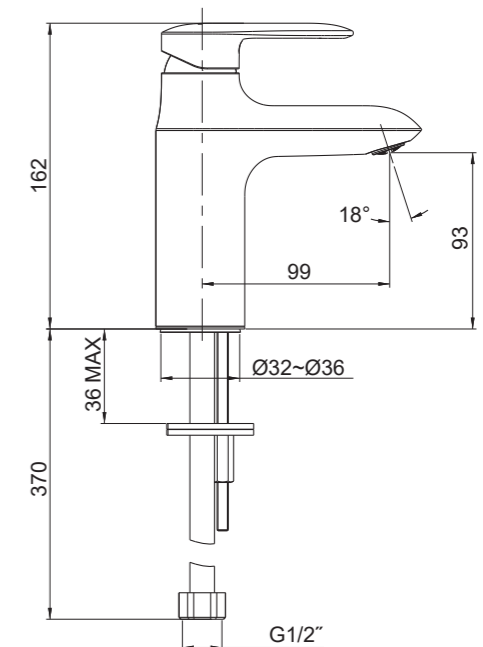
STANDARD APPLICABLE

Special model meets or exceeds the following at date of manufacture: TIS

ROUGH-IN DIMENSIONS



99448T-4CD



98827T-4CD

*Dimensions are approximate.
 *Unit: mm

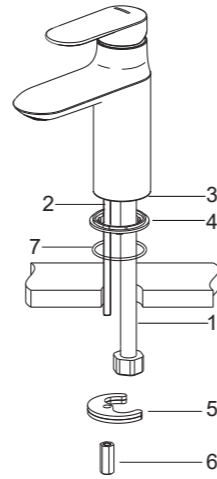
INSTALLATION

How to Install the Spout

Install the mounting stud(2) onto the bottom(3) of the faucet. Put O-ring(7) onto the backside of the base(4). Install the base into the underside groove of faucet body through the hose(1) and mounting stud.

Insert the faucet assembly into the lavatory hole. Position the faucet. From underside of the lavatory, place the bracket(5, Rubber washer is on the top) onto the mounting stud, and secure the faucet with the nut(6).

Attach the hose to water supply.

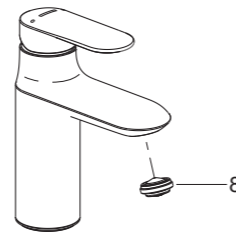


INSTALLATION CHECKOUT

Ensure that all connections are tight. Ensure that the handle is in the off position. Turn on the drain and main water supply, and check for leaks. Repair as needed.

Remove the aerator kit(8) by coin. Turn on the faucet. Run water through the faucet for about one minute to remove any debris.

Check for leaks. Repair as needed. Remove any debris from the aerator kit. Shut off the faucet. Reinstall the aerator kit.

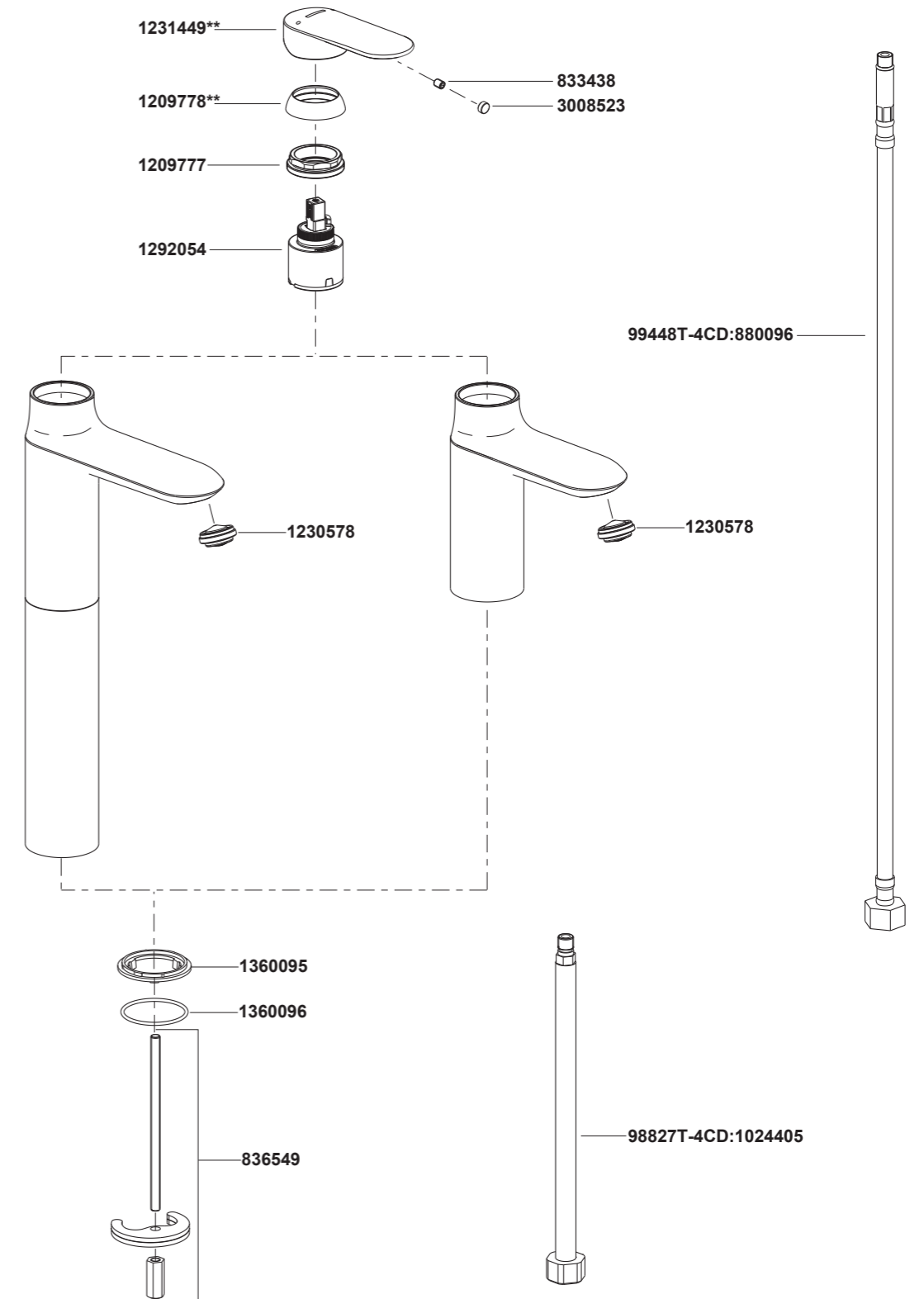


CLEANING INSTRUCTIONS

All Finishes: Clean the finish with mild soap and warm water. Wipe entire surface completely dry with clean soft cloth. Many cleaners may contain chemicals, such as ammonia, chlorine, toilet cleaner etc, which could adversely affect the finish and are not recommended for cleaning.

Do not use abrasive cleaners or solvents on Kohler faucets and fittings.

98827T-4CD Cold Water Lavatory Faucet
99448T-4CD Cold Water Tall Lavatory Faucet



**Color code must be specified when ordering.

NOTE: For all Asia pacific regions (excluding China) add SP (SPxxxxxx**) in front of the part number when ordering.