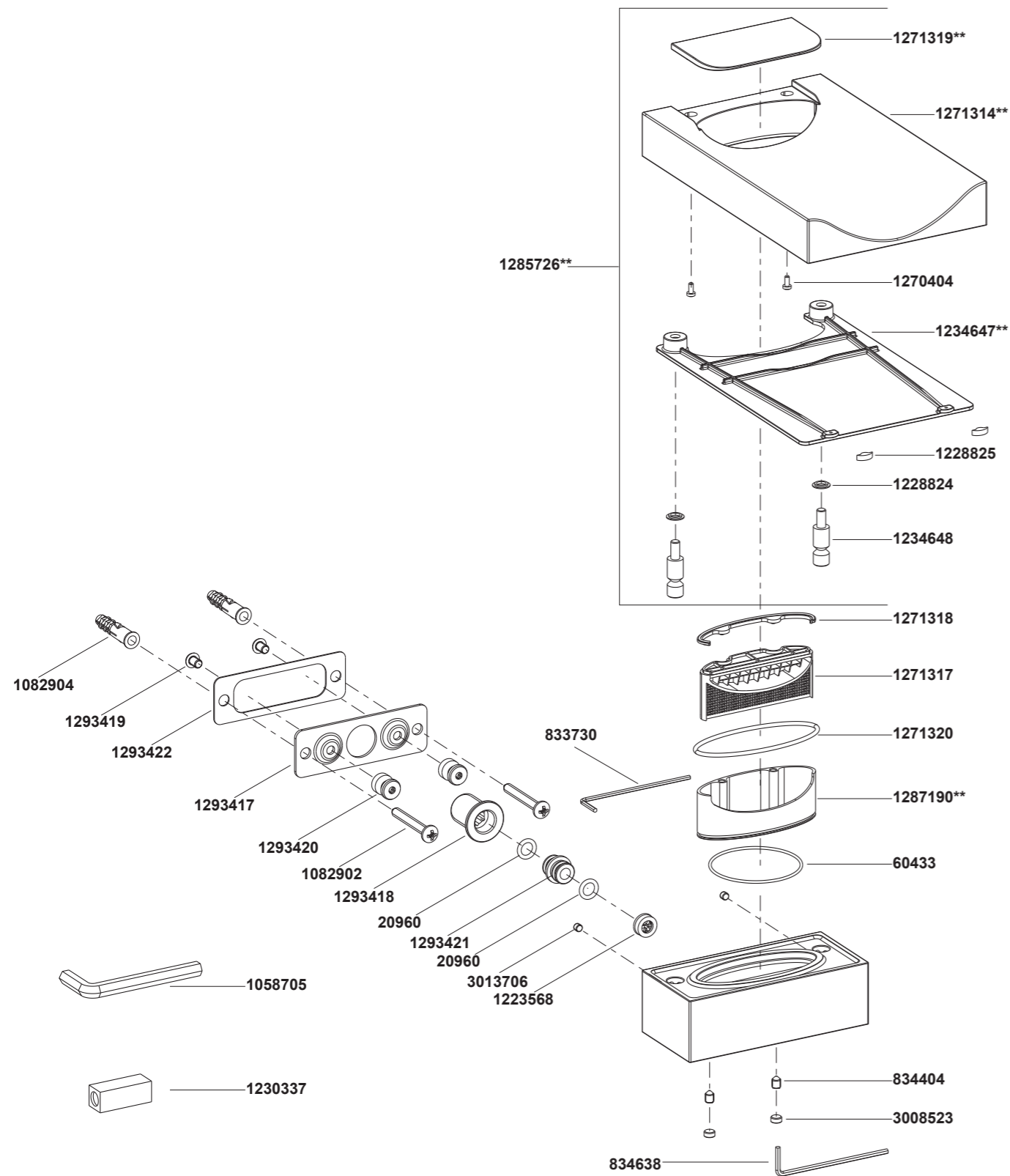


99860T Bath Spout



**Color code must be specified when ordering.

99860T Bath Spout

BEFORE YOU BEGIN

All information is based on the latest product information available at the time of publication. Kohler Co. reserves the right to make changes in product characteristics, packaging, or availability at any time without notice.

Please leave these instructions for the consumer. They contain important information.

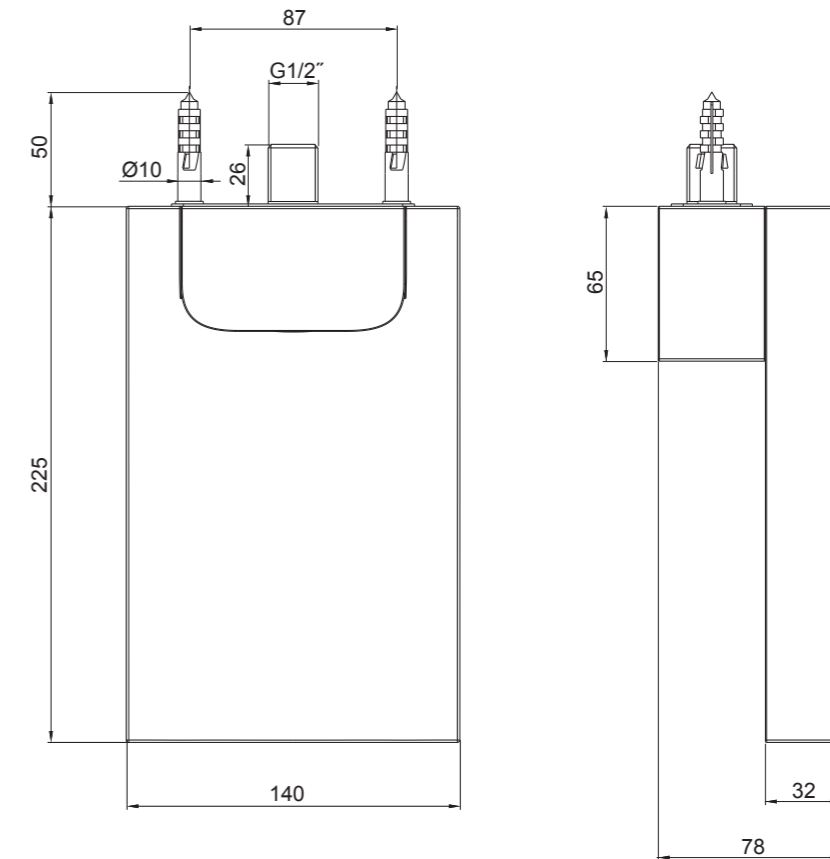
NOTES:

1. Flush the water supply pipes thoroughly to remove debris.
2. Shut off the water supplies to the fitting.
3. Observe local plumbing codes.
4. Maximum working pressure for spout: 0.5Mpa(5 bar).

DANGER: Risk of personal injury.

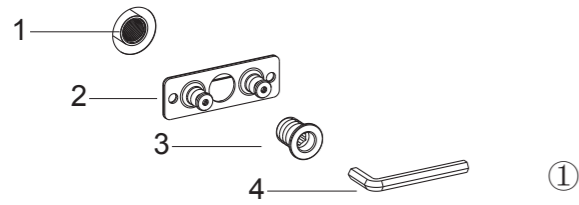
This product can not be used as a shelf or support bar. The misoperation may damage the product, and even cause personal injury.

ROUGH-IN DIMENSIONS



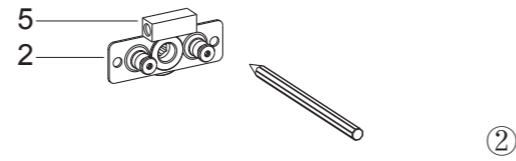
99860T

INSTALLATION

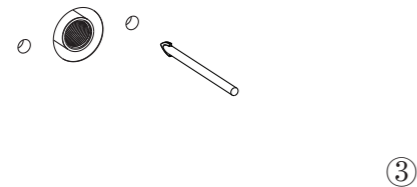


To perform installation, installer must provide G1/2" female supply fitting(1), keep proper position in the wall. **NOTE:** The supply fitting should be below the finished wall 6~18mm, and be vertical with finished wall as well. The hole in the finished wall should be not more than Ø40.

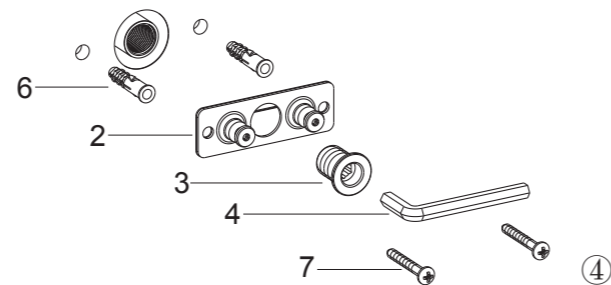
Screw the tube(3) and base(2) into the wall, tighten them by hex wrench(4).



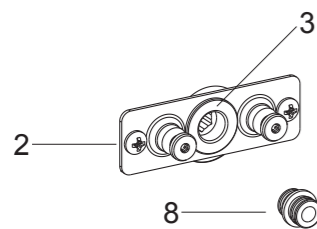
Make sure the base(2) is horizontal by the attached level(5). Mark the position of the hole on the wall with a pencil.



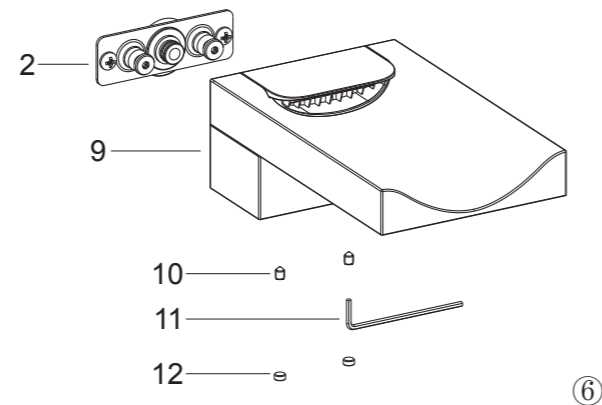
Drill two Ø10 holes according to the mark. The depth of the holes are 52mm.



Press the anchors(6) into the hole. Apply tape or thread sealant to threads of the tube(3). Install the tube into the wall through the base(2). Install the screws(7) to secure the base on the wall. Tighten the tube by hex wrench(4).



Install the connector(8) into the tube(3). Turn on the water supply, run the hot and cold water through the connector for about one minute to remove any debris. Shut off water supply.



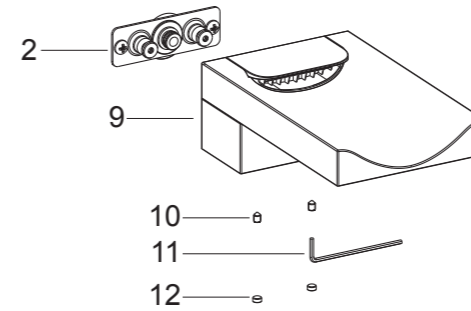
Install the spout kit(9) onto the base(2). Tighten the screws(10) to secure the spout kit by hex wrench(11). Press the plugs(12) into the hole.

INSTALLATION CHECKOUT

Ensure that all connections are tightened.

Open the drain. Turn on the main water supply and check for leaks. Repair as required.

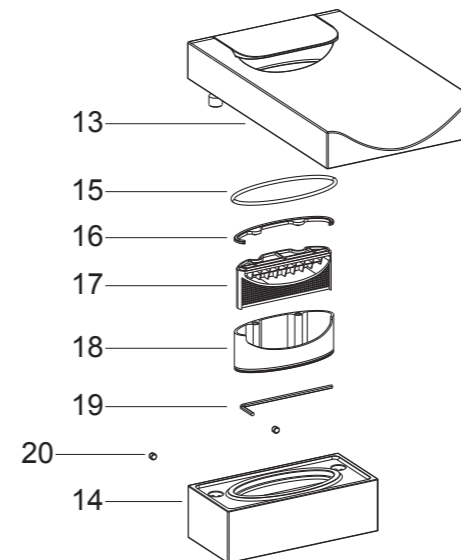
CARE AND MAINTENANCE



Clean Rectifier

If there is a lot of debris in the supply pipes or the quality of water is bad, it will cause the flow in bad condition. Please clean the filter as following steps:

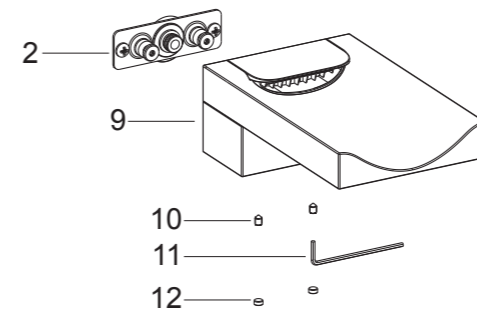
Turn off the supply water. Take out the plugs(12), remove the screws(10) by hex wrench(11). Remove the spout kit(9).



Take out the screw(20) in the bottom of the spout by hex wrench(19). Uninstall the spout(13) from body(14). Remove the washer(16), rectifier(17) and support ring(18).

Flush the filter of rectifier(17). Check the filter whether is intact, if damaged replace it.

Reassemble the spout and body: put the rectifier(17) and washer(16) into the support ring(18). Put them into the original position. Slide the O-ring(15) onto the support ring. Install the spout into the body, tighten the screw(20) in the bottom of the spout by hex wrench(19).



Install the spout kit(9) onto the base(2). Tighten the screws(10) to secure the spout kit by hex wrench(11). Press the plugs(12) into the hole.

CLEANING INSTRUCTIONS

All Finishes: Clean the finish with mild soap and warm water. Wipe entire surface completely dry with clean soft cloth. Many cleaners may contain chemicals, such as ammonia, chlorine, toilet cleaner etc, which could adversely affect the finish and are not recommended for cleaning.

Do not use abrasive cleaners or solvents on Kohler faucets and fittings.