

99875T-4 Decorative Wall Mount Lavatory Faucet

BEFORE YOU BEGIN

All information is based on the latest product information available at the time of publication. Kohler Co. reserves the right to make changes in product characteristics, packaging, or availability at any time without notice.

Please leave these instructions for the consumer. They contain important information.

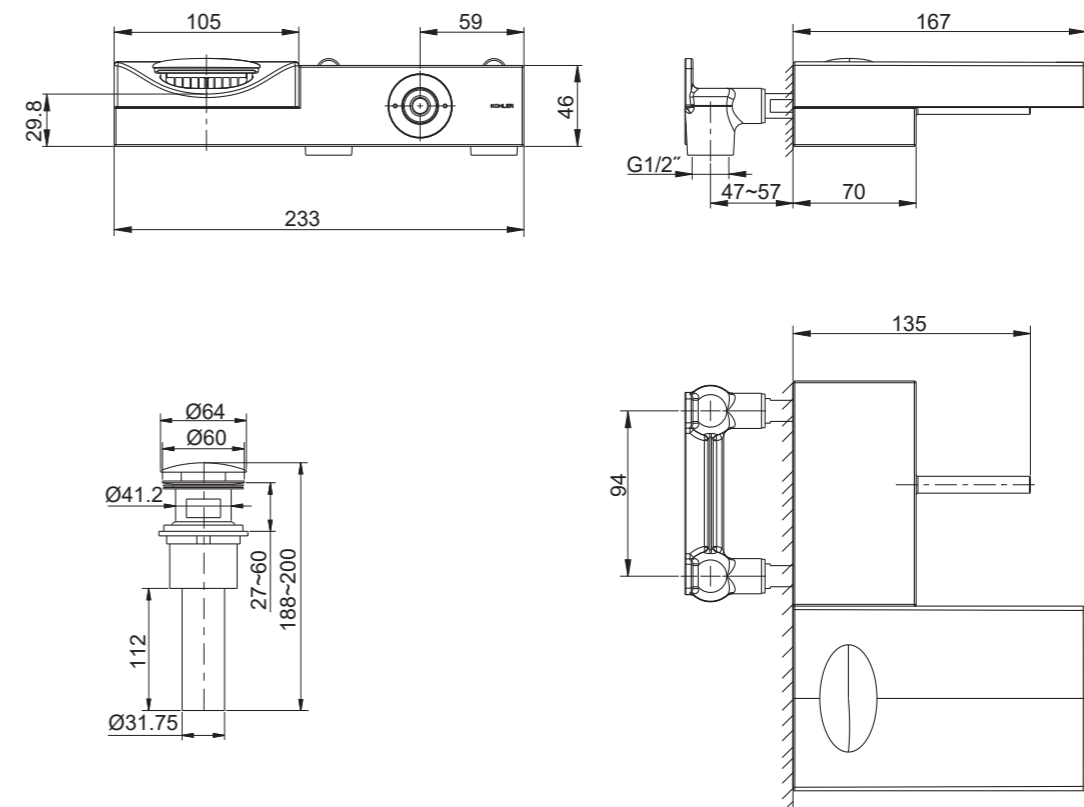
NOTES:

1. Flush the water supply pipes thoroughly to remove debris.
2. Inspect the supply tubing for damage and leakage. Replace and maintain as necessary.
3. Observe local plumbing codes.
4. Check for leaks before cover the pipes, repairs as needed.
5. Please ensure only apply water pressure test on the product, and empty the air in pipe and faucet thoroughly before the test. Please ensure test pressure below 0.8MPa (8bar) and test duration within 30 minutes.
6. Do not use alcohol and other organic solvents to wipe the spout.

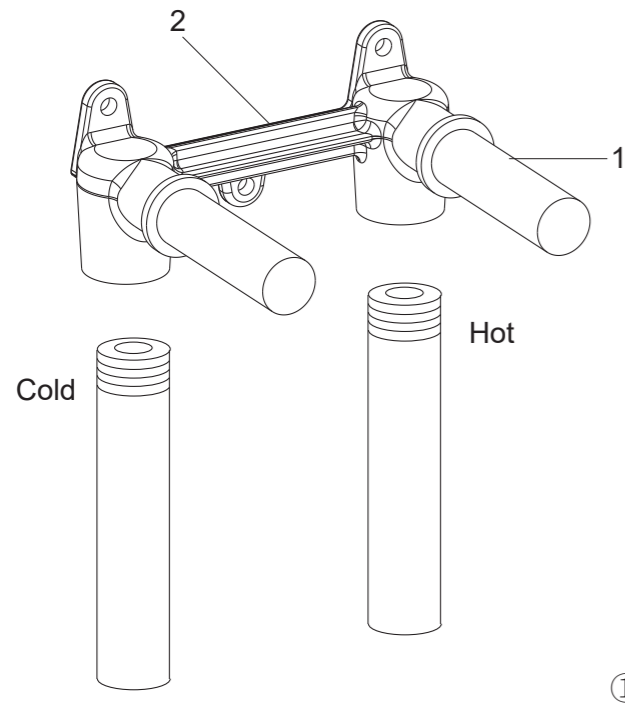
HANDLE OPERATION

Lift the handle gently. Turn clockwise for cold water, turn counter-clockwise for hot water.

ROUGH-IN DIMENSIONS



INSTALLATION



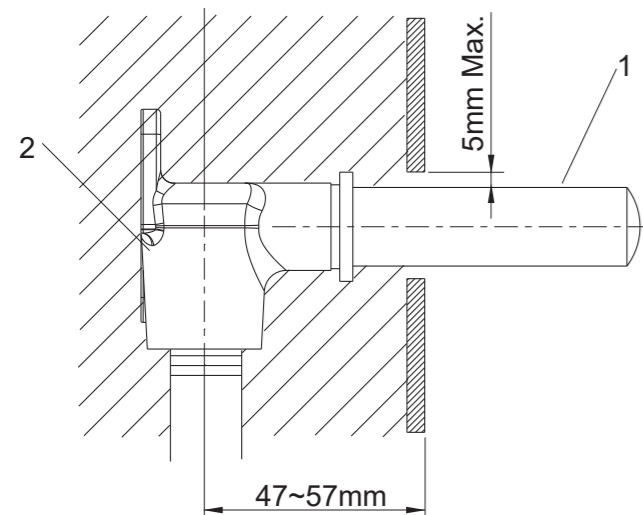
How to Install the York

Do not take off guards(1) at this moment.

Determine where the york(2) will be located on the wall according to the lavatory.

Connect the G1/2" supplies to the york. Please note that the side of the york with red dot connects to the hot supply and towards right.

①



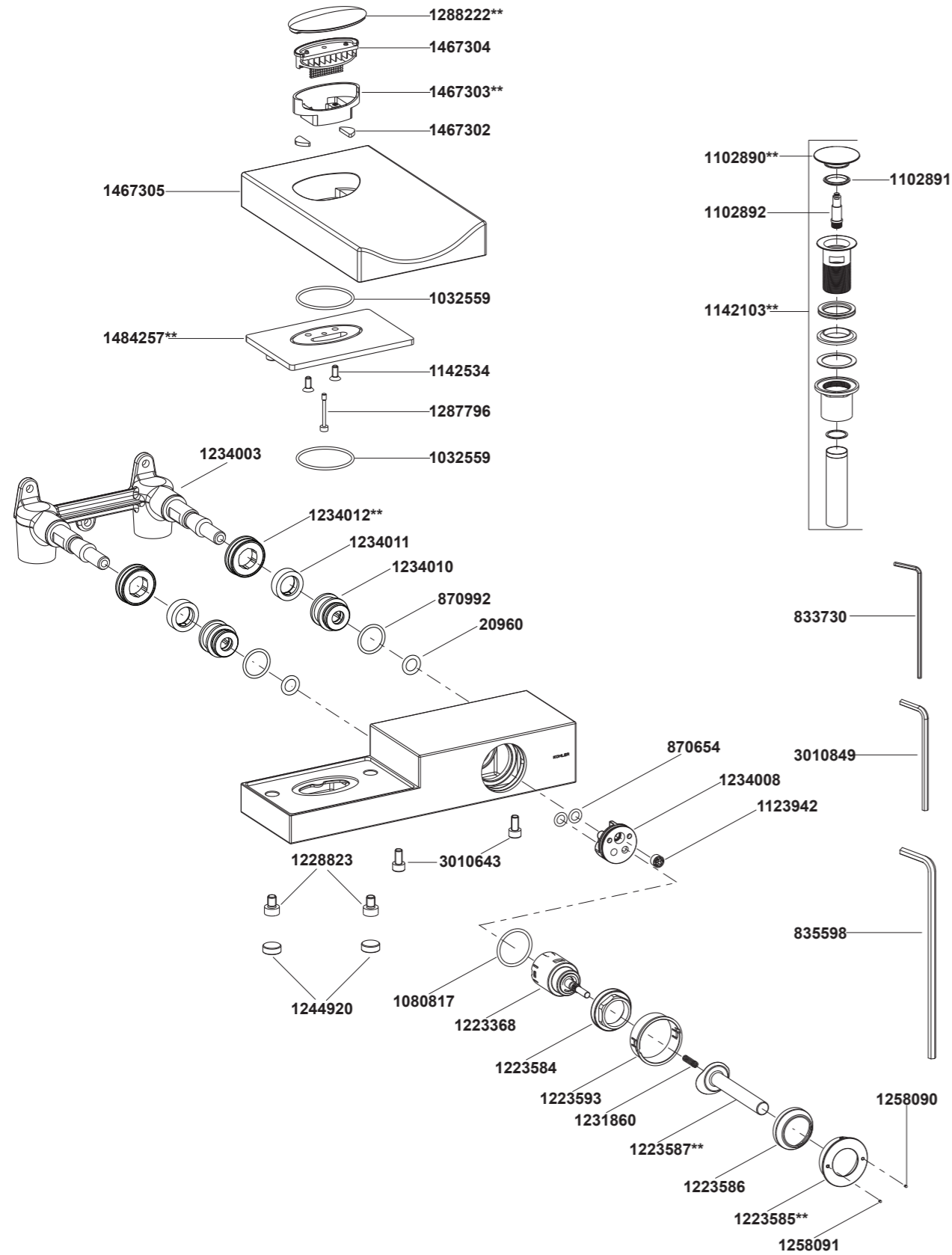
The distance between finished wall and supplies should be 47~57mm. Ensure that the gaps between guards and finished wall are less than 5mm.

Increase hot and cold water supply pressures to 1MPa. Inspect for leaks.

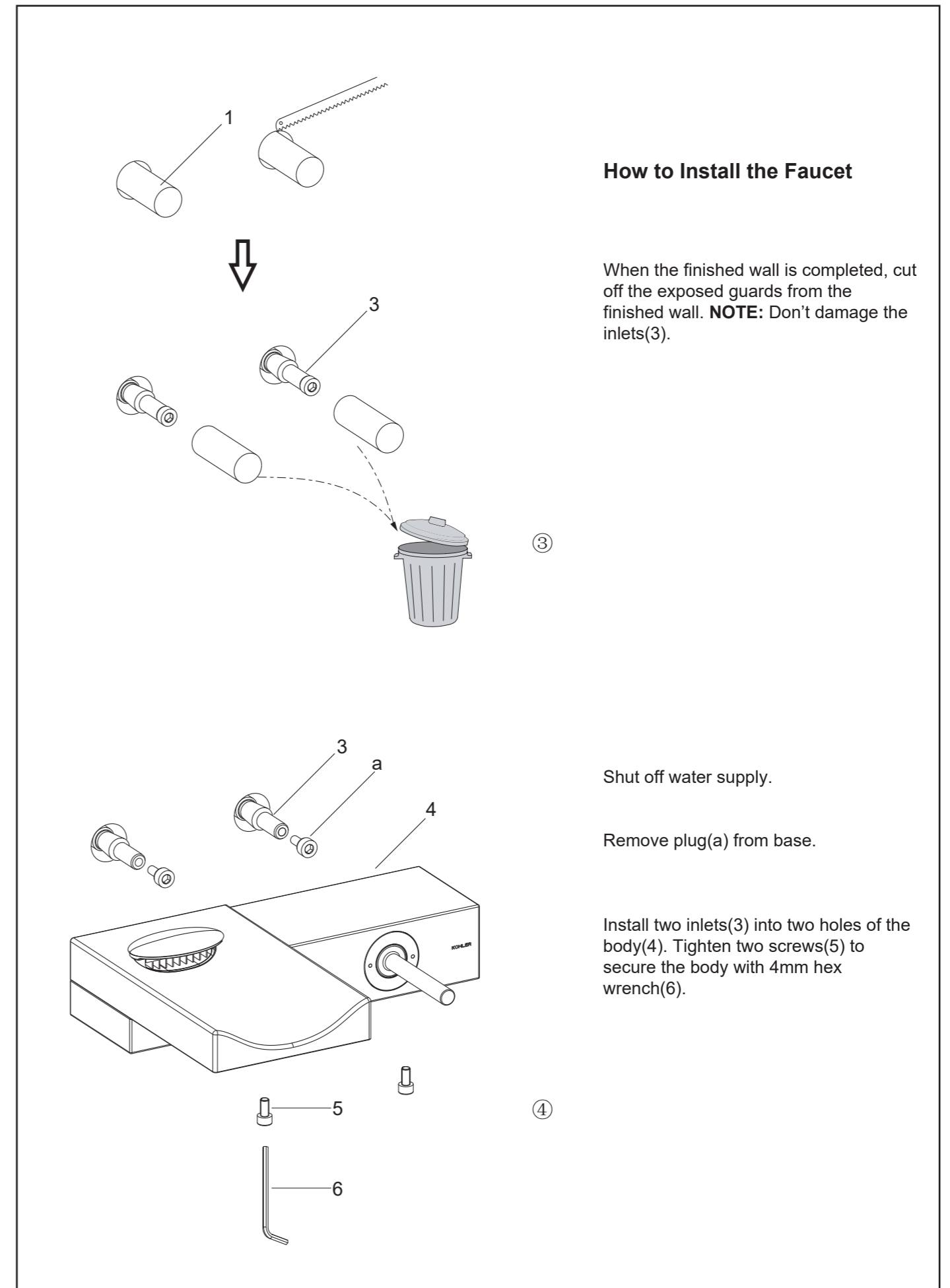
NOTE: Make sure two guards are the same distance to the wall. Ensure the centerlines of them are horizontal.

②

99875T-4 Decorative Wall Mount Lavatory Faucet



**Color code must be specified when ordering.



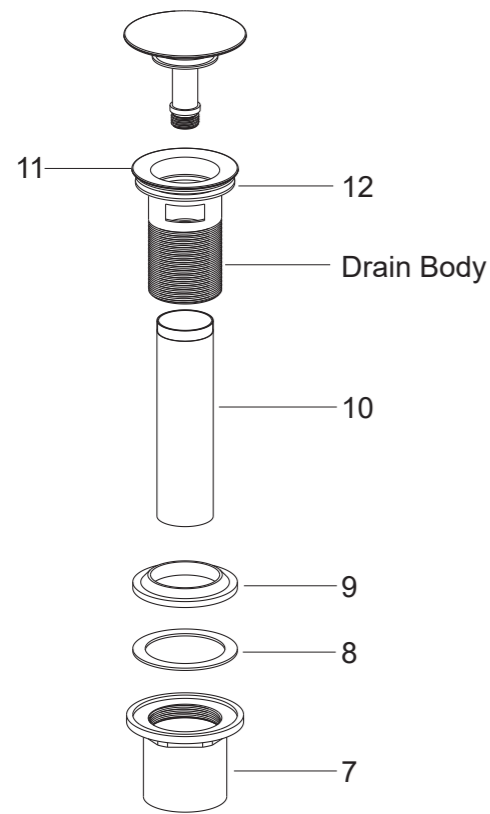
How to Install the Faucet

When the finished wall is completed, cut off the exposed guards from the finished wall. **NOTE:** Don't damage the inlets(3).

Shut off water supply.

Remove plug(a) from base.

Install two inlets(3) into two holes of the body(4). Tighten two screws(5) to secure the body with 4mm hex wrench(6).



How to Install the Drain

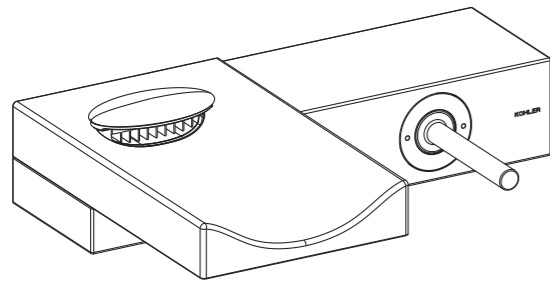
Remove the locknut(7), plastic washer(8), rubber gasket(9) and tailpiece(10) from the drain body. Supply enough tape or sealant to tailpiece thread. Reinstall the tailpiece. Insert the drain body into the lavatory. Install the rubber gasket (Tapered side up), plastic washer and locknut back to the drain body in turn. Tighten the locknut.

NOTE: If needed, apply a ring of plumbers putty or other sealants around the underside of the drain flange(11), instead of using rubber washer(12).

Do not reposition the drain after the locknut is tightened, or you may break the putty or sealant seal.

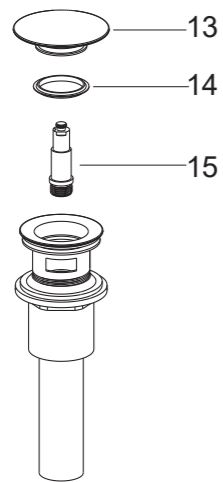
⑤

INSTALLATION CHECKOUT



Ensure that all connections are tight. Ensure that the handle is in the off position.

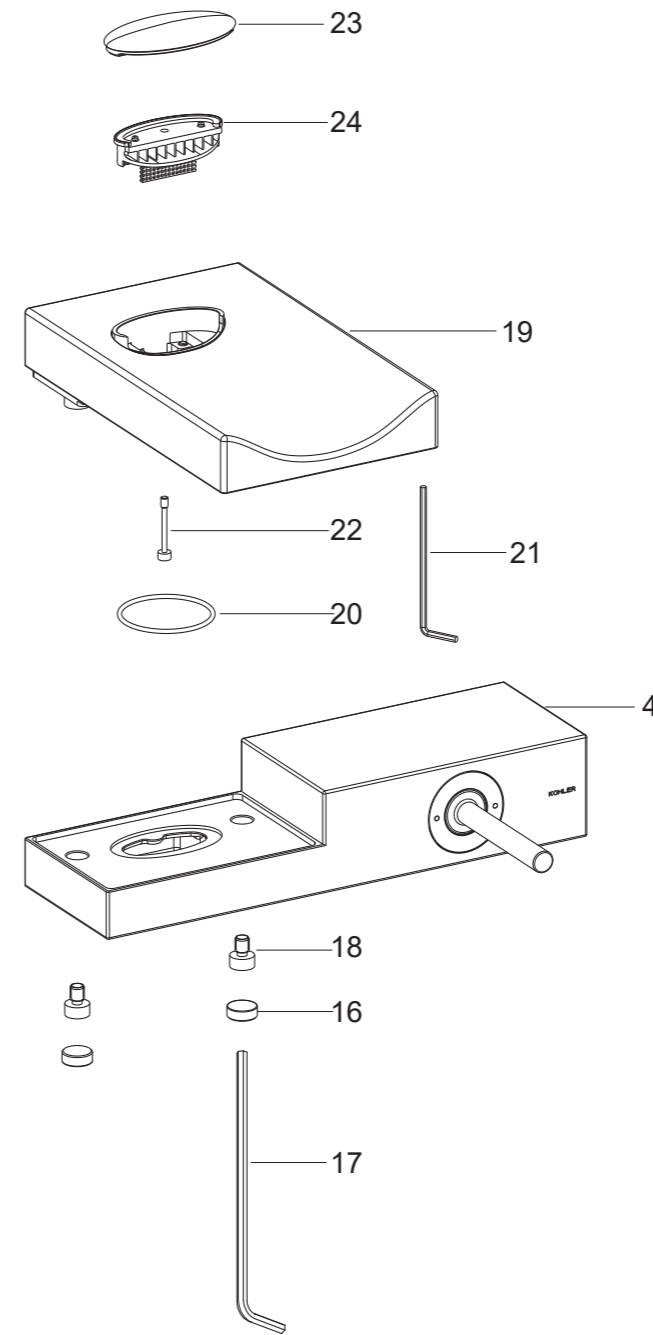
Turn on the drain and main water supply, and check for leaks. Repair as needed.



Replacing the Washer and Piston Kit

Turn counter-clockwise to remove the stopper(13). Take out washer(14). Replace with a new one. Turn counter-clockwise to remove the piston kit(15). Replace with a new one. Reinstall stopper and washer.

CARE AND MAINTENANCE



Clean Rectifier

If there is a lot of debris in the supply pipes or the quality of water is bad, it will cause the flow in bad condition. Please clean the filter as following steps:

Turn off the faucet. Take out the plugs(16). Remove the screws(18) with 5mm hex wrench(17). Uninstall the spout(19) from body(4). Be sure don't lost the O-ring(20). Remove the screw(22) with 2.5mm hex wrench(21). Remove the cover(23) and rectifier(24).

Flush the filter of rectifier. Check the filter whether is intact, if damaged replace it.

Reassemble the spout and body. Put the rectifier and cover into the spout. Tighten the screw(22) with 2.5mm hex wrench(21). Put the O-ring to the original position. Install the spout onto body and tighten the screws(18) with 5mm hex wrench(17). Insert the plugs.

CLEANING INSTRUCTIONS

All Finishes: Clean the finish with mild soap and warm water. Wipe entire surface completely dry with clean soft cloth. Many cleaners may contain chemicals, such as ammonia, chlorine, toilet cleaner etc. which could adversely affect the finish and are not recommended for cleaning.

Do not use abrasive cleaners or solvents on Kohler faucets and fittings.