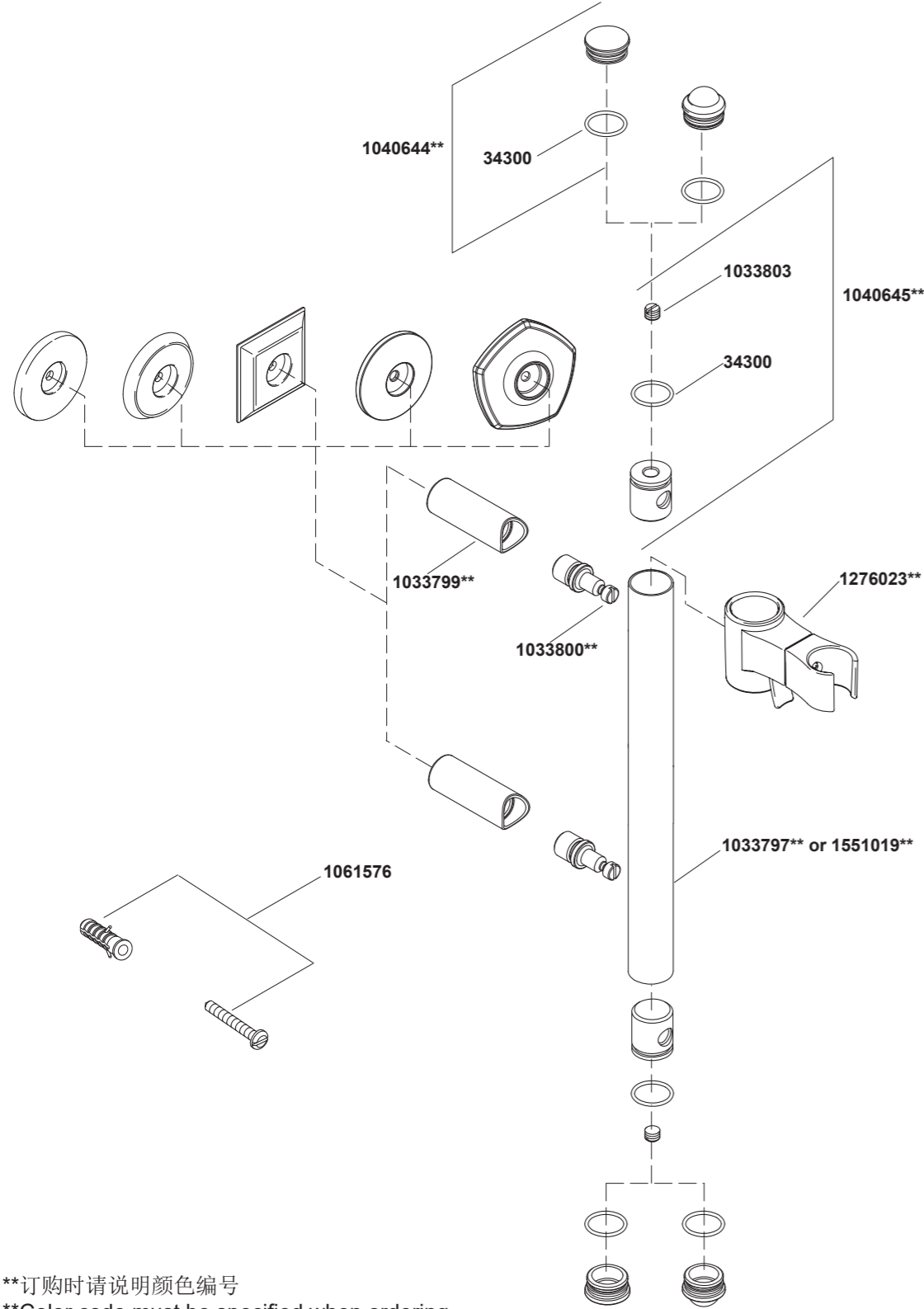


8524T 滑动花洒支架  
 349T 421T 974T 20214T EX27055T 装饰罩



\*\*订购时请说明颜色编号  
 \*\*Color code must be specified when ordering

8524T 滑动花洒支架  
 349T 421T 974T 20214T EX27055T 装饰罩

#### 安装之前

所有的资料是按最新出版的产品资料编写而成。科勒公司保留任何时候不经通知即可改变产品特性、包装或产品可供类型的权利。

说明书包括重要的安装、保养及清洁方面的内容，请把这些资料交给用户阅读。

#### 注意事项：

滑动花洒支架8524T须配合滑杆装饰罩349T、421T、974T、20214T或EX27055T使用。

#### BEFORE YOU BEGIN

All information is based on the latest product information available at the time of publication. Kohler Co. reserves the right to make changes in product characteristics, packaging, or availability at any time without notice.

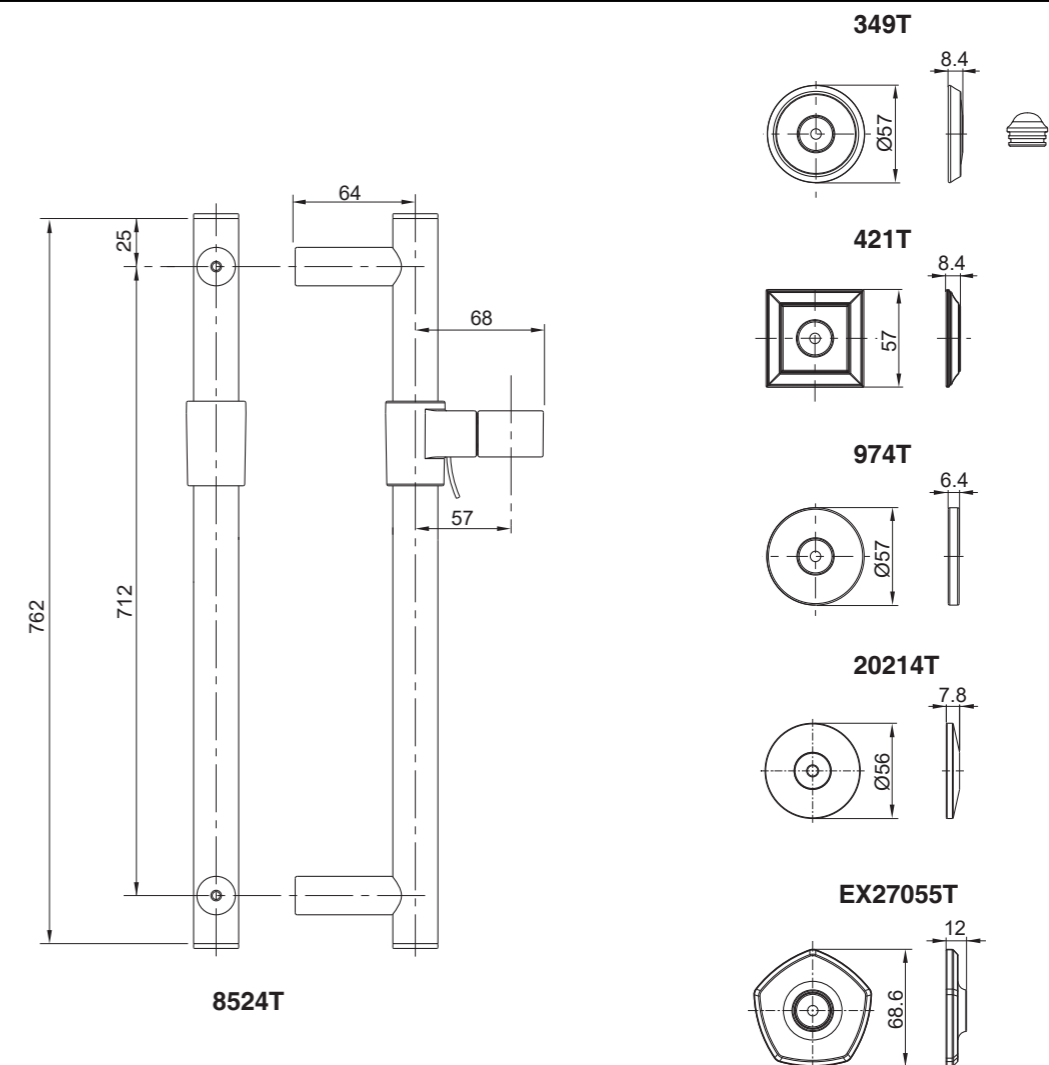
Please leave these instructions for the consumer. They contain important information.

#### NOTES:

The slide bar 8524T must be used with slide bar escutcheon 349T, 421T, 974T, 20214T or EX27055T.

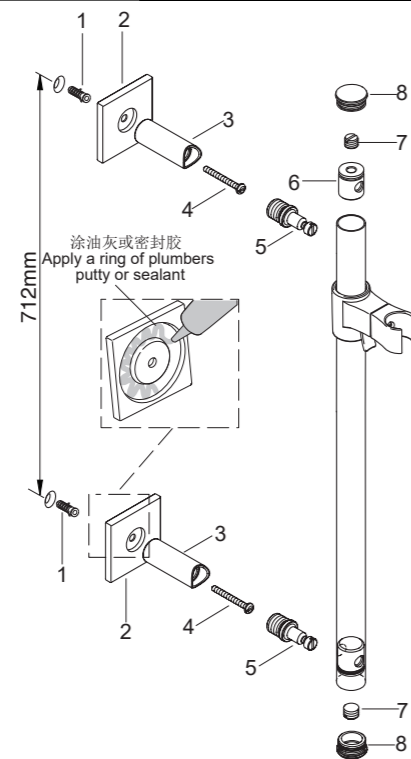
#### 安装尺寸

#### ROUGH-IN DIMENSIONS



## 安装步骤

## INSTALLATION



根据安装尺寸和胀塞(1)直径在墙面上适当的高度打两个孔，两孔之间距离是712mm。将胀塞分别塞入孔中。

客户根据需要选配并安装滑杆装饰罩(2)：349T、421T、974T、20214T或EX27055T。

在滑杆装饰罩背面凹槽涂上一圈油灰或密封胶。将装饰罩和支撑柱(3)对准安装孔。用螺钉(4)连接装饰罩和支撑柱，但不拧紧螺钉。

举起滑杆贴紧支撑柱，调整支撑柱弧形缺口方向直至缺口与滑杆吻合。挪开滑杆，并锁紧螺钉以固定支撑柱。

将销(5)旋入支撑柱，用螺丝刀锁紧。

将锁紧组件(6)的孔与滑杆的孔对齐装入。如需要，用螺丝刀调节滑杆锁紧件的位置。

将销对齐并嵌入锁紧组件和滑杆的孔中。

锁紧固定螺钉(7)固定滑杆。

将盖(8)扣到滑杆上。

Select a suitable location to drill two holes on the finished wall according to the rough-in dimensions and diameter of the anchor(1), their distance is 712mm. Press the anchors into the holes.

Customer could select and install the slide bar escutcheon(2): 349T, 421T, 974T, 20214T or EX27055T.

Apply a ring of plumbers putty or sealant into the groove on the backside of an escutcheon. Position an escutcheon and post(3) over the mounting hole. Secure an escutcheon and post to the wall with a screw(4). Loosely tighten the screw.

Hold the slide bar up against the posts. Adjust the position of the posts until the slide bar fits snug against the curved cutout of the posts. Remove the slide bar and tighten the screws to secure the posts.

Thread the pin(5) into the post; tighten with a flat blade screwdriver.

Line up the hole of each lock assembly(6) with the holes of the slide bar. If needed, use a screwdriver to adjust the position of the lock assemblies.

Align the pins with the holes in the slide bar and slide bar locks. Insert the pins through the slidebar and lock assemblies.

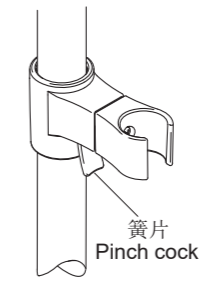
Secure the slide bar by tightening the setscrews(7) into the lock assemblies.

Press the cap(8) into each end of the slide bar.

## 安装结果检查

确定所有衔接螺母都已锁紧。

按住花洒托架的簧片上下滑动，可调节托架位置。



## INSTALLATION CHECKOUT

Ensure that all coupling nuts are tightened.

The height of handshower holder can be adjusted by pressing the pinch cock and sliding up and down.

## 清洗说明

适用于所有加工处理过的表面：以中性肥皂水清洗镀层表面，再以干净软布彻底擦干整个表面，许多清洁剂，比如氨水、去污粉及洁厕灵等，会对电镀表面造成伤害，切忌使用。

有磨损性的清洁用具或清洁剂也不可适用于科勒牌的水龙头及其配件上。

## CLEANING INSTRUCTIONS

All Finishes: Clean the finish with mild soap and warm water. Wipe entire surface completely dry with clean soft cloth. Many cleaners may contain chemicals, such as ammonia, chlorine, toilet cleaner etc. which could adversely affect the finish and are not recommended for cleaning.

Do not use abrasive cleaners or solvents on Kohler faucets and fittings.