


BEFORE YOU BEGIN


安装之前


- Please read these instructions carefully to familiarize yourself with the required tools, materials, and installation sequences. Follow the sections that pertain to your particular installation. This will help you avoid costly mistakes. In addition to proper installation, read all operating and safety instructions.
- All information in these instructions is based upon the latest product information available at the time of publication. Kohler China reserves the right to make changes in product characteristics, packaging, or availability at any time without notice.
- These instructions contain important care, cleaning, and warranty information-**please leave instructions for the consumer.**
- Before installation carefully inspect the new fixture for any signs of damage.
- This product complies with GB 24977-2010; GB 7000.201-2008, GB 7000.1-2007, GB 17743-2007; GB 17625.1-2012; GB/T 17743-2007; GB 19510.1-2009; GB 19510.14-2009.

 **WARNING: Risk of injury or product damage.** Be careful when opening the door to avoid pinching fingers.

 **WARNING:** Don't use acidic or alkalic cleaners or alcohol to clean the surface. Use a dampened cloth to clean.

 **CAUTION: Risk of electric shock.** Electrical wiring may need to be relocated.

 **CAUTION: Risk of property damage.** Use anchors (not provided) rated for the loaded weight of this product. Refer to the anchor manufacturer's instructions.

 **Important Information:** This cabinet is designed for either right or left door swing. Check the wall cavity for obstructions.


• 请仔细阅读本指引，以便熟悉所需工具、材料及安装程序。请遵照适用的章节来安装本产品，以免安装失当导致不必要的损失。除了有关正确的安装方法之外，还务请详阅所有操作及安全指引。


• 本指引所载之一切资料，均以印刷时所有之最新产品情况为基础，科勒中国保留权利随时更改产品特性、包装或供应情况，恕不另行通知。

• 本指引也包含了有关保养、清洁及担保等重要资料 - **请交予用户保存。**


• 安装之前，仔细检查产品是否有损伤。


• 本产品符合 GB 24977-2010; GB 7000.201-2008, GB 7000.1-2007, GB 17743-2007; GB 17625.1-2012; GB/T 17743-2007; GB 19510.1-2009; GB 19510.14-2009。

 **警告：可能有人伤害或者产品损坏的危险。**为防止门左右移动时夹到手指，请注意推门的位置。

 **警告：**表面不能用含酸或碱性的清洁剂以及酒精清洁，请用潮布清洁。

 **警告：触电风险。**可能需要重新布线。

 **警告：财产损失风险。**请使用可承载本产品重量的膨胀螺栓（不随货提供）。请参考螺栓制造商的产品说明。

 **重要信息：**本镜柜有适用于左右开门安装的型号，请注意区别。请检查墙体内壁空间是否存在障碍物。

ACCESSORIS LIST

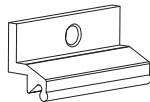
附件清单



Glass Shelves
玻璃层板
5PCS



Wall Anchors
入墙胶粒
6PCS



Top Clips
顶扣
3PCS



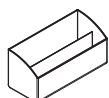
Screw ST3.5x35
盘头自攻螺钉ST3.5x35
6PCS



Shelf Clip
嵌入式层板架
22PCS



Mounting Bar
承托条
1PCS



Plastic Box
储物盒
3PCS



Hair Dryer Holder
吹风机支架
1PCS



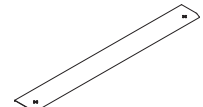
Side Mirror
侧镜
2PCS



Mask Bracket
面膜支架
1PCS



Hanger
挂架
1PCS



Top Cover
顶盖
1PCS

ZHONGSHAN KOHLER SHOWER CO., LTD. NO13-1, XINGYE ROAD, ZHONGSHAN TORCH

DEVELOPMENT ZONE, ZHONGSHAN, GUANGDONG, CHINA POST CODE: 528437

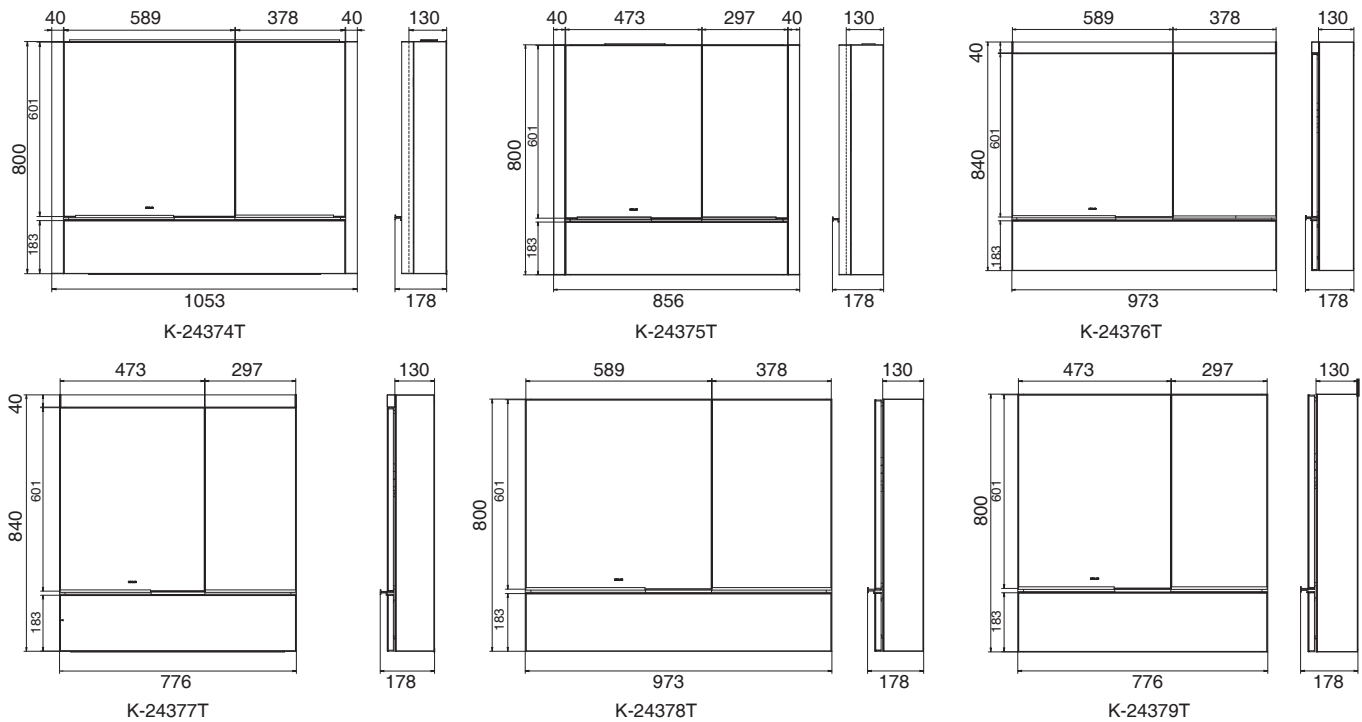
中山科勒卫浴有限公司 广东省中山市中山火炬开发区兴业路 13-1 号 邮编:528437

ROUGHING-IN

尺寸图

Reference Value
参考值

Unit: mm
单位: 毫米



Kohler reserves the right to change marked dimensions without prior notice.
科勒公司保留随时变更图中标示尺寸的权利, 无需另行通知。

Item 序号	Electrical Function 电器功能	Type Description 规格描述	Fixate Place 安装位置
1	Power 电源	Input: 220V 50Hz, Pmax=36W	Top of Cabinet 柜体顶部
2	Defogger 防雾膜	Input: 12V, Pmax=15W	Back of Outer-Mirror 贴外镜背部
3	Lighting 灯具	2x800 Side light Input: 12V, Pmax=16W	Side of Cabinet 柜体侧边
		776 Top light Input: 12V, Pmax=12W	Top of Cabinet 柜体顶部
		973 Top light Input: 12V, Pmax=15W	Top of Cabinet 柜体顶部
4	Inductive Switch 感应开关	Input: 12~24V 3A	Bottom of Cabinet 镜柜底部
5	Power Outlet 插座	Input: 220V 50Hz, 10A	Middel of Inner Cabinet 柜内中部

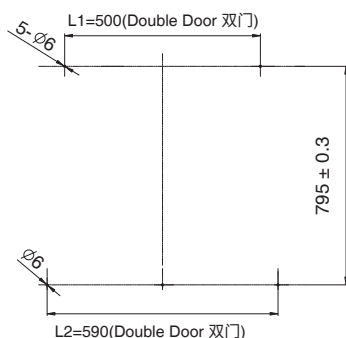
INSTALLATION

安装

Drill mounting holes

钻孔安装

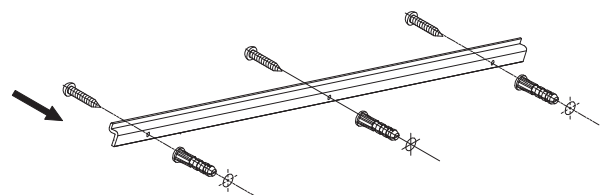
Drill 5 (or 4) $\varnothing 6$ holes on the wall as shown. The holes on the same line shall keep level.
在墙上钻5个(或4个) $\varnothing 6$ 孔, 尺寸如下图所示, 注意同一排孔保持水平。



STEP
1

Install mounting bar. Take out the mounting bar and put level. Drill holes according to the hole spaces.

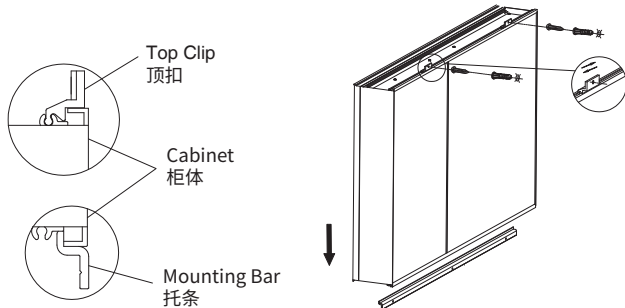
安装托条, 拿出托条, 水平放置, 按托条上的孔距进行钻孔。



STEP
2

Fix the cabinet
固定柜体

1. Put the cabinet on the mounting bar.
1. 将柜体放在托条上。
2. Insert top clips from the center of the top. Slide the clips to align with the drilled holes. Fix with screws.
2. 从中间缺口嵌入顶扣在柜顶，滑动顶扣，对准上一步骤的钻孔后，用螺钉固定。

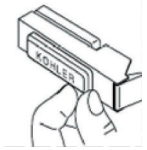


STEP
3

Adjust the door (only necessary if the door does not completely match the cabinet when it is closed).
调门体（当关门时门体和柜体不完全重合时，才需要调节）。

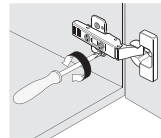
Door adjustments
门的拆装及调整

1. Open hinge cover before adjusting the door.
1. 门体调节前，先将铰链盖揭开。

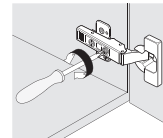


2. Adjust the hinge of door in 3 directions to make sure the door level as shown.
2. 门板的三向调节。

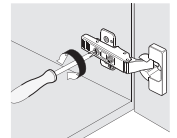
Height Adjustment
调节高度



Side Adjustment
调节侧面



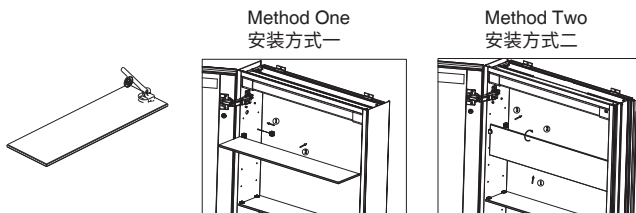
Depth Adjustment
调节深度



STEP
4

Install glass shelf
装玻璃层板

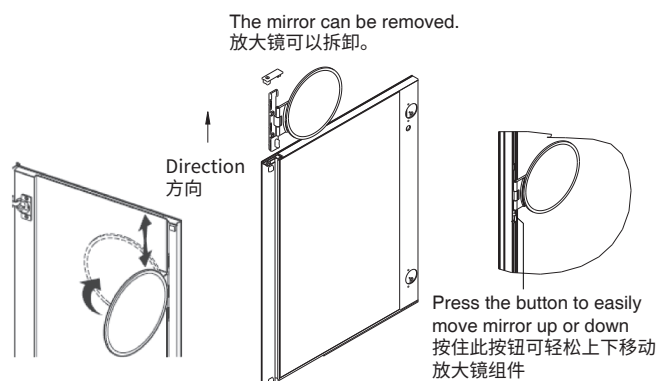
1. Insert the snap-in pins into the side holes.
1. 将嵌入式层板架插入两边侧孔。
2. Clip the mask bracket into the glass shelf.
2. 把面膜支架卡进层板。
3. Insert the glass shelf into the snap-in pins. As shown in the left illustration.
3. 将玻璃层板插入层板架。如下图安装方式一。
4. In case the door opening angle is not enough, insert the glass shelf vertically upwards and then rotate to horizontal position, as shown in the right illustration.
4. 如果门打开角度较小，按安装方式一不好装玻璃层板时，可按安装方式二，垂直往上穿入，再旋转水平后推入。



STEP
5

Adjust magnifying glass.
调整放大镜

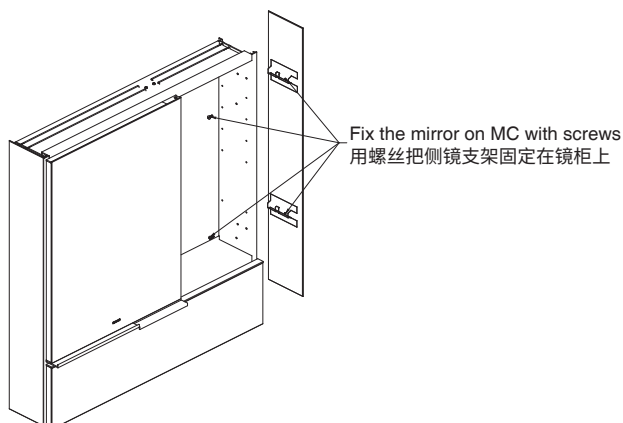
To adjust mirror height, slide up or down.
IMPORTANT! Rotate mirror in before closing the door.
上下滑动，以调节镜子高度。
重要：必须在柜门关闭前旋入镜子。



STEP
6

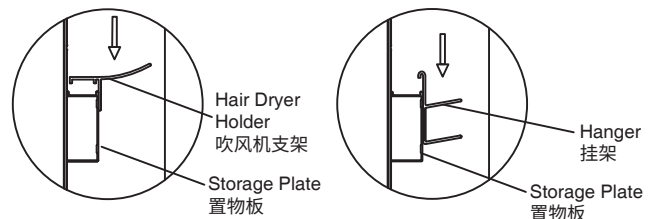
Install accessories and side mirror as shown.
镜柜配件及侧镜的安装：按图示位置进行按装。

Fix the side mirror assembly with screws.
用螺丝固定侧镜组件。



Installation of all parts of the mirror cabinet:
镜柜各部件安装说明：

1. Hang the hair dryer holder and the hanger on the storage plate.
1. 安装需要将吹风机支架，挂架挂在置物板上。
2. Small iron tools can be attached to the magnetic chuck on the front side of the storage plate.
2. 小的铁质工具可吸附于置物板正面的磁性吸盘。



STEP
7

Connect to power line

电源线接入

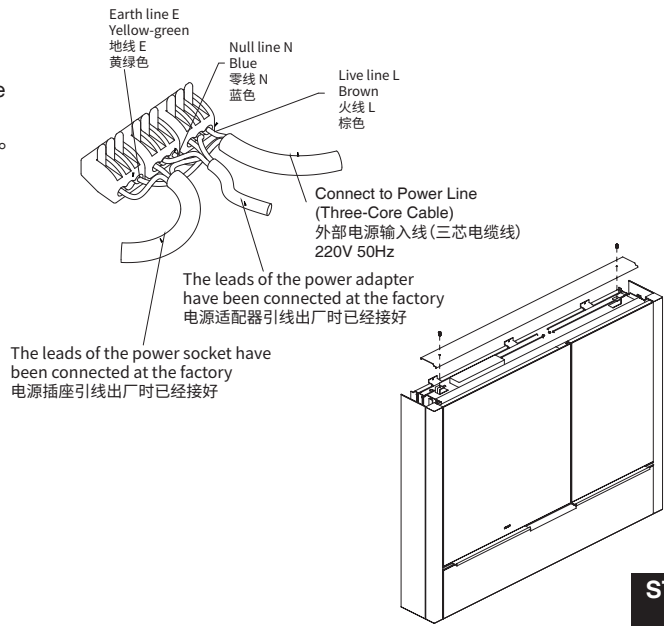
Break off the booster handle and fix the top cover on the top of the mirror cabinet with screws after connecting the power cord.
接好电源线后，把助推把手掰下来，用螺丝把顶盖固定在镜柜顶部。

Note:

- 1) LED light and defogger will be controlled by the inductive switch
- 2) Power of the electrical equipments connected to the socket shall not exceed 2000W.

注:

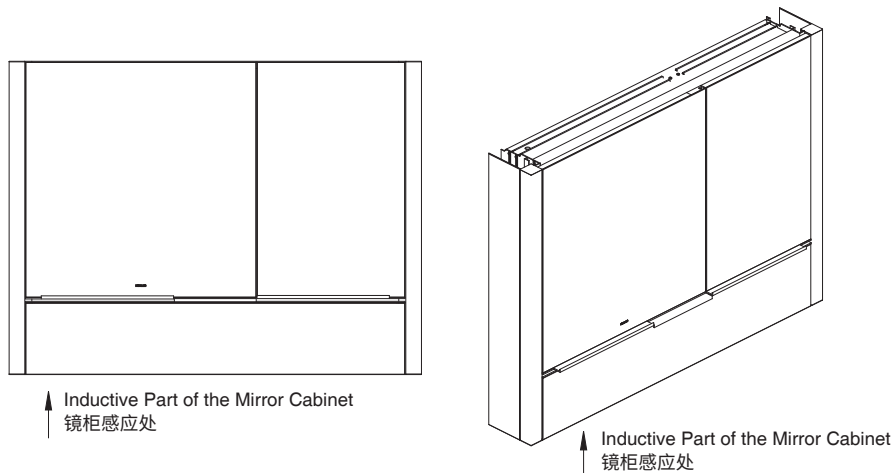
- 1) 通过手扫开关控制灯和防雾膜。
- 2) 电源插座外接电器总功率不能超过2000W。



Mirror Cabinet Inductive Switch:

镜柜感应开关:

The lighting and defogger can be turned On/Off with the inductive switch at the lower-left corner of the mirror cabinet.
灯具和防雾膜可通过镜柜左下角的感应开关实现开关。



Parts of the mirror cabinet:

镜柜各部件说明:

