

Craft Series Vanity
CVSM24 Islamorada Vanity Specification Sheet

FEATURES

- Adjustable shelf with plumbing clearance
- Distinct stepped design accents on handles and legs
- Adjustable leg levelers

MATERIALS & CONSTRUCTION

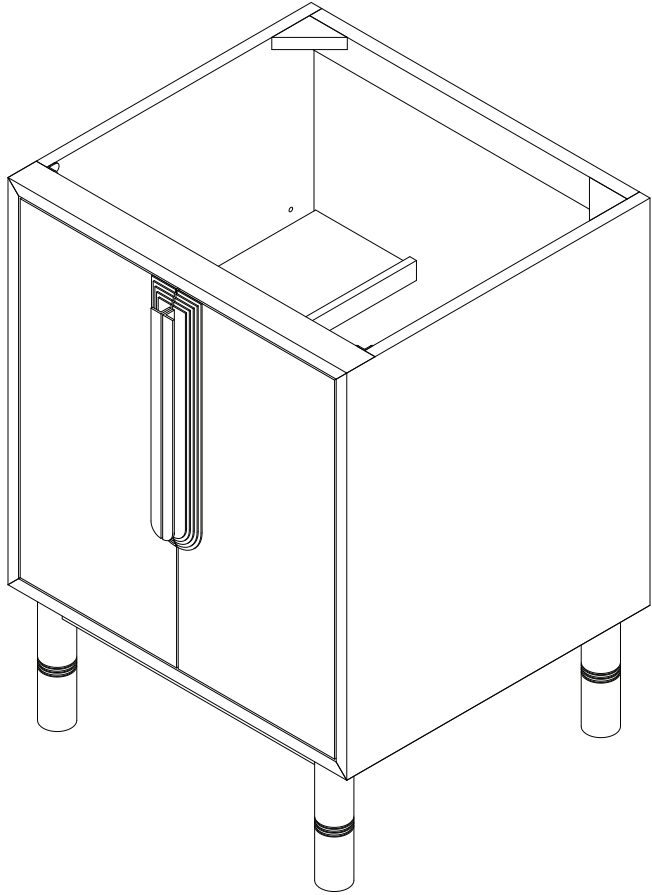
- Cabinet grade MDF and Plywood construction
- Corrosion resistant decorative hardware
- Full plywood back panel, no cutout
- Adjustable Blum 110° soft-close hinges

OPTIONS

- Available in:
 - CVSM2422087 - Sand with Aged Brass
 - CVSM2422187 - Nori with Aged Brass
- Engineered stone tops available:
 - TB25UCO90-1 • TB25UCO90-8
 - TB25UCO91-1 • TB25UCO91-8
 - TB25UCO92-1 • TB25UCO92-8
 - TB25UCO93-1 • TB25UCO93-8
 - TB25UCO94-1 • TB25UCO94-8

DIMENSIONS

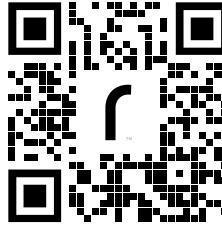
- Width: 24" (610mm)
- Height: 32-7/8" (835mm)
- Depth: 21-1/2" (546mm)



MODEL NUMBER KEY

PRODUCT LINE	CATEGORY	COLLECTION	WIDTH	FINISH OPTIONS
C = Craft Series	V = Vanity	SM = Islamorada	24	(See above)

MORE INFORMATION



Scan the QR code to see the details found in the Craft Vanity installation instructions.

Use the camera app on your mobile device to look at this QR code. This will allow you to quickly access web pages and other relevant documents.

