

KOHLER[®] Faucets

Monoblock gooseneck bathroom base sink faucet, 0.5 gpm
Triton[®] Bowe[®]
K-100T70-4ANA

Features

- Quarter-turn washerless ceramic disc valves
- Vandal-resistant lever handles
- Gooseneck swing/rigid spout with 5-1/4" (133 mm) reach
- 0.5 gpm (1.9 lpm) maximum flow rate at 60 psi (4.14 bar)
- Vandal-resistant aerated outlet

Material

- Brass
- Brass valve bodies

Installation

- Single-hole installation

Recommended Products/Accessories

K-23723 Faucet cleaner



ADA

CSA B651

OBC

Codes/Standards

ASME A112.18.1/CSA B125.1

NSF/ANSI/CAN 61

NSF/ANSI/CAN 372

All applicable US Federal and State material regulations

DOE - Energy Policy Act 1992

California Energy Commission (CEC)

ADA

ICC/ANSI A117.1

CSA B651

OBC

IAPMO Certification

KOHLER[®] One-Year Limited Warranty

See website for detailed warranty information.

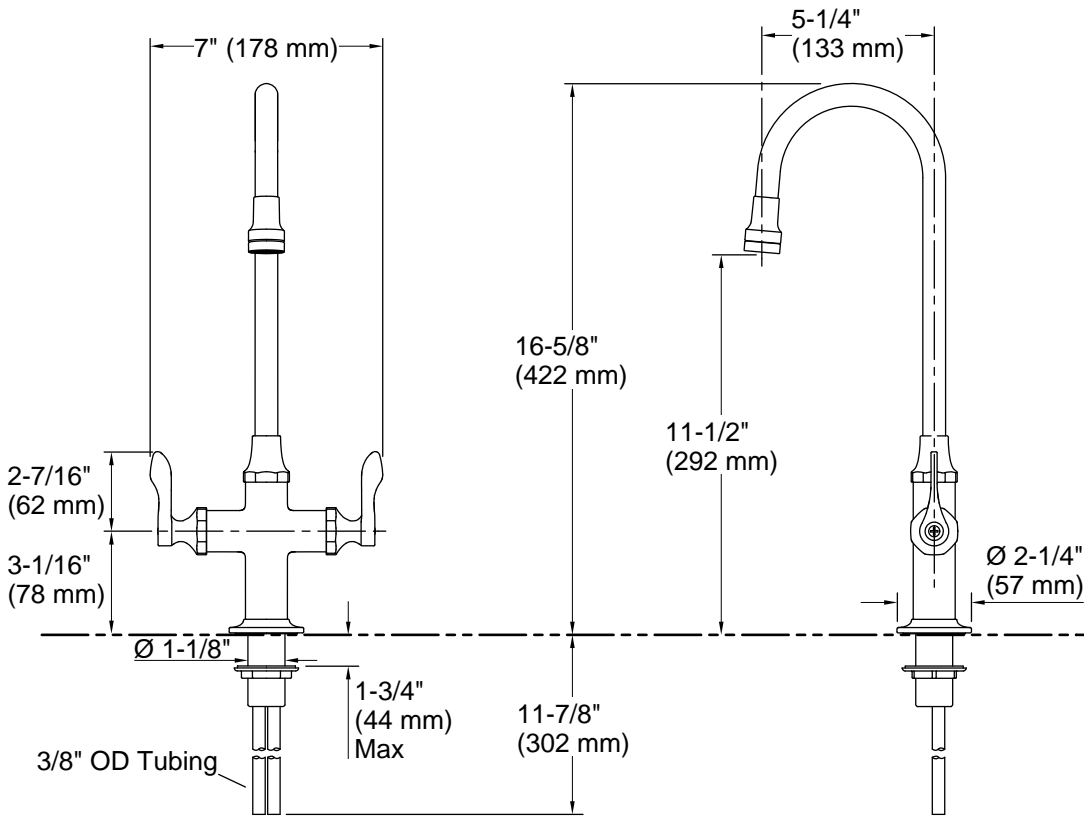
1-800-4KOHLER (1-800-456-4537)

Kohler Co. reserves the right to make revisions without notice to product specifications.

For the most current Specification Sheet, go to www.kohler.com USA or www.kohler.ca Canada

12-9-2024 19:58 - US/CA

THE BOLD LOOK
OF **KOHLER**[®]



Technical Information

All product dimensions are nominal.

Faucet:

Flow rate: 0.5 gal/min (1.9 l/min)

Drain included: No

Spout:

Spout reach: 5-3/16" (132 mm)

Notes

Install this product according to the installation guide.

ADA compliant for handles only.

ADA, OBC, CSA B651 compliant when installed to the specific requirements of these regulations.