

Features

- Includes test cap assembly with seals
- Allows installed valve rough-in to be flushed and pressure-tested without installing cartridge
- Rated for pressure-testing up to 150 psi maximum (air or water)
- Supplied as standard with K-8300 series valve body rough-ins

Material

- Premium materials selected for long-term reliability and resistance to wear

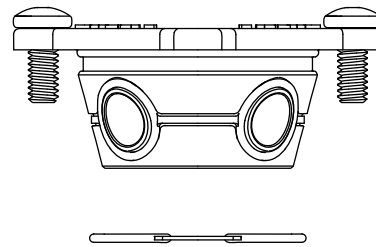
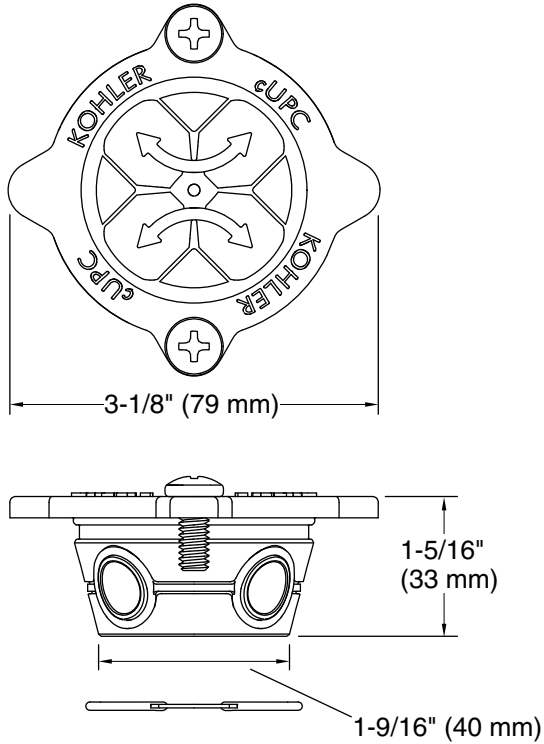


Codes/Standards

None Applicable

KOHLER® Faucet Lifetime Limited Warranty

See website for detailed warranty information.



Technical Information

All product dimensions are nominal.

Spout: