

Features

- Two-function pull-out sprayhead with touch-control allows you to switch from aerated stream to spray
- KOHLER® ceramic disc valves exceed industry longevity standards for a lifetime of durable performance
- ProMotion® technology's light, quiet braided hose and swiveling ball joint make the pull-down sprayhead easier and more comfortable to use
- MasterClean™ sprayface features an easy-to-clean surface that withstands mineral buildup and maximizes spray performance
- High-arch gooseneck spout offers superior clearance for filling pots and cleaning
- Single lever handle is simple to use and makes adjusting water temperature easy
- Temperature memory allows faucet to be turned on and off at the temperature set during prior usage
- Available with 10-1/8" (257 mm) swing spout reach
- 1.5 gpm (5.7 lpm) maximum flow rate at 60 psi (4.14 bar)

Material

- Premium metal construction for durability and reliability
- KOHLER® finishes resist corrosion and tarnishing

Installation

- Single- or three-hole installation (escutcheon included)

Adapters, Rough-in and Extension Kits

1012715 Range: 2-1/2" (64 mm) -
4-5/8" (117 mm)

Recommended Products/Accessories

K-23723 Faucet cleaner

Optional Products/Accessories

1177879 1.5 GPM [5.7 l/min] Low Flow Kit



ADA

CSA B651

Codes/Standards

ASME A112.18.1/CSA B125.1

NSF/ANSI/CAN 61

NSF/ANSI/CAN 372

All applicable US Federal and State material regulations

DOE - Energy Policy Act 1992

California Energy Commission (CEC)

ADA

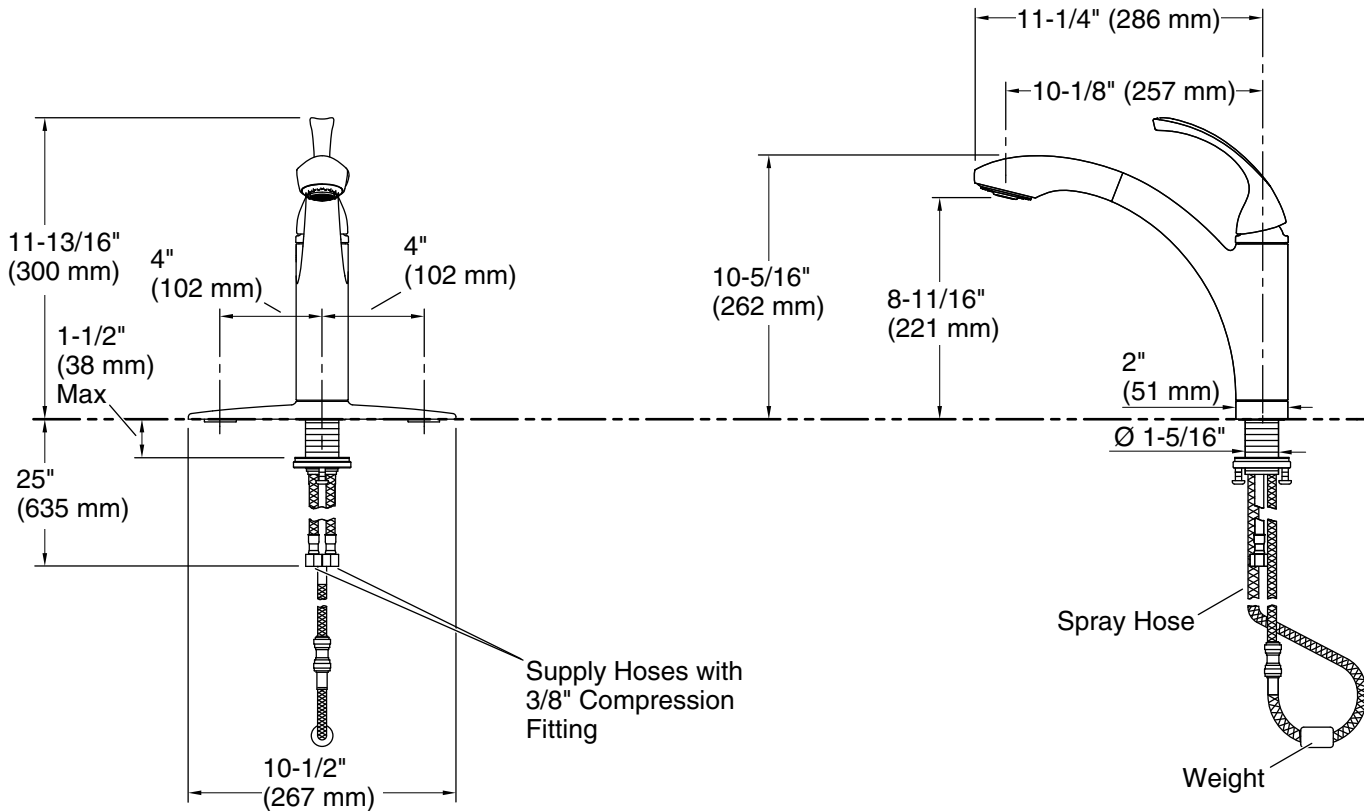
ICC/ANSI A117.1

CSA B651

IAPMO Certification

KOHLER® Faucet Lifetime Limited Warranty

See website for detailed warranty information.



Technical Information

All product dimensions are nominal.

Faucet:

Flow rate: 1.5 gal/min (5.7 l/min)

Spout:

Spout reach: 10-1/8" (257 mm)

Notes

Install this product according to the installation guide.

Lower flow kit or higher flow kit is available.

Faucet contains all necessary parts for both single-hole and three-hole installations.

The deep roughing-in kit (1012715) is designed for a mounting surface 1-3/8" (35 mm) to 3-3/8" (86 mm) thick. The faucet mounting hole should be between 1-7/16" (37 mm) to 1-1/2" (38 mm) in diameter.

ADA complaint for faucet handles only.

ADA compliant for faucet handles only

ADA, CSA B651 compliant when installed to the specific requirements of these regulations.