



Memoirs® Classic

The Complete Solution® two-piece elongated toilet,
1.28 gpf
K-10493

Features

- Two-piece design
- Elongated bowl offers added room and comfort
- Comfort Height® feature offers chair-height seating that makes sitting down and standing up easier for most adults
- The Complete Solution toilets provide everything you need, including bowl, tank, seat, wax ring, and hardware
- Left-hand Polished Chrome trip lever
- Combination consists of the K-4380 bowl and the K-4433 tank
- Coordinates with other products in the Memoirs collection with Classic design
- Class Five® canister optimizes the flow out of the tank, harnessing gravity and the natural powerful reducing cascade of water to increase the power and effectiveness of the flush



Installation

- Supply line sold separately
- Standard 12" (305 mm) rough-in

Recommended Products/Accessories

- K-5588 Purefresh® Deodorizing elongated toilet seat
- K-5420 Low-Profile Bolt Caps
- K-23726 Drain treatment

Included Components

- K-4380 Elongated toilet bowl
- K-9167-L Trip Lever
- K-4733 Glenbury™ Quiet-Close™ elongated toilet seat

ADA

CSA B651

OBC

Codes/Standards

ASME A112.19.2/CSA B45.1
EPA WaterSense®
California Energy Commission (CEC)
ADA
ICC/ANSI A117.1
CSA B651
OBC

KOHLER® Toilets and Seats Limited Warranty

See website for detailed warranty information.

1-800-4KOHLER (1-800-456-4537)

Kohler Co. reserves the right to make revisions without notice to product specifications.

For the most current Specification Sheet, go to www.kohler.com USA or www.kohler.ca Canada

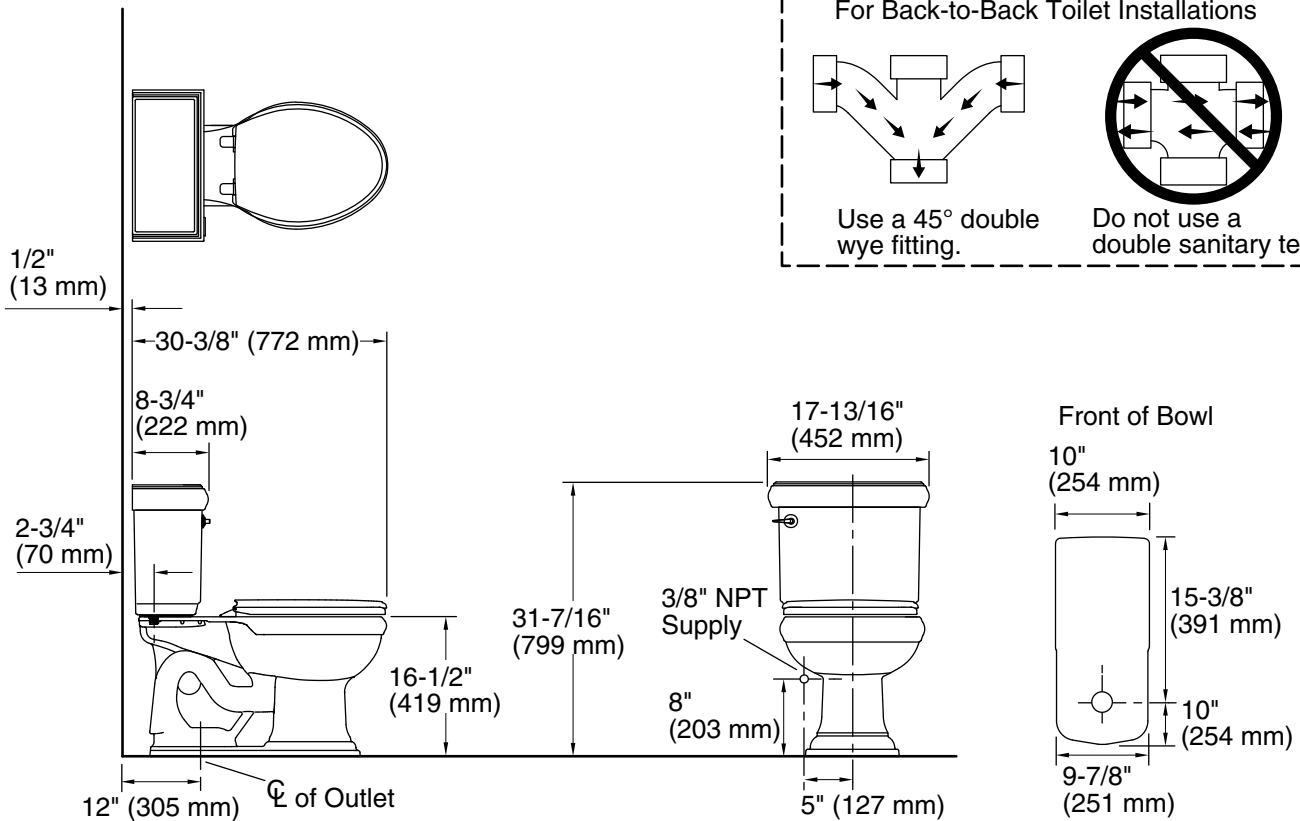
2-14-2025 22:10 - US/CA

THE BOLD LOOK
OF **KOHLER**®

KOHLER®

Memoirs® Classic

The Complete Solution® two-piece elongated toilet,
1.28 gpf
K-10493



Technical Information

All product dimensions are nominal.

Toilet type:	Floor-mount
Waste Outlet:	Floor
Bowl shape:	Elongated
Flush type:	Class Five
Trap passageway:	2-1/8" (54 mm)
Water surface size:	11-3/4" x 9-1/2" (298 mm x 241 mm)
Rim to water surface:	6-1/8" (156 mm)
Rough-in:	12" (305 mm)
Seat-mounting holes:	5-1/2" (140 mm)

Notes

Install this product according to the installation instructions.

For back-to-back toilet installations: Use only a 45° double wye fitting.

This model is acceptable for left-hand Accessible compartment installations only.

ADA, OBC, CSA B651 compliant when installed to the specific requirements of these regulations.

Plumbing codes may require elongated toilets and elongated, open-front seats in public bathrooms.

Accessibility standards may require controls to be located on the open side of the toilet.

1-800-4KOHLER (1-800-456-4537)

Kohler Co. reserves the right to make revisions without notice to product specifications.

For the most current Specification Sheet, go to www.kohler.com USA or www.kohler.ca Canada

2-14-2025 22:10 - US/CA

THE BOLD LOOK
OF **KOHLER**®