

# KOHLER® Faucets

Wall-mount bath spout with diverter, slip-fit connection

**Bancroft®**

**K-10589**

## Features

- 5-3/4" diverter bath spout with slip-fit connection
- Coordinates with Bancroft faucets, accessories, and showering components to complete your bathroom

## Material

- Premium metal construction for durability and reliability
- KOHLER® finishes resist corrosion and tarnishing

## Installation

- Bath- or deck-mount
- Wall-mount
- Slip-fit connection

## Recommended Products/Accessories

K-23723 Faucet cleaner



## Codes/Standards

ASME A112.18.1/CSA B125.1

IAPMO Certification

## KOHLER® Faucet Lifetime Limited Warranty

See website for detailed warranty information.

1-800-4KOHLER (1-800-456-4537)

Kohler Co. reserves the right to make revisions without notice to product specifications.

For the most current Specification Sheet, go to [www.kohler.com](http://www.kohler.com) USA or [www.kohler.ca](http://www.kohler.ca) Canada

10-21-2024 00:56 - US/CA

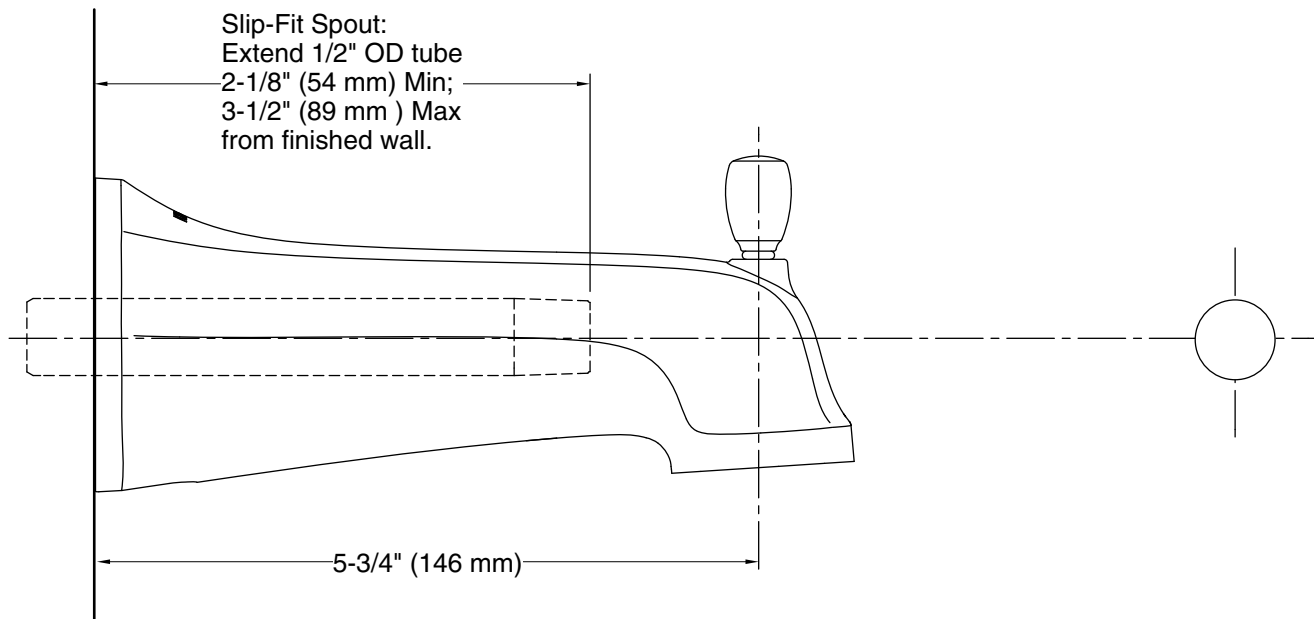
THE BOLD LOOK  
OF **KOHLER®**

# KOHLER Faucets

Wall-mount bath spout with diverter, slip-fit connection

**Bancroft®**

**K-10589**



## Technical Information

All product dimensions are nominal.

Drain included: No

### Spout:

Spout reach: 5-3/4" (146 mm)

### Handshower:

Rated maximum flow: 0 gal/min (0 l/min)

## Notes

Install this product according to the installation guide.

Install straight pipe or tube drop of 7" (178 mm) to 18" (457 mm) with single elbow between valve and wall-mount spout.