

KOHLER®

WAVE | K-10676

Touchless washdown 1.0 gpf urinal flushometer

Features

- Fixture-mount design
- Includes a 9V lithium battery



1-800-4KOHLER (1-800-456-4537)
Kohler Co. reserves the right to make revisions without notice to product specifications.
For the most current specification sheet, go to www.kohler.com USA or www.kohler.ca Canada.
4-15-2026 3:10 - US-CA

THE BOLD LOOK
OF **KOHLER**®

Codes/Standards

ADA, OBC, CSA B651 compliant when installed to the specific requirements of these regulations.

This product should be used with a WaterSense labeled counterpart with the same rated flush volume to ensure the complete system meets the requirements of this specification for water efficiency and performance.



ADA CSA B651 OBC

ASME A112.18.1/CSA B125.1

CSA B64

ASSE 1037/ASME A112.1037/CSA B125.37

DOE - Energy Policy Act 1992

EPA WaterSense®

ADA

ICC/ANSI A117.1

CSA B651

OBC

Pressure/Fixture Supply Requirements

Minimum Flowing Pressure: 25 psi (172.4 kPa)

Minimum Flow Rate: 10 gpm (37.9 l/min)

Material

- Brass

Recommended Products/Accessories

GP1118986 FLUSHOMETER EXTENSION KIT

Technology

- Electronic infrared sensor with WAVE technology for accurate activation
- Slow-closing piston technology

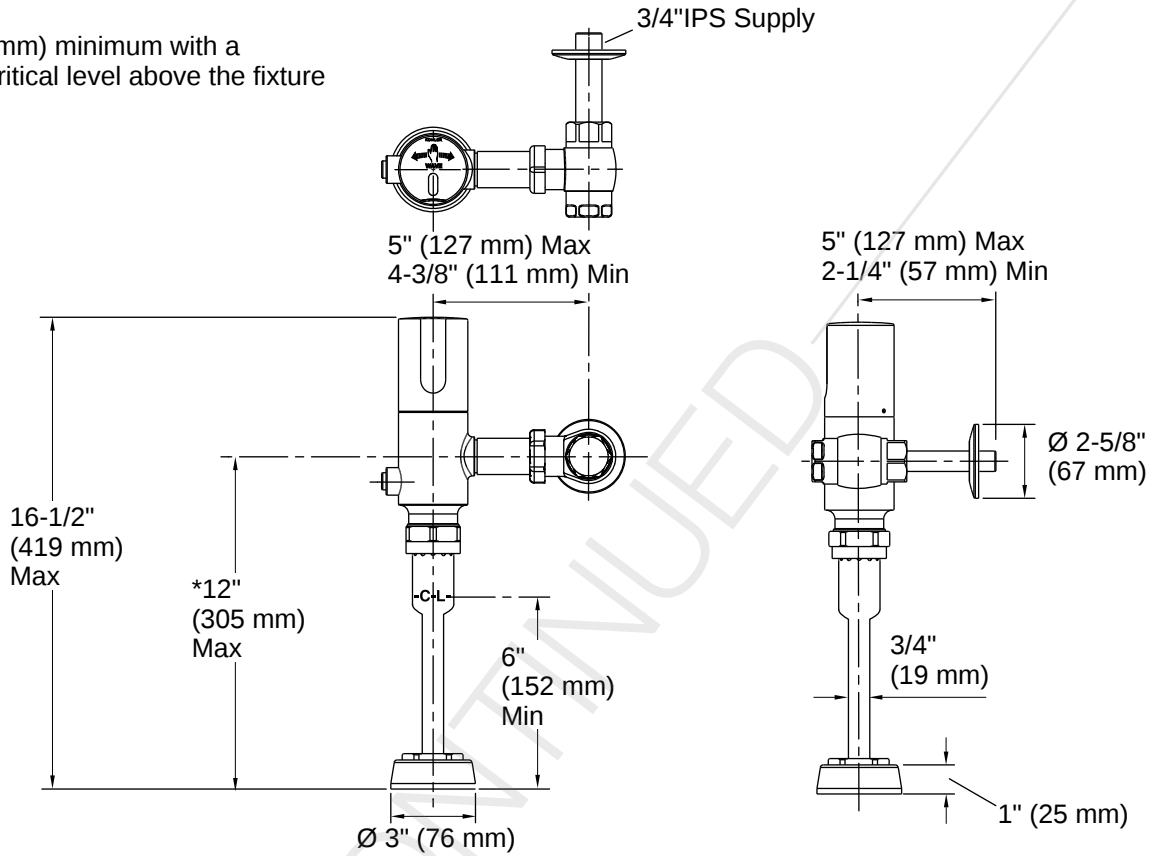
Warranty

See website for detailed warranty information.

KOHLER® One-Year Limited Warranty



*10-3/4" (273 mm) minimum with a
6" (152 mm) critical level above the fixture



Installation

- Intended for urinal installations with 3/4" (19 mm) spud coupling connection

Installation Notes

Install this product according to the installation instructions.

ADA, OBC, CSA B651 compliant when installed to the specific requirements of these regulations.

