

Features

- Performance showering packages offer increased functionality and simplify the ordering process
- Single lever handle provides on/off activation and temperature setting with a single operation
- Multifunction showerhead offers wide coverage, therapeutic massage, and soft aerated spray settings
- Multifunction handshower offers wide soft coverage, soft pulse, and soft aerated spray settings
- Includes handshower, showerhead, shower arm with diverter, shower hose, slidebar, and Rite-Temp® valve trim
- Coordinates with Devonshire faucets, accessories, and showering components to complete your bathroom
- Features a nonpositive shutoff: water-saving pause mode to temporarily reduce water flow

Material

- KOHLER finishes resist corrosion and tarnishing

Installation

- Wall-mount

Required Products/Accessories

K-8304 Series Rite-Temp® Valve & Cartridge Kits

or

K-8300 Series Rite-Temp® Valve Body Rough-ins

K-8305 Series Rite-Temp® Cartridges

Recommended Products/Accessories

K-23723 Faucet cleaner

Optional Products/Accessories

K-10350 Deep rough-in kit

K-10351 Test cap for K-8300 Series valve bodies

Included Components

1055527 Handshower Relaxing

K-349 Slidebar trim kit

K-8524 30" slidebar

K-9514 60" Shower Hose



Codes/Standards

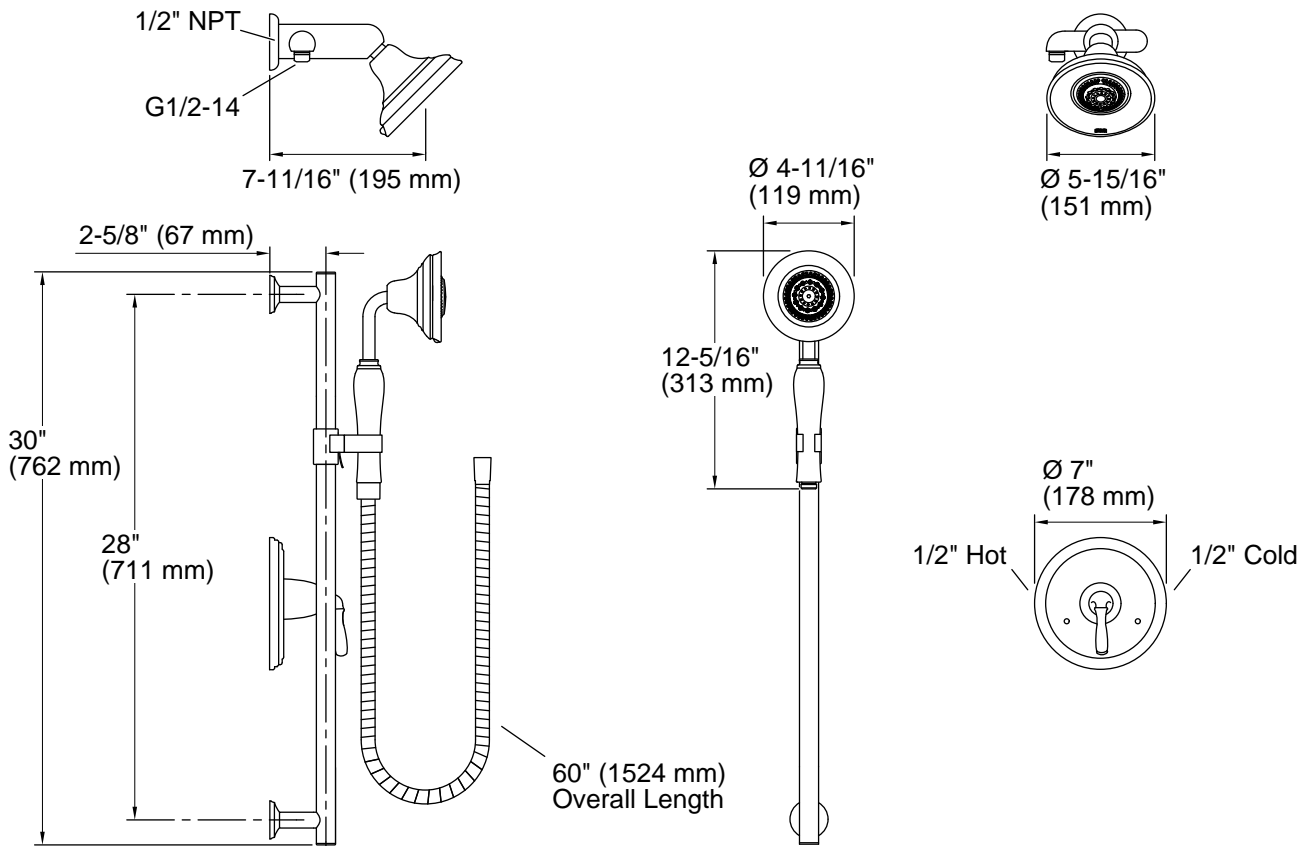
ASME A112.18.1/CSA B125.1

DOE - Energy Policy Act 1992

IAPMO Certification

KOHLER® Faucet Lifetime Limited Warranty

See website for detailed warranty information.



Technical Information

All product dimensions are nominal.

Handshower:

Rated maximum flow: 2.5 gal/min (9.5 l/min)

Showerhead/Body Spray:

Rated maximum flow: 2.5 gal/min (9.5 l/min)

Notes

Install this product according to the installation guide.

Install the Rite-Temp® valve according to the valve installation guide.

Avoid cross-flow conditions. Do not install shut-off device on either valve outlet.

Cap shower outlet if deck-mounted spout, diverter, or handshower is connected to the spout outlet.

Install straight pipe or tube drop of 7" (178 mm) to 18" (457 mm) with single elbow between valve and wall-mount spout.