

### Features

- Fixture-mount design
- Includes 1.5V AA batteries
- Retrofit models require a control stop and vacuum breaker

### Material

- Brass

### Technology

- Electronic infrared sensor with Tripoint<sup>®</sup> technology for accurate activation
- Slow-closing piston technology

### Installation

- Intended for toilet installations with 1-1/2" spud coupling connection

### Recommended Products/Accessories

K-23723 Faucet cleaner



ADA

CSA B651

OBC

### Codes/Standards

ASME A112.18.1/CSA B125.1

CSA B64

ASSE 1037/ASME A112.1037/CSA B125.37

ADA

ICC/ANSI A117.1

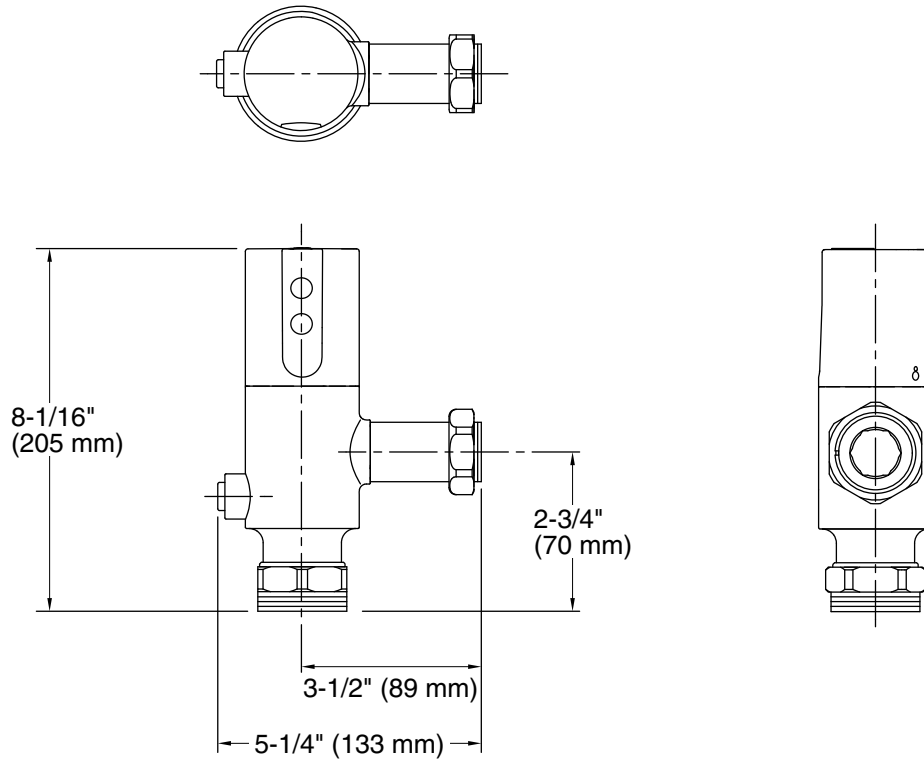
CSA B651

OBC

IAPMO Certification

### KOHLER<sup>®</sup> One-Year Limited Warranty

See website for detailed warranty information.



**Technical Information**

All product dimensions are nominal.

Power source: Battery - DC, included

**Pressure/fixture Supply Requirements**

Fixture pressure max (static): 80 psi (551.6 kPa)

Min flowing pressure: 25 psi (172.4 kPa)

Min flow rate: 25 gpm (94.6 lpm)

**Notes**

Install this product according to the installation guide.

ADA, OBC, CSA B651 compliant when installed to the specific requirements of these regulations.