

Features

- Fixture-mount design
- Includes 1.5V AA batteries
- Retrofit models require a control stop and vacuum breaker

Material

- Brass

Technology

- Electronic infrared sensor with Tripoint® technology for accurate activation
- Slow-closing piston technology

Installation

- Intended for toilet installations with 1-1/2" spud coupling connection

Recommended Products/Accessories

K-23723 Faucet cleaner



ADA

CSA B651

OBC

Codes/Standards

ASME A112.18.1/CSA B125.1

CSA B64

CSA B125.3

ASSE 1037/ASME A112.1037/CSA B125.37

All applicable US Federal and State material regulations

ADA

ICC/ANSI A117.1

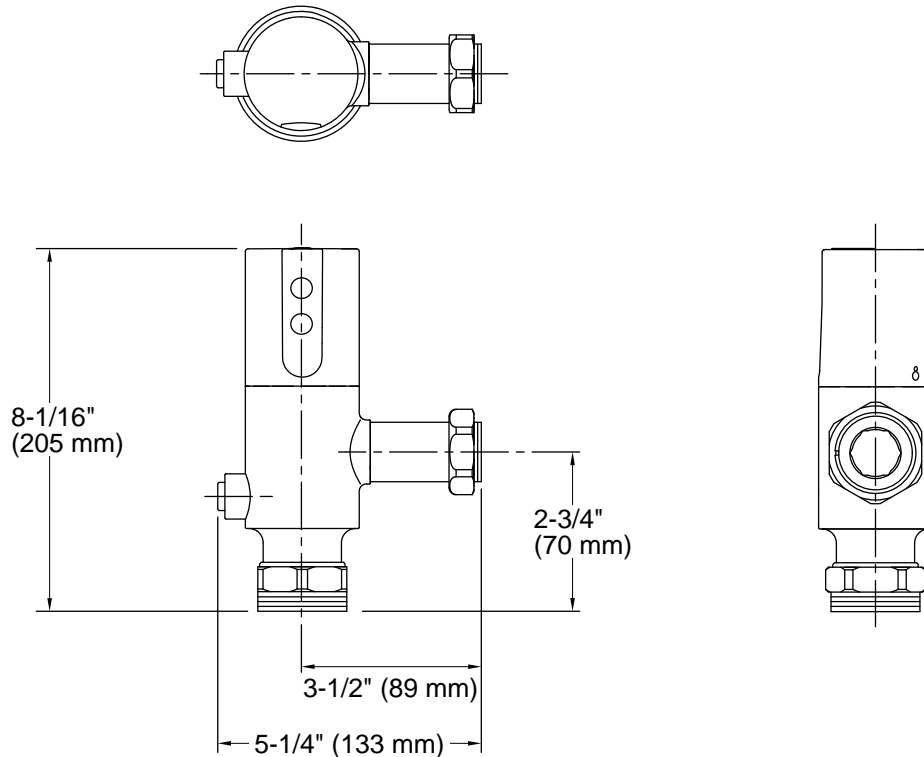
CSA B651

OBC

IAPMO Certification

KOHLER® One-Year Limited Warranty

See website for detailed warranty information.



Technical Information

All product dimensions are nominal.

Power source: Battery - DC, included

Pressure/fixture Supply Requirements

Fixture pressure max (static): 80 psi (551.6 kPa)

Min flowing pressure: 25 psi (172.4 kPa)

Min flow rate: 25 gpm (94.6 lpm)

Notes

Install this product according to the installation guide.

ADA, OBC, CSA B651 compliant when installed to the specific requirements of these regulations.