



**Expanse®**  
60" x 32" alcove bath, left drain  
**K-1100-LA**

**Features**

- Curved basin creates a comfortable bathing experience
- Integral flange helps prevent water from seeping behind wall and simplifies alcove installation
- Textured bottom surface

**Material**

- Acrylic

**Installation**

- Left drain
- Alcove

**Required Products/Accessories**

K-T37391 Rotary-turn bath drain trim

K-T37392 Rotary-turn bath drain trim

or

K-37385 rough-in cable drain, PVC, 45" cable

K-78439 45" cable bath drain

**Recommended Products/Accessories**

K-7213 27" Cable Bath Drain

K-7214 27" Cable Bath Drain

K-23726 Drain treatment

K-23732 Tub & shower cleaner

K-31796 Above-the-floor bath drain kit

K-31798 Bath drain kit



**Codes/Standards**

CSA B45.5/IAPMO Z124

ASTM E162

ASTM E662

IAPMO Certification

**KOHLER® Plastic Baths and Receptors Lifetime Limited Warranty**

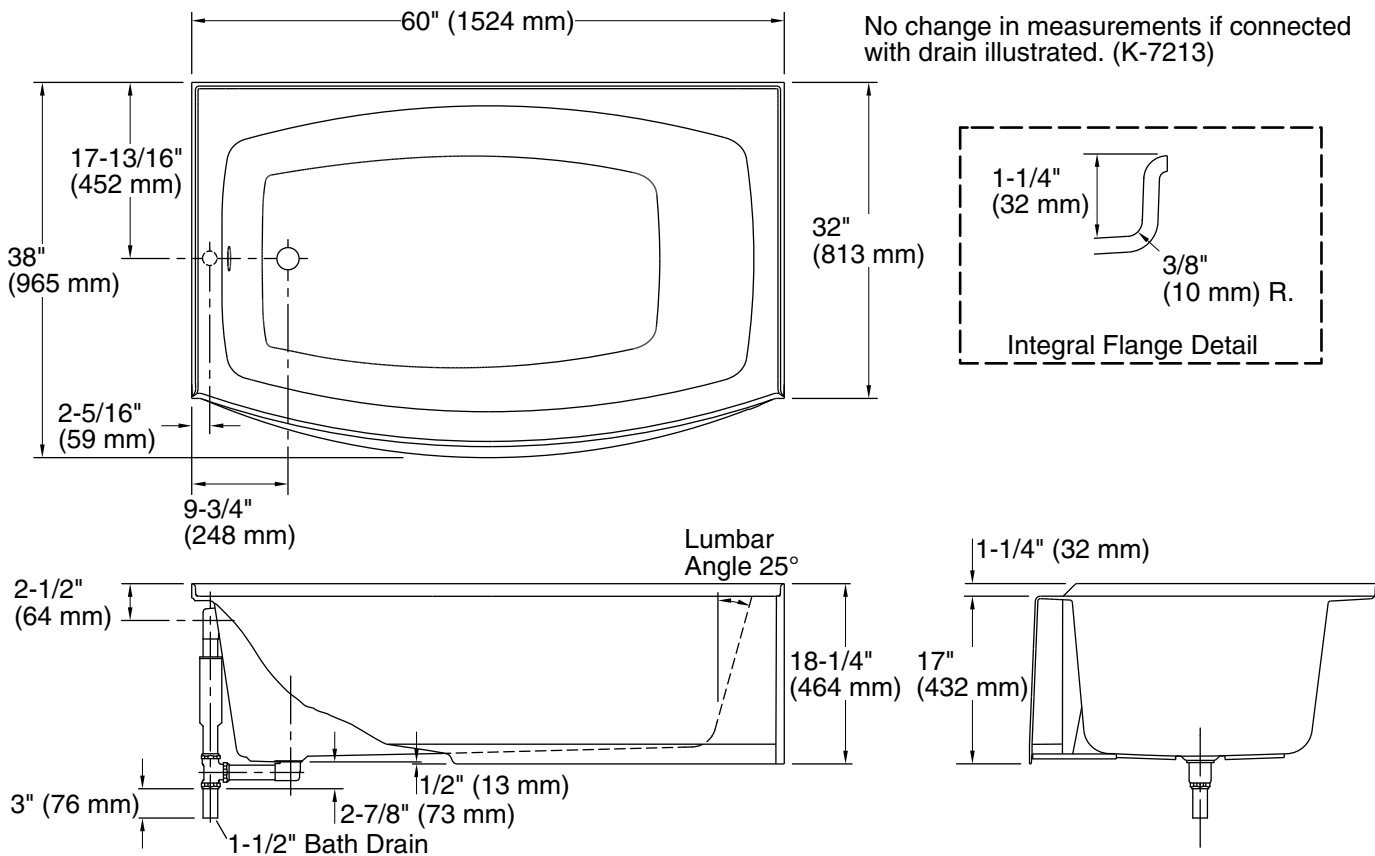
See website for detailed warranty information.

**Available Colors/Finishes**

*Color tiles intended for reference only.*

**Color Code Description**

	0	White
---	---	-------



### Technical Information

All product dimensions are nominal.

Drain location:	Left
Basin area, bottom:	45-11/16" x 27-5/8" (1160 mm x 702 mm)
Basin area, top:	54" x 31" (1372 mm x 787 mm)
Weight:	78 lbs (35.4 kg)
Minimum floor load:	38 lbs/ft <sup>2</sup> (185.5 kg/m <sup>2</sup> )
Water depth:	12-5/8" (321 mm)
Water capacity:	60 gal (227.1 L)

### Notes

Measure your actual product for rough-in details.

Install this product according to the installation instructions.

The hot water supply should be 70% of the capacity of the bath or greater. Installations will vary.