



Marrakesh™ Bol® | K-11000-BU

Single-hole bathroom sink faucet

Features

- Ceramic spout with Marrakesh™ design
- Brushed nickel lever handle and valve cover
- One-piece, self-contained ceramic disc valve allows both volume and temperature control.
- Touch-activated drain with tailpiece
- 1.5 gpm (5.7 lpm) maximum flow rate at 60 psi (4.14 bar)



1-800-4KOHLER (1-800-456-4537)
Kohler Co. reserves the right to make revisions without notice to product specifications.
For the most current specification sheet, go to www.kohler.com USA or www.kohler.ca Canada.
5-31-2026 0:22 - US-CA

THE BOLD LOOK
OF **KOHLER**®

Codes/Standards

ADA, OBC, CSA B651 compliant when installed to the specific requirements of these regulations.



ADA CSA B651 OBC

ASME A112.18.1/CSA B125.1
NSF/ANSI/CAN 372
NSF/ANSI/CAN 61
DOE - Energy Policy Act 1992
EPA WaterSense®
NSF/ANSI/CAN 61|NSF/ANSI/CAN 372
ADA
ICC/ANSI A117.1
CSA B651
OBC

Technical Information

All product dimensions are nominal.

Handle

Handle Style/ Type: Lever

Spout

Spout Reach: 4-1/2" (114 mm)

Flow Rate

Faucet Flow Rate: 1.5 gpm (5.7 l/min)

Recommended Products/Accessories

K-23726 Drain treatment

K-23723 Faucet cleaner

Warranty

See website for detailed warranty information.

KOHLER® Faucet Lifetime Limited Warranty

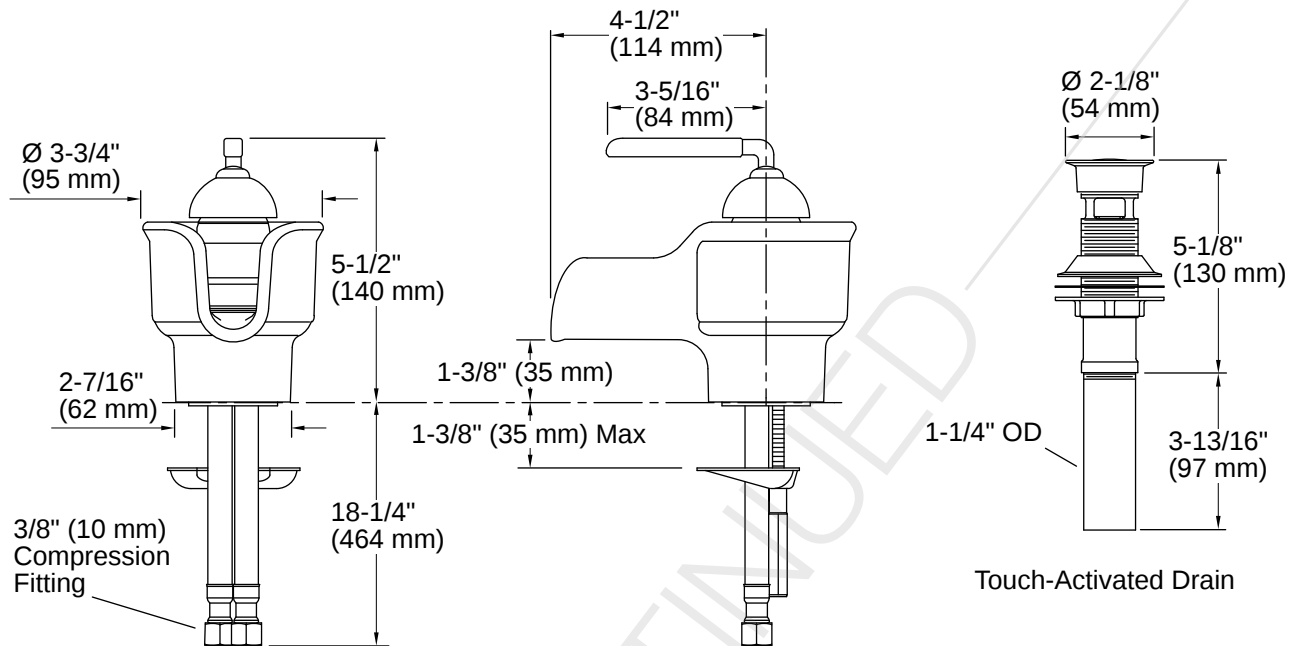


1-800-4KOHLER (1-800-456-4537)

Kohler Co. reserves the right to make revisions without notice to product specifications.

For the most current specification sheet, go to www.kohler.com USA or www.kohler.ca Canada.

5-31-2026 0:22 - US-CA



Installation

- Flexible supply lines simplify installation
- Single-hole mounting

Installation Notes

Install this product according to the installation instructions.

ADA compliant for handles only.
 ADA, OBC, CSA B651 compliant when installed to the specific requirements of these regulations.

