

Features

- Ceramic spout
- Polished Chrome lever handle and valve cover
- One-piece, self-contained ceramic disc valve allows both volume and temperature control.
- Touch-activated drain with tailpiece
- 3-7/8" (98 mm) spout reach
- Stationary spout
- 1.5 gpm (5.7 lpm) maximum flow rate at 60 psi (4.14 bar)

Installation

- Single-hole installation

Recommended Products/Accessories

K-23726 Drain treatment
K-23723 Faucet cleaner



ADA

CSA B651

OBC

Codes/Standards

ASME A112.18.1/CSA B125.1

NSF/ANSI/CAN 61

NSF/ANSI/CAN 372

All applicable US Federal and State material regulations

DOE - Energy Policy Act 1992

EPA WaterSense®

ADA

ICC/ANSI A117.1

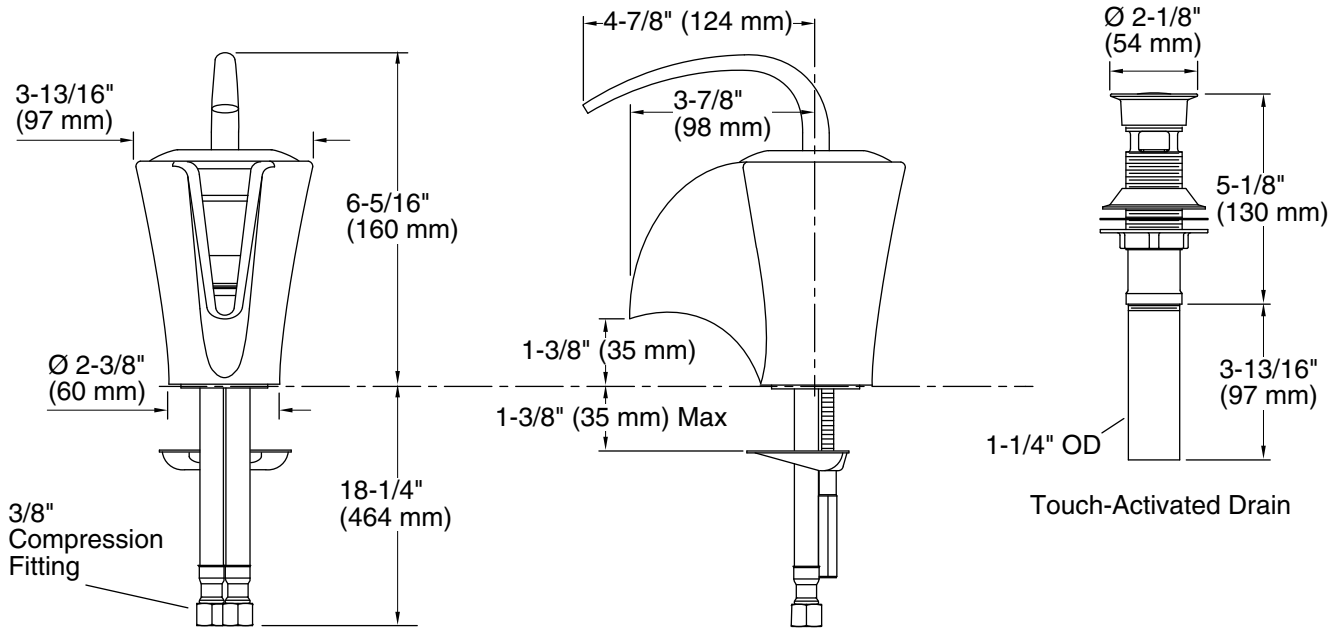
CSA B651

OBC

IAPMO Certification

KOHLER® Faucet Lifetime Limited Warranty

See website for detailed warranty information.



Technical Information

All product dimensions are nominal.

Faucet flow rate: 1.5 gal/min (5.7 l/min)

Drain included: Yes

Spout:

Spout reach: 3-7/8" (98 mm)

Notes

Install this product according to the installation guide.

ADA compliant for handles only.

ADA, OBC, CSA B651 compliant when installed to the specific requirements of these regulations.