

Features

- Oval basin creates a spacious bathing experience
- Integral lumbar support and armrests offer extra comfort while bathing
- Integral flange helps prevent water from seeping behind wall and simplifies alcove installation

Material

- Acrylic

Installation

- Right drain
- Alcove

Required Products/Accessories

K-T37391 Rotary-turn bath drain trim

K-T37392 Rotary-turn bath drain trim

or

K-37383 Rough-in cable bath drain, PVC, 30" cable with tubing

K-78438 30" cable bath drain

Recommended Products/Accessories

K-11677 Bath Drain

K-23726 Drain treatment

K-23732 Tub & shower cleaner



Codes/Standards

CSA B45.5/IAPMO Z124

ASTM E162

ASTM E662

IAPMO Certification

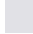

KOHLER® Plastic Baths and Receptors Lifetime Limited Warranty

See website for detailed warranty information.

Available Colors/Finishes

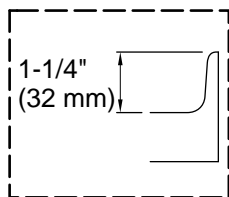
Color tiles intended for reference only.

Color	Code	Description
-------	------	-------------

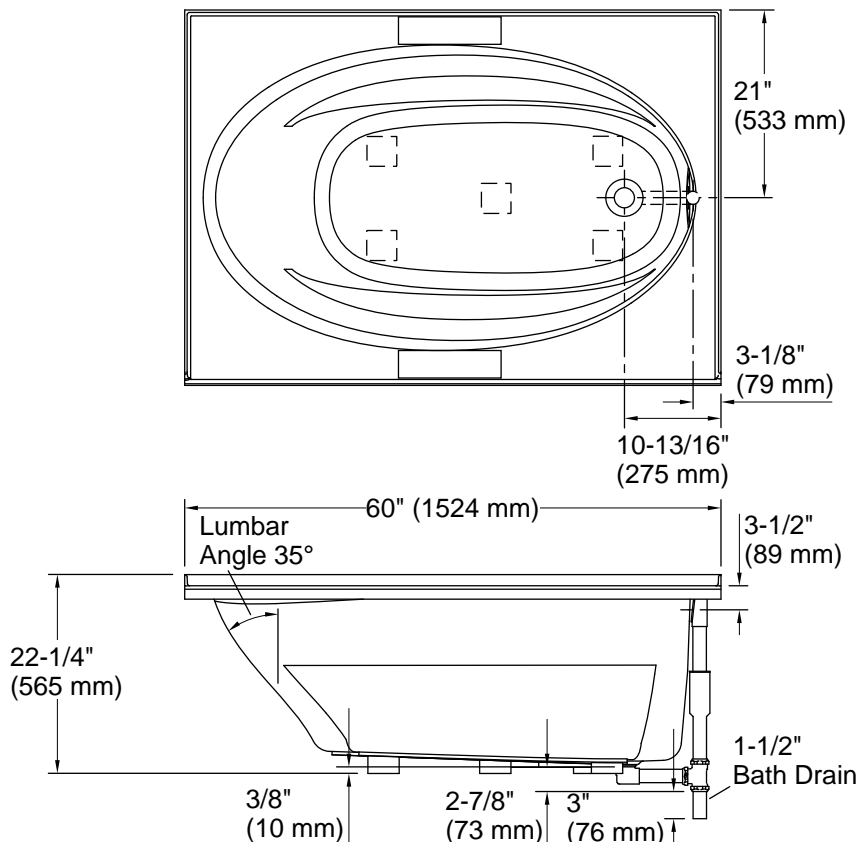
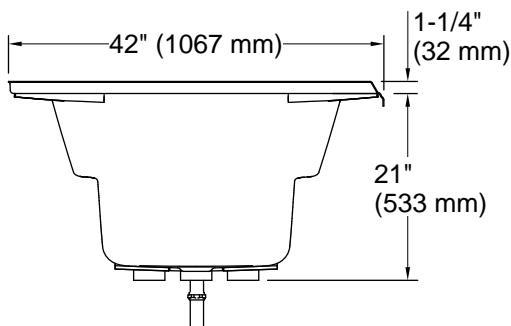
	0	White
	96	Biscuit

No change in measurements if connected with drain illustrated. (K-11677)

 Recommended Faucet Location



Tile Flange Detail



Technical Information

All product dimensions are nominal.

Drain location:	Right
Basin area, bottom:	41" x 20-1/2" (1041 mm x 521 mm)
Basin area, top:	53-1/2" x 32-1/8" (1359 mm x 816 mm)
Weight:	80 lbs (36.3 kg)
Minimum floor load:	33 lbs/ft ² (161.1 kg/m ²)
Water depth:	15" (381 mm)
Water capacity:	57 gal (215.8 L)
Cutout:	Drop-in, 58-1/2" x 40-1/2" (1486 mm x 1029 mm)
Minimum flat for door:	3-1/4" (83 mm)

Notes

Measure your actual product for rough-in details.

Install this product according to the installation instructions.

The hot water supply should be 70% of the capacity of the bath or greater. Installations will vary.

If installing a rim-mount faucet, make sure there is no interference above or below the deck before drilling any holes.