



# Windward®

72" x 42" alcove bath, right drain  
K-1115-R

## Features

- Oval basin creates a spacious bathing experience
- Spacious design accommodates up to two bathers
- Integral lumbar support and armrests offer extra comfort while bathing
- Integral flange helps prevent water from seeping behind wall and simplifies alcove installation

## Material

- Acrylic

## Installation

- Right drain
- Alcove

## Required Products/Accessories

K-T37391 Rotary-turn bath drain trim  
K-T37392 Rotary-turn bath drain trim

or

K-37383 Rough-in cable bath drain, PVC, 30" cable with tubing  
K-78438 30" cable bath drain

## Recommended Products/Accessories

K-11677 Bath Drain  
K-23726 Drain treatment  
K-23732 Tub & shower cleaner  
K-31796 Above-the-floor bath drain kit  
K-31798 Bath drain kit



## Codes/Standards

CSA B45.5/IAPMO Z124  
ASTM E162  
ASTM E662  
IAPMO Certification

**KOHLER® Plastic Baths and Receptors Lifetime Limited Warranty**  
See website for detailed warranty information.

## Available Colors/Finishes

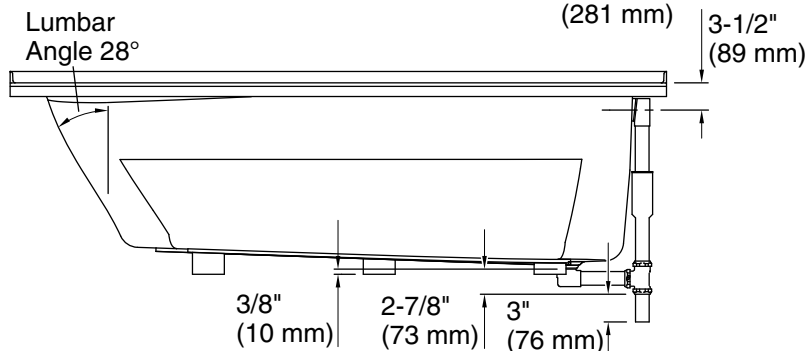
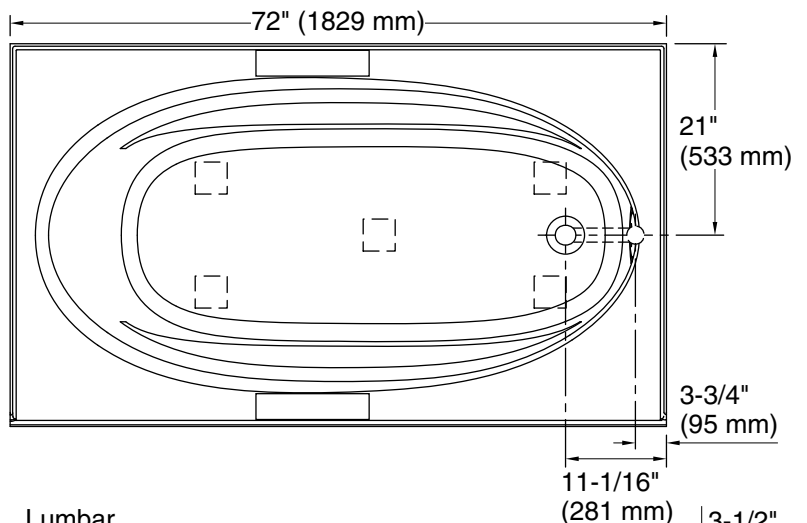
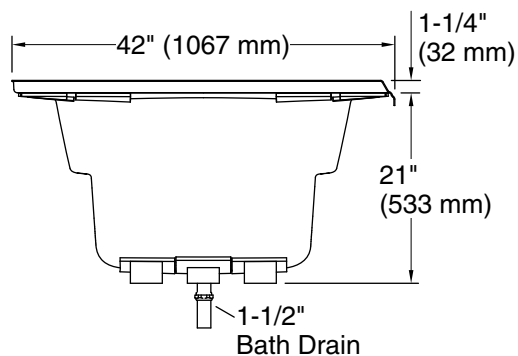
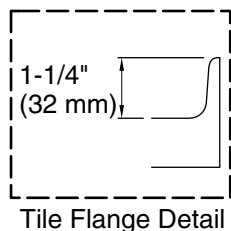
*Color tiles intended for reference only.*

Color	Code	Description
-------	------	-------------

	0	White
---	---	-------

No change in measurements if connected with drain illustrated. (K-11677)

 Recommended Faucet Location



### Technical Information

All product dimensions are nominal.

Drain location:	Right
Basin area, bottom:	55" x 23-1/4" (1397 mm x 591 mm)
Basin area, top:	64" x 32" (1626 mm x 813 mm)
Weight:	100 lbs (45.4 kg)
Minimum floor load:	38 lbs/ft <sup>2</sup> (185.5 kg/m <sup>2</sup> )
Water depth:	15" (381 mm)
Water capacity:	78.5 gal (297.2 L)
Minimum flat for door:	3-1/16" (78 mm)

### Notes

Measure your actual product for rough-in details.

Install this product according to the installation instructions.

The hot water supply should be 70% of the capacity of the bath or greater. Installations will vary.

If installing a rim-mount faucet, make sure there is no interference above or below the deck before drilling any holes.