



Underscore®
 60" x 30" alcove bath with Bask® heated surface, left
 drain
K-1121-LW

Features

- Bask® heated surface creates spa-like relaxation with soothing warmth on your back, shoulders, and neck
- Customize the heat with three adjustable settings
- Integral lumbar support
- Slotted overflow allows for deep soaking
- Integral flange helps prevent water from seeping behind wall and simplifies alcove installation

Material

- Acrylic

Installation

- Left drain
- Undermount
- Alcove
- Requires 110 V electrical service

Required Products/Accessories

K-7271 Brass Slotted Overflow Bath Drain

or

K-7272 PVC Slotted Overflow Bath Drain

Recommended Products/Accessories

- K-1491 Bath/Whirlpool Pillow
- K-1601 Bath/whirlpool footstop, removable
- K-23726 Drain treatment
- K-23732 Tub & shower cleaner
- K-31797 Slotted overflow bath drain kit
- K-31795 Slotted overflow above-the-floor bath drain kit



ADA

Codes/Standards





- CSA B45.5/IAPMO Z124
- ASTM E162
- ASTM E662
- ADA
- ICC/ANSI A117.1
- IAPMO Certification
- cUL Listed
- UL Listed

KOHLER® Plastic Baths and Receptors Lifetime Limited Warranty
KOHLER® Hydrotherapy Components Five-Year Limited Warranty

See website for detailed warranty information.

Available Colors/Finishes

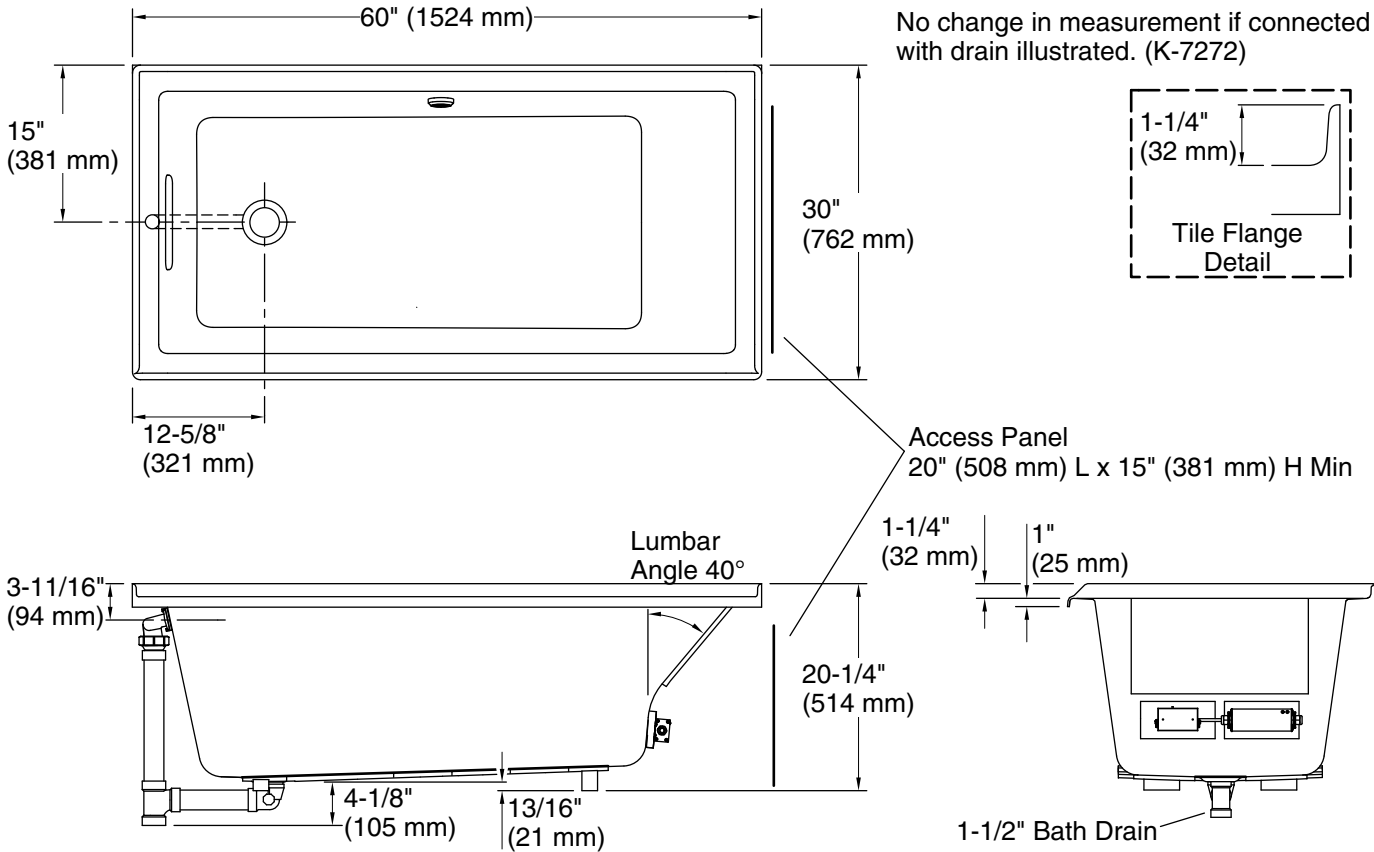
Color tiles intended for reference only.

Color	Code	Description
	0	White
	96	Biscuit
	95	Ice™ Grey
	7	Black Black™



Underscore®

60" x 30" alcove bath with Bask® heated surface, left drain
K-1121-LW



Required Electrical Service

One circuit required, protected with Class A Ground-Fault Circuit-Interrupter (GFCI). Outside North America, this device may be known as a Residual Current Device (RCD).

Heated Surface: 120 V, 15 A, 60 Hz

Technical Information

All product dimensions are nominal.

- Drain location: Left
- Basin area, bottom: 42-7/16" x 20" (1078 mm x 508 mm)
- Basin area, top: 54-5/16" x 24-1/4" (1380 mm x 616 mm)
- Weight: 81 lbs (36.7 kg)
- Minimum floor load: 42 lbs/ft² (205.1 kg/m²)
- Water depth: 15-1/8" (384 mm)
- Water capacity: 59.8 gal (226.4 L)
- Electrical component rating: Heated Surface: 120 V, 0.5 A, 60 Hz
- Minimum flat for door: 1-15/16" (49 mm)

Notes

- Measure your actual product for rough-in details.
- Install this product according to the installation instructions.
- The hot water supply should be 70% of the capacity of the bath or greater. Installations will vary.
- ADA compliant when installed to the specific requirements of these regulations.