



60" x 32" drop-in whirlpool bath with and Bask® heated surface  
**Archer®**  
**K-1122-W1**

**Features**

- Bask® heated surface creates spa-like relaxation with soothing warmth on your back, shoulders, and neck
- Three heat settings allow you to customize the surface temperature
- Single-speed whirlpool offers performance and value with 8 fully adjustable jets
- Hydromassage flow and direction can be controlled at each jet
- Comfort Depth® design offers a convenient 19" step-over height while retaining the same depth as a standard 21" bath
- Integral lumbar support
- Slotted overflow allows for deep soaking
- Textured bottom surface
- Coordinates with other products in the Archer collection

**Material**

- Acrylic

**Hydrotherapy**

- Whirlpool

**Installation**

- Reversible drain
- Drop-in

**Required Products/Accessories**

K-7271 Brass Slotted Overflow Bath Drain

or

K-7272 PVC Slotted Overflow Bath Drain

**Recommended Products/Accessories**

K-23726 Drain treatment

K-23732 Tub & shower cleaner

K-31797 Slotted overflow bath drain kit

K-31795 Slotted overflow above-the-floor bath drain kit



**Codes/Standards**

CSA B45.5/IAPMO Z124

ASTM E162

ASTM E662





IAPMO Certification

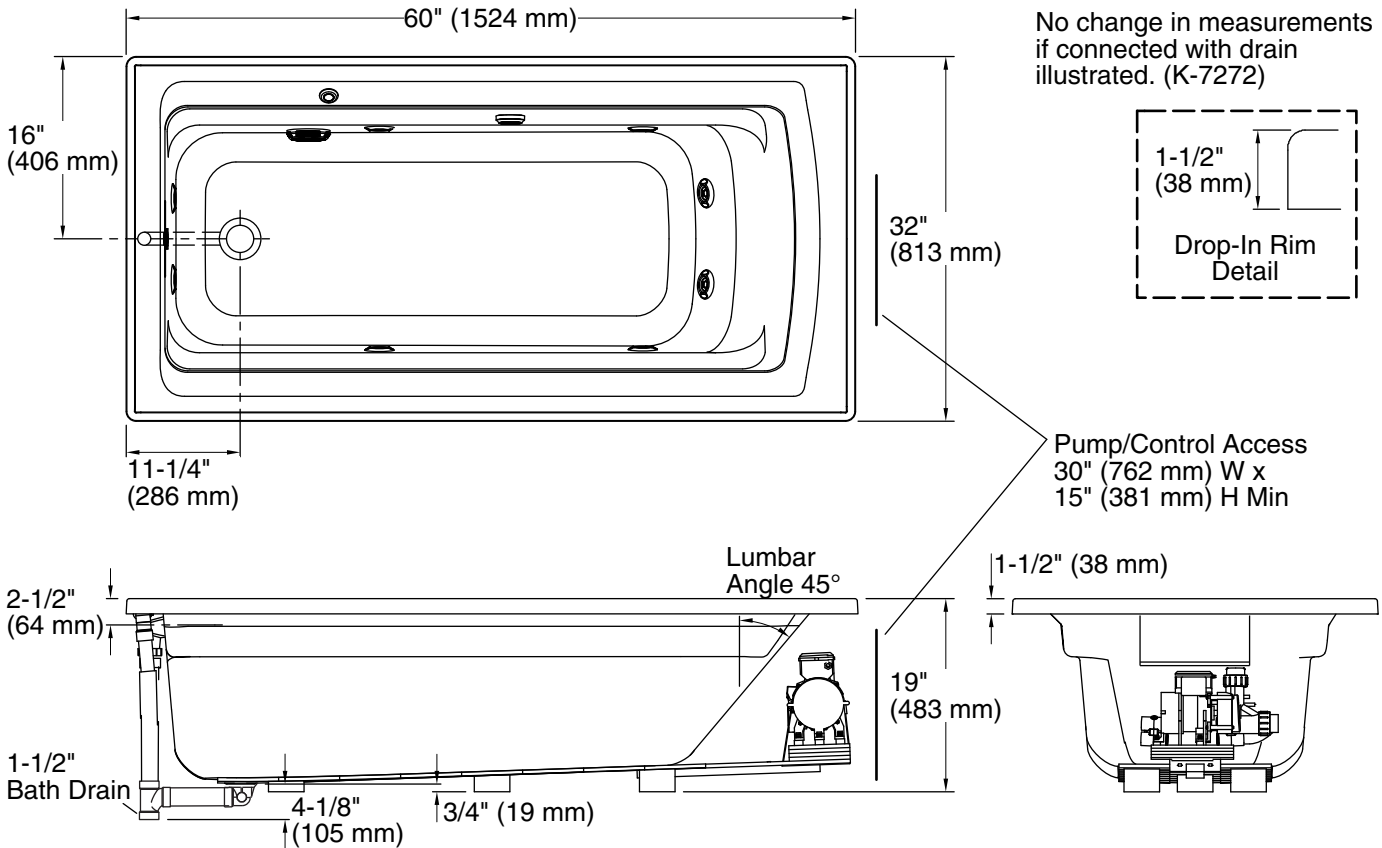
**KOHLER® Plastic Baths and Shower Bases Lifetime Limited Warranty**  
**KOHLER® Hydrotherapy Components Five-Year Limited Warranty**

See website for detailed warranty information.

**Available Colors/Finishes**

*Color tiles intended for reference only.*

| Color   | Code | Description  |
|---|------|--------------|
|  | 0    | White        |
|  | 96   | Biscuit      |
|  | 95   | Ice™ Grey    |
|  | 7    | Black Black™ |



### Required Electrical Service

One dedicated circuit required, protected with Class A Ground-Fault Circuit-Interrupter (GFCI). Outside North America, this device may be known as a Residual Current Device (RCD).

Pump, Heated            120 V, 15 A, 60 Hz  
Surface:

### Technical Information

All product dimensions are nominal.

Drain location:            Reversible  
Basin area, bottom:      45-1/8" x 19-11/16" (1146 mm x 500 mm)  
Basin area, top:         52-3/4" x 25-5/16" (1340 mm x 643 mm)  
Weight:                    116 lbs (52.6 kg)  
Minimum floor load:     46 lbs/ft<sup>2</sup> (224.6 kg/m<sup>2</sup>)  
Water depth:             15" (381 mm)  
Water capacity:         58 gal (219.6 L)  
Cutout:                    Drop-in, 58-1/2" x 30-1/2" (1486 mm x 775 mm)  
Electrical component    Pump: 120 V, 7 A, 60 Hz  
rating:                    Heated Surface: 120 V, 0.5 A, 60 Hz

### Notes

Measure your actual product for rough-in details.

Install this product according to the installation instructions.

The hot water supply should be 70% of the capacity of the bath or greater. Installations will vary.

This product is designed for drop-in installation only. It is not suited for use in a three-wall alcove with an overhead shower.