

### Features

- Integral lumbar support
- Slotted overflow allows for deep soaking
- 60" (1524 mm) x 32" (813 mm) x 21" (533 mm)

### Material

- Acrylic

### Installation

- Drop-in or undermount
- Reversible drain

### Required Products/Accessories

K-7271 Brass Slotted Overflow Bath Drain

or

K-7272 PVC Slotted Overflow Bath Drain

### Recommended Products/Accessories

K-590 5' under-mount installation kit

K-1601 Bath/whirlpool footstop, removable

K-1177 Vinyl Tiling-in Bead

K-23726 Drain treatment

K-23732 Tub & shower cleaner

K-31797 Slotted overflow bath drain kit

K-31795 Slotted overflow above-the-floor bath drain kit



### Codes/Standards

CSA B45.5/IAPMO Z124

ASTM E162

ASTM E662





IAPMO Certification

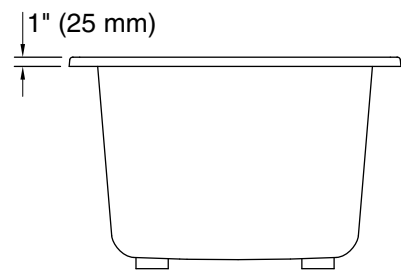
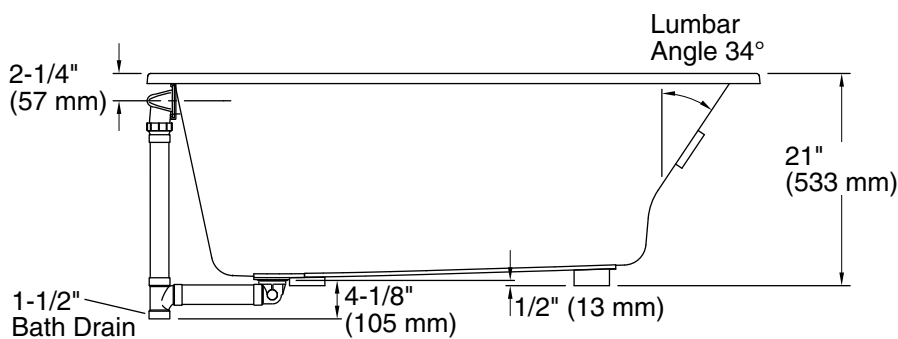
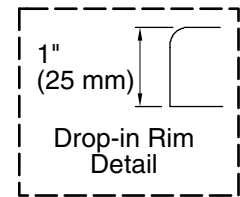
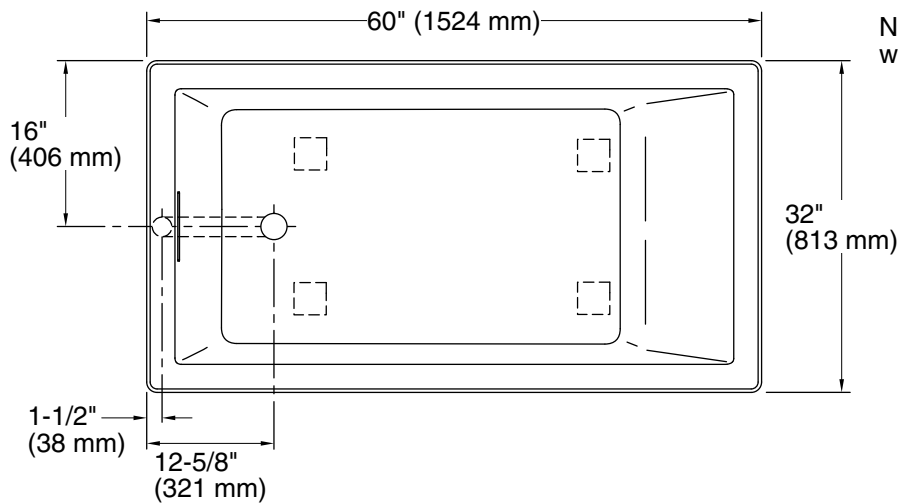
### KOHLER® Plastic Baths and Shower Bases Lifetime Limited Warranty

See website for detailed warranty information.

### Available Colors/Finishes

*Color tiles intended for reference only.*

Color	Code	Description
	0	White
	96	Biscuit
	95	Ice™ Grey
	7	Black Black™



### Technical Information

All product dimensions are nominal.

Drain location:	Reversible
Basin area, bottom:	42" x 23-1/2" (1067 mm x 597 mm)
Basin area, top:	55-1/8" x 27-1/8" (1400 mm x 689 mm)
Weight:	75 lbs (34 kg)
Minimum floor load:	58 lbs/ft <sup>2</sup> (283.2 kg/m <sup>2</sup> )
Water depth:	17-1/8" (435 mm)
Water capacity:	81 gal (306.6 L)
Cutout:	Drop-in, 58-1/2" x 30-1/2" (1486 mm x 775 mm)
Minimum flat for door:	2" (51 mm)

### Notes

Measure your actual product for rough-in details.

Install this product according to the installation instructions.

The hot water supply should be 70% of the capacity of the bath or greater. Installations will vary.

Kit is required for under-mount installations (sold separately).