

Features

- Spacious design accommodates up to two bathers
- Integral lumbar support and armrests offer extra comfort while bathing
- Integral flange helps prevent water from seeping behind wall and simplifies alcove installation

Material

- Acrylic

Installation

- Alcove

Required Products/Accessories

K-T37391 Rotary-turn bath drain trim

K-T37392 Rotary-turn bath drain trim

or

K-37383 Rough-in cable bath drain, PVC, 30" cable with tubing

K-78438 30" cable bath drain

or

K-37385 rough-in cable drain, PVC, 45" cable

K-78439 45" cable bath drain

Recommended Products/Accessories

K-1491 Bath/Whirlpool Pillow

K-23726 Drain treatment

K-23732 Tub & shower cleaner

K-7265 Brass toe tap bath drain

K-7213 27" Cable Bath Drain



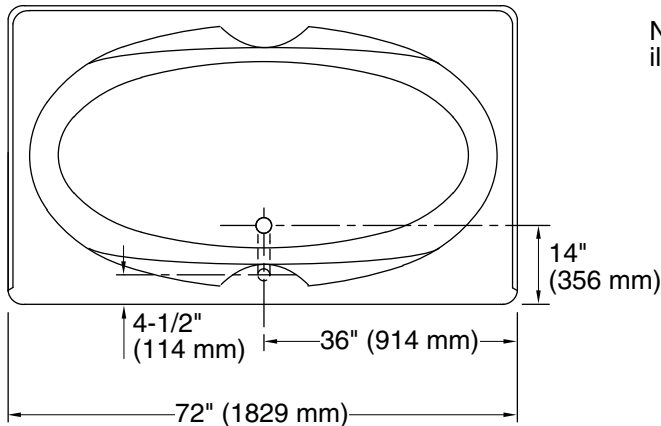
Codes/Standards

CSA B45.5/IAPMO Z124

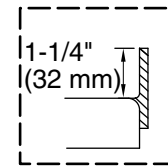
IAPMO Certification

KOHLER® Plastic Baths and Receptors Lifetime Limited Warranty

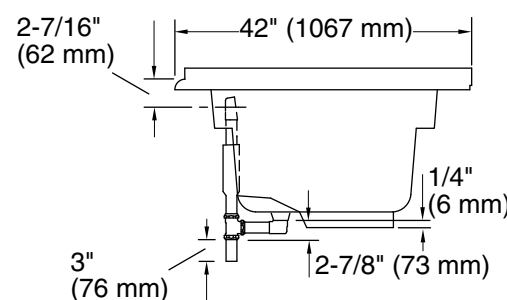
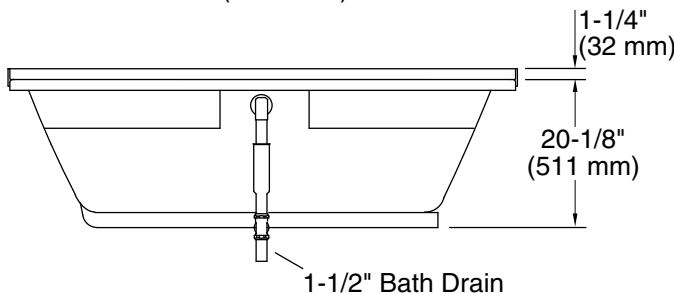
See website for detailed warranty information.



No change in measurements if connected with drain illustrated. (K-11677)



Tile Flange Detail



Technical Information

All product dimensions are nominal.

Drain location:	Center
Basin area, bottom:	53" x 26" (1346 mm x 660 mm)
Basin area, top:	65" x 34" (1651 mm x 864 mm)
Weight:	51 lbs (23.1 kg)
Minimum floor load:	35 lbs/ft ² (170.9 kg/m ²)
Water depth:	15" (381 mm)
Water capacity:	78 gal (295.3 L)
Cutout:	Drop-in, 70-1/2" x 40-1/2" (1791 mm x 1029 mm)
Minimum flat for door:	2-11/16" (69 mm)

Notes

Measure your actual product for rough-in details.

Install this product according to the installation instructions.

The hot water supply should be 70% of the capacity of the bath or greater. Installations will vary.